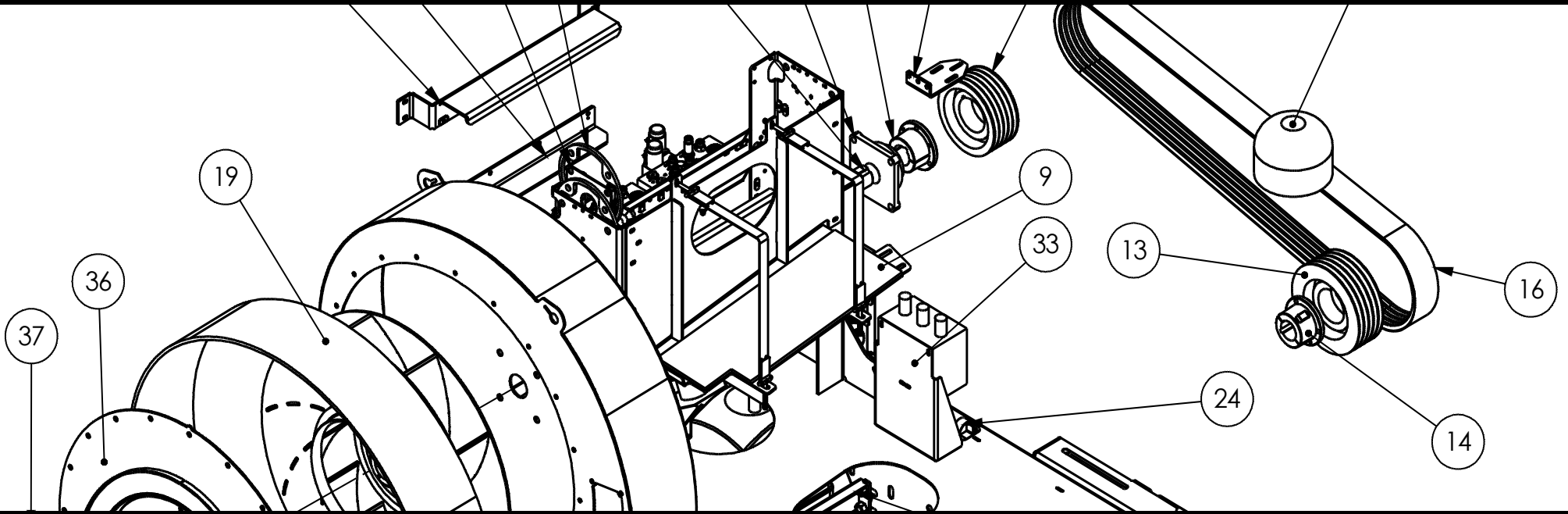


Schwarze Industries, Inc.

# A4 STORM



## Parts Manual



revised 07/20

**A** MEMBER OF THE  
ALAMO GROUP  
ALWAYS ON THE CUTTING EDGE™

© Schwarze Industries

# Table of Contents

## In This Manual

<b>1 Instrumentation</b> .....	<b>4</b>
CONSOLE .....	5
CONSOLE .....	6
<b>2 Debris Pickup</b> .....	<b>7</b>
204P62 - SWEEPING HEAD .....	8
204Q11 - HEAD DELUGE .....	9
66665 - FLAP KIT .....	10
<b>3 Hopper</b> .....	<b>11</b>
204M32 - DELUGE BLOCK OFF PLATE .....	12
204R22 - LOAD WEIGHT INDICATOR .....	13
204S28 - STROBE BACK .....	14
204L69 - HOPPER, SS .....	15
204Q73 - INSPECTION DOOR .....	17
203Q56 - HAND HOSE EXTENSION .....	18
204Q47 - SHROUD, DIESEL, SS .....	19
204Q88 - SHROUD, DIESEL, MS .....	20
204Q82 - SHROUD GAS, SS .....	21
204Q80 - SHROUD GAS, MS .....	22
204L82 - HOPPER DELUGE .....	23
204S38 - HOPPER SHAKER .....	24
204M34 - HAND HOSE & COVER PLATE .....	25
204N64 - HAND HOSE .....	26
204L83 - HOPPER DRAIN .....	27
204Q87 - HOPPER, MS .....	28
<b>4 Broom(s)</b> .....	<b>30</b>
204M91 - LH GUTTER BROOM, GAS .....	31
203V96 - DUST SUPPRESSION, GB .....	32
204M51 - LH GUTTER BROOM, DIESEL .....	33
204M50 - RH GUTTER BROOM, DIESEL .....	34
204M90 - RH GUTTER BROOM, GAS .....	35
66082 - MANIFOLD, DO2 W/G/B CIR. ....	1
204M47 - TILT LH GUTTER BROOM .....	2

204M48 - TILT RH GUTTER BROOM .....	3
203414 - GEO LH GUTTER BROOM .....	4
203410 - GEO RH GUTTER BROOM .....	5
<b>5 Body</b> .....	<b>6</b>
204F64 - AIR INTAKE MOD, DUAL BROOM .....	7
203V94 - FRONT SPRAY BAR .....	8
205A37 - HOPPER SPRAYBAR .....	9
204R65- HI-PRES WASH SYSTEM .....	10
204R64 - HIGH PRESSURE WATER PUMP .....	11
60114 - 1500-PSI PUMP & ROTO-NOZZLE .....	12
204Q66 - WATER DUAL PLUS REAR .....	13
203674 - SIGHT GAUG, WATER TANK, SIDE .....	14
522392 - WATER FILL .....	15
522393 - WATER VENT .....	16
204N67 - WATER MANIFOLD .....	17
204N68 - WATER PUMP .....	18
204Q23 - REAR WATER TANK .....	19
522394 - WATER LH CROSSOVER .....	20
204T91 - WATER FILTER REAR .....	21
525528 - WATER FILTER TUBE .....	22
204N58 - WATER SYSTEM .....	23
204N66 - WATER FILTER, DIESEL .....	24
204S19 - WATER PLUS REAR .....	25
204S20 - WATER FILTER, GAS .....	26
525601 - PVC TUBING, WATER FILTER .....	27
204S18 - WATER, GAS .....	28
204R66 - HI-PRES WASH SYS, W/REEL .....	29
204B35 - HEAVY DUTY BUMPER .....	30
204R10 - MAGNET BAR 84" MOUNT .....	31
204R09 - MAGNET BAR 84" .....	32
204H16 - MAGNET BAR 90" MOUNT M2 .....	33
204H15 - MAGNET BAR 90" .....	34
204H17 - BRKT, UPSTOP W/SENSOR ASSY .....	35
204R70 - CONVEX MIRROR, 12" .....	36
204R69 - CONVEX MIRROR, 8" .....	37



# Table of Contents

BACKUP ALARMS	38	204P15 - MANIFOLD, SINGLE BROOM	74
204P24 - DUMP KIT, SINGLE MAN	39	60089 - MANIFOLD, DO2 W/G/B CIR.	76
204L94 - FRAME	41	204Q26 - MANIFOLD, HYD, SINGLE BROOM	77
204A55 - REAR INPECTION DOOR	42	204N74 - MANIFOLD, DUAL BROOM	78
204P17 - REMOTE GREASE	43	204R43 - MANIFOLD, HYD, DUAL BROOM	80
204L89 - TOOLBOX LH	44	204N76 - POWER MODULE T4I	81
204D91 - TOOLBOX LH DOOR	45	204T09 - POWER MODULE, CUMMINS T4F	82
204N71 - CENTER DIVIDER	46	204R79 - AIR BOX HOSE KIT	83
204L88 - TOOLBOX RH	47	204U83 - CUMMINS ENGINE T4F	84
204D92 - TOOLBOX RH DOOR	48	204N47 - POWER MODULE T4F	87
204M17 - BUMPER, REAR	49	204X12 - POWER MODULE T3F	88
204U66 - LIGHTED BUMPER, IH M2	50	204X07 - CUMMINS ENGINE T3	89
204U65 - BUMPER, IH M2	51	<b>7 Schematics</b>	<b>92</b>
204A02 - STROBE, CAB	52	SK-1750 - Dual Steering Wiring Harness	93
204A03 - STROBE LIGHT	53	66374 - HARNESS, HYD MAN, DUAL G/B	94
203Y78 - MINI BARLIGHT	54	66375 - HARNESS, HYD MAN, SINGLE G/B	95
204W81 - STROBE ASM, DUAL BK 3CR12	55		
203Y82 - MINI BARLIGHT	56		
204B34 - BARLIGHT 56"	57		
203817 - ARROWBOARD	58		
203Y95 - STROBE CAB	59		
204T22 - BARLIGHT 56" CAB	60		
204B10 - MINI BARLIGHT	61		
miscellaneous	62		
<b>6 Power Module</b>	<b>63</b>		
204M58 - HYDRAULIC PUMP	64		
24089 - 12V DC AUX. PUMP	65		
204Q99 - AUX PUMP PLUGS	66		
204R18 - HYDRAULIC SYSTEM	67		
66469 - DUMP MANIFOLD	68		
204Q75 - HYD SYS, SPLY & RTRN	69		
26304 - MAIN HYD. PUMP, SINGLE SECTION GEAR	70		
204N33 - HYDRAULIC TANK	71		
204M44 - HYD SYS, SWEEP HEAD	72		
204Q01 - FAN HOUSING	73		

# Instrumentation

---

1

# Section 1 - Instrumentation

## CONSOLE

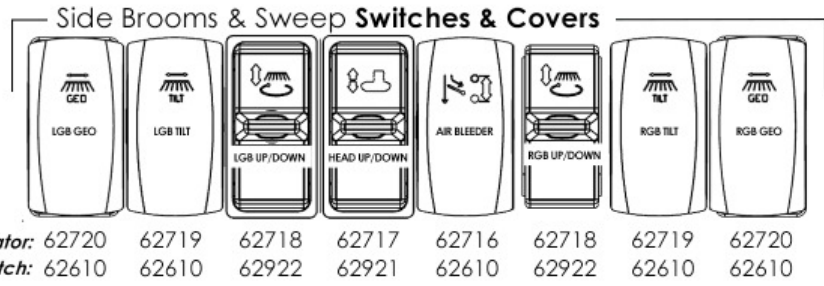
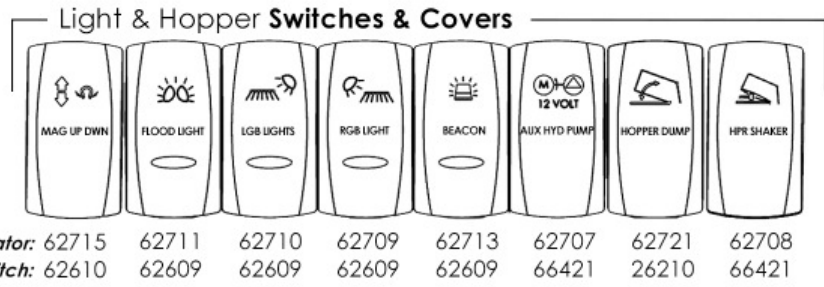
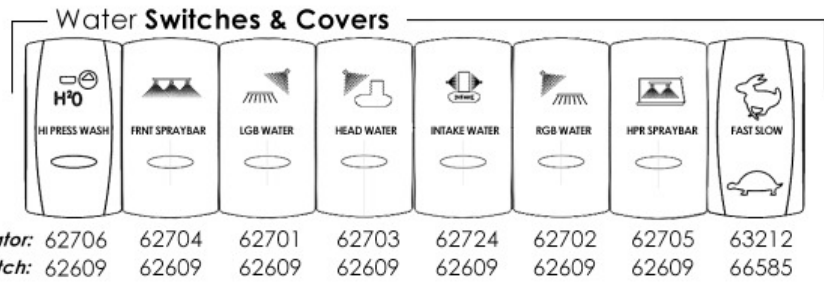
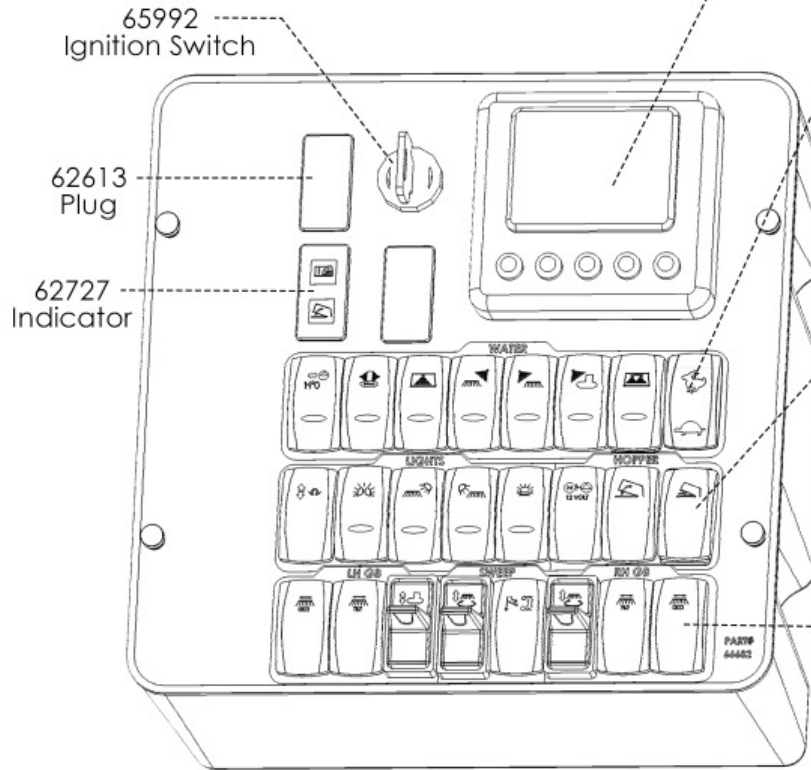
CUMMINS CONSOLE COMPLETE - 67487  
 YANMAR CONSOLE COMPLETE - 66889

### Optional Switches

Magnet Dump  
**Actuator:** 62714  
**Switch:** 63994

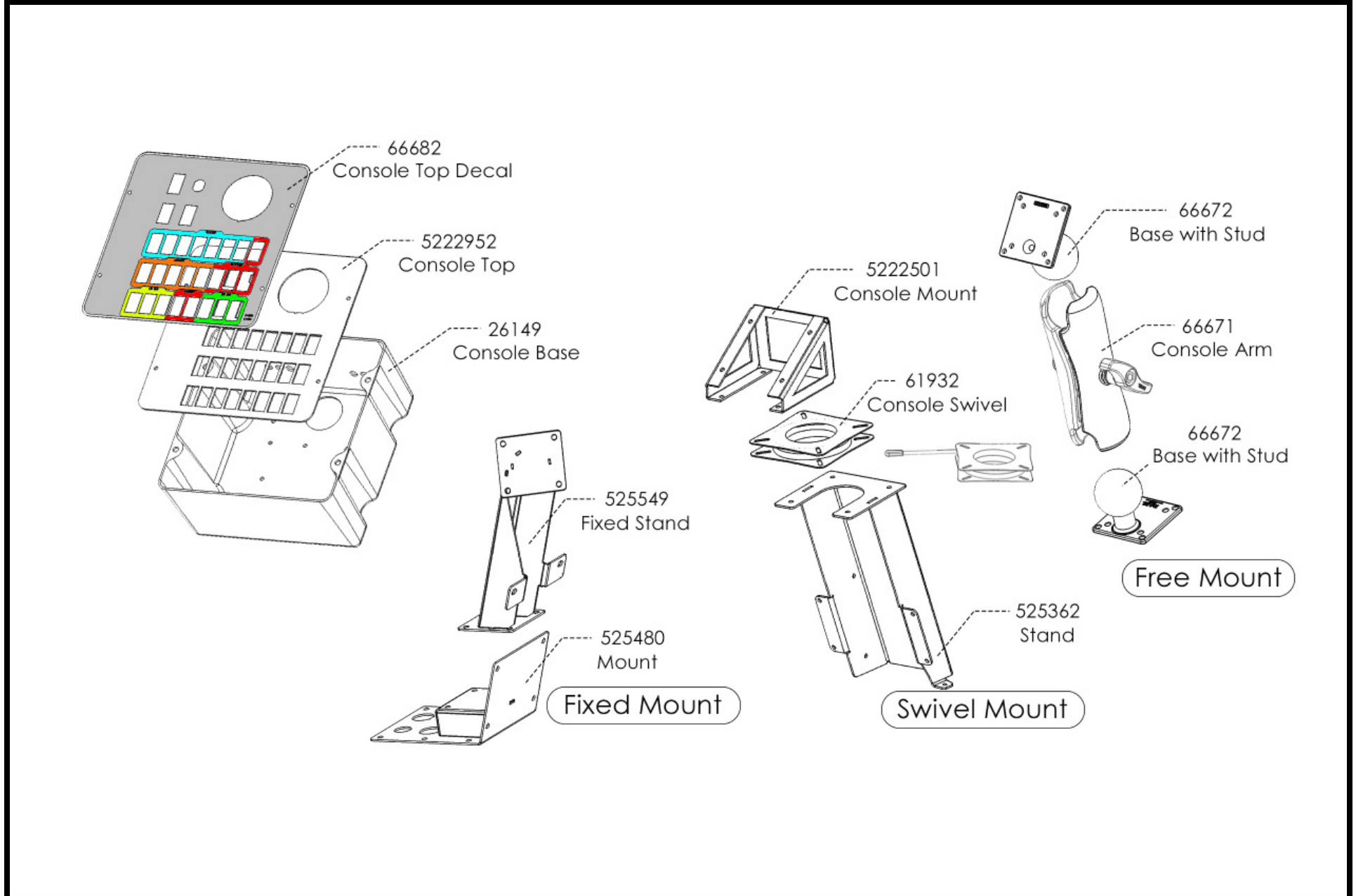
Work Lights  
**Actuator:** 62712  
**Switch:** 62609

66862 - Yanmar Display  
 67398 - Cummins Display



# Section 1 - Instrumentation

## CONSOLE



**Debris Pickup**

---

**2**

# Section 2 - Debris Pickup

## 204P62 - SWEEPING HEAD

The diagram shows an exploded view of the 204P62 Sweeping Head assembly. The main assembly consists of a base (1) with a suction tube (2) and a head (3). The head is supported by a frame (4) and includes a spring (5) and a hose clamp (6). The head is connected to a suction tube (7) which is supported by a spring (8) and a hose clamp (9). The suction tube is connected to a spray tip (10) which is supported by a spray tip retainer (11) and a spray tip filter (12). The spray tip is supported by a spray tip nozzle (13) and a spray tip filter (14). The spray tip nozzle is supported by a spray tip filter (15) and a spray tip nozzle (16). The spray tip filter is supported by a spray tip filter (17) and a spray tip nozzle (18). The spray tip nozzle is supported by a spray tip filter (19) and a spray tip nozzle (20). The spray tip filter is supported by a spray tip filter (21) and a spray tip nozzle (22). The spray tip nozzle is supported by a spray tip filter (23) and a spray tip nozzle (24). The spray tip filter is supported by a spray tip filter (25) and a spray tip nozzle (26). The spray tip nozzle is supported by a spray tip filter (27) and a spray tip nozzle (28). The spray tip filter is supported by a spray tip filter (29) and a spray tip nozzle (30).

ITEM NO.	PART NUMBER	Default/QTY.	DESCRIPTION
1	525443	1	A4T HEAD WELDMENT
2	525444	1	A4T HEAD INTAKE TUBE
3	525525	2	WELDMENT, SKID, A4T
4	5202023	4	CURTAIN CLAMP
5	21033	2	HOSE 12" X 24" HD SUCTION
6	525446	2	A4T HOSE CLAMP RING
7	65146	2	JAW END, 1/2 -13 RH THREAD ZP
8	22615	4	SPRING, HEAD & BROOM
9	20816	20	5/16 CHAIN LINK
10	20815	80	3/16" CHAIN LINK
11	20133	5	ELBOW,90,1/4 MNPT X FNPT
12	20141	3	FEMALE TEE, ECONO NPTF, 1/4"
13	20408	4	SPRAY TIP, 1/4 MPT
14	20420	4	SPRAY TIP RETAINER
15	20441	4	SPRAY TIP, BRASS 8002
16	54240	9	ADAPTER,1/4 NPT X 3/8 P2C
17	31593	4	FLAT WASHER 3/8
18	28445	4	CLAMP, V16-1/8
19	24044	4	HOSE CLAMP 12"-3/4 STAINLESS
20	24007	9	SPRING, COMP. 11/16 OD X 1-1/4
21	22971	1	GROMMET, 1/2" UNISEAL PIPE
22	20238	1	COUPLING, 1/4 BLK
23	25048	1	BRASS SPRAY NOZZLE, 1/4 NPT
24	525452	1	A4T BLAST PLATE WELDMENT
25	525454	1	A4T SUCTION TUBE WELDMENT
27	66665	1	FLAP KIT A4T HEAD FLAP SET
28	20407	4	SPRAY TIP FILTER, 100 MESH
29	24087	1	ELBOW, 90 DEG., 1/4 FPT X 1/4 FPT

**ITEMS BELOW NOT SHOWN**

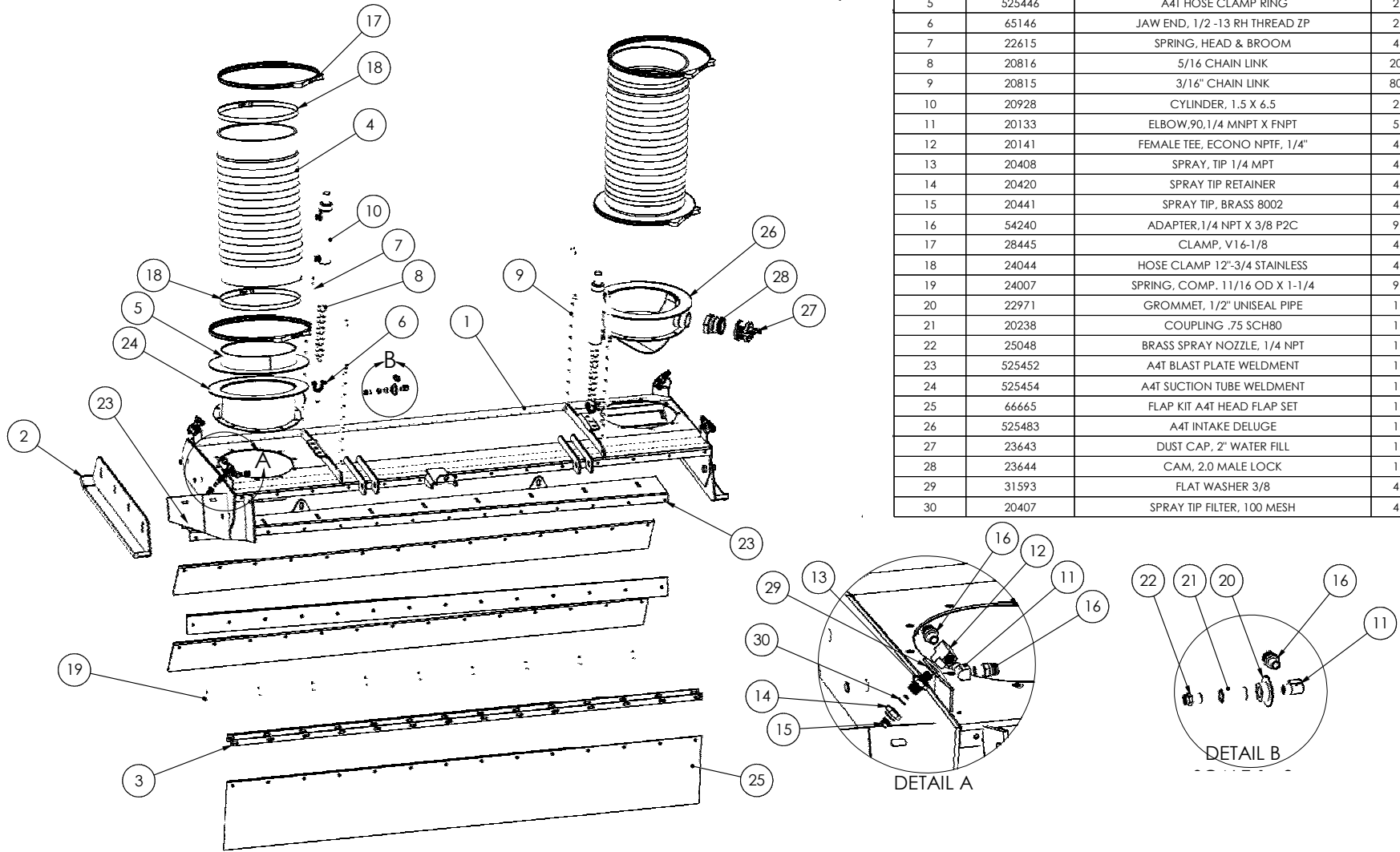
ITEM NO.	PART NUMBER	Default/QTY.	DESCRIPTION
30	20529-18	216 IN	TUBING, 3/8" NYLON



# Section 2 - Debris Pickup

## 204Q11 - HEAD DELUGE

NOTE:  
SET BLAST ORIFICE TO 5/8"

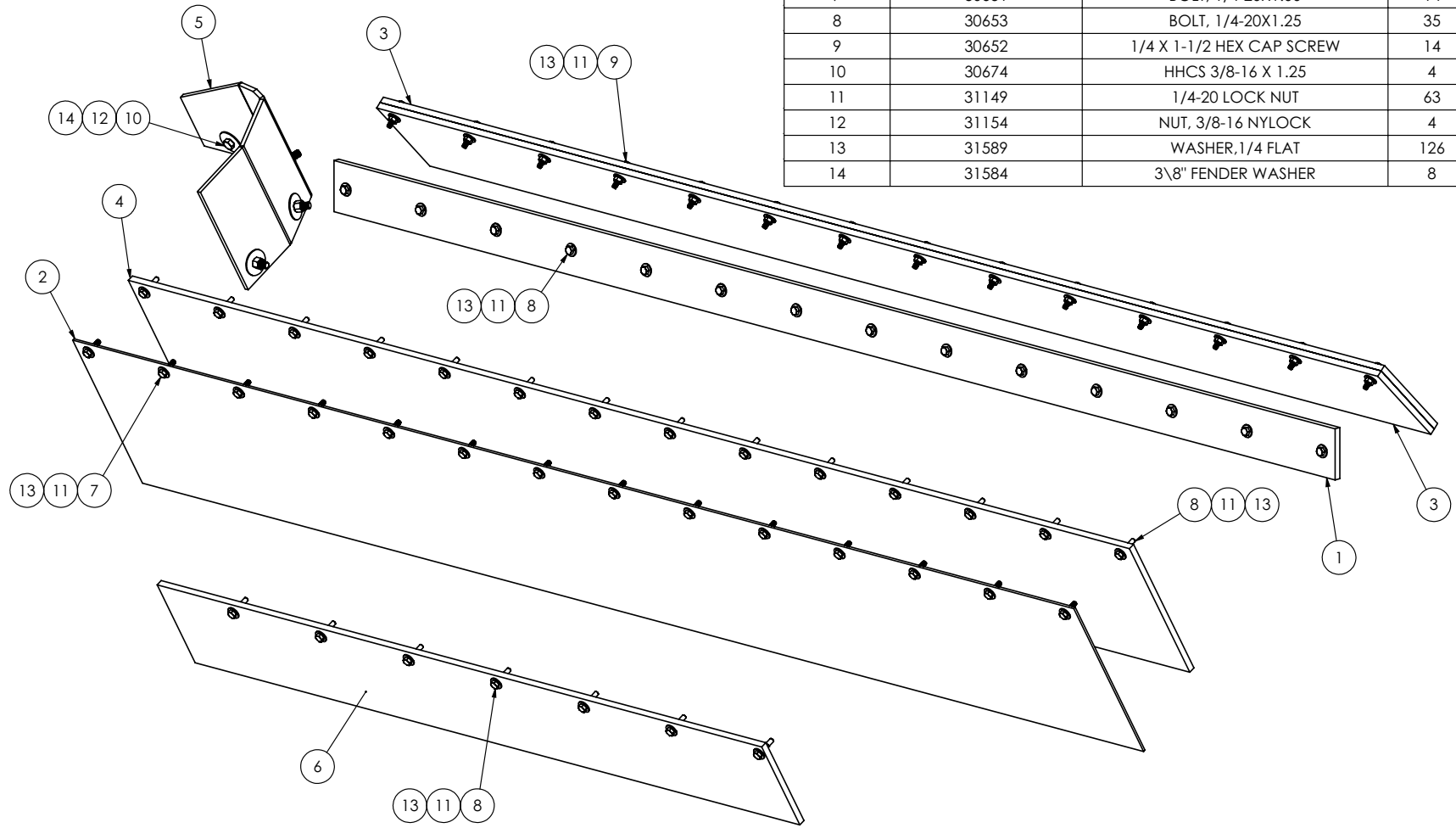


ITEM NO.	PART NUMBER	DESCRIPTION	Default /QTY.
1	525443	A4T HEAD WELDMENT	1
2	520425	SKID ASSY A4000	2
3	5202023	CURTAIN CLAMP	4
4	21033	HOSE 12" X 24" HD SUCTION	2
5	525446	A4T HOSE CLAMP RING	2
6	65146	JAW END, 1/2 -13 RH THREAD ZP	2
7	22615	SPRING, HEAD & BROOM	4
8	20816	5/16 CHAIN LINK	20
9	20815	3/16" CHAIN LINK	80
10	20928	CYLINDER, 1.5 X 6.5	2
11	20133	ELBOW,90,1/4 MNPT X FNPT	5
12	20141	FEMALE TEE, ECONO NPTF, 1/4"	4
13	20408	SPRAY, TIP 1/4 MPT	4
14	20420	SPRAY TIP RETAINER	4
15	20441	SPRAY TIP, BRASS 8002	4
16	54240	ADAPTER,1/4 NPT X 3/8 P2C	9
17	28445	CLAMP, V16-1/8	4
18	24044	HOSE CLAMP 12"-3/4 STAINLESS	4
19	24007	SPRING, COMP. 11/16 OD X 1-1/4	9
20	22971	GROMMET, 1/2" UNISEAL PIPE	1
21	20238	COUPLING .75 SCH80	1
22	25048	BRASS SPRAY NOZZLE, 1/4 NPT	1
23	525452	A4T BLAST PLATE WELDMENT	1
24	525454	A4T SUCTION TUBE WELDMENT	1
25	66665	FLAP KIT A4T HEAD FLAP SET	1
26	525483	A4T INTAKE DELUGE	1
27	23643	DUST CAP, 2" WATER FILL	1
28	23644	CAM, 2.0 MALE LOCK	1
29	31593	FLAT WASHER 3/8	4
30	20407	SPRAY TIP FILTER, 100 MESH	4

# Section 2 - Debris Pickup

## 66665 - FLAP KIT

ITEM NO.	PART NUMBER	DESCRIPTION	QTY.
1	5214648	MIDDLE SHORT HEAD FLAP	1
2	67418	FLAP,FRONT HEAD,A4T	1
3	5214646	REAR FLAP HEAD	2
4	5214649	MIDDLE HEAD FLAP	1
5	5222901	A4T SUCTION CURTAIN	1
6	66445	CENTER DEFLECTOR, A4	1
7	30651	BOLT, 1/4-20X1.00	14
8	30653	BOLT, 1/4-20X1.25	35
9	30652	1/4 X 1-1/2 HEX CAP SCREW	14
10	30674	HHCS 3/8-16 X 1.25	4
11	31149	1/4-20 LOCK NUT	63
12	31154	NUT, 3/8-16 NYLOCK	4
13	31589	WASHER,1/4 FLAT	126
14	31584	3/8" FENDER WASHER	8



# Hopper

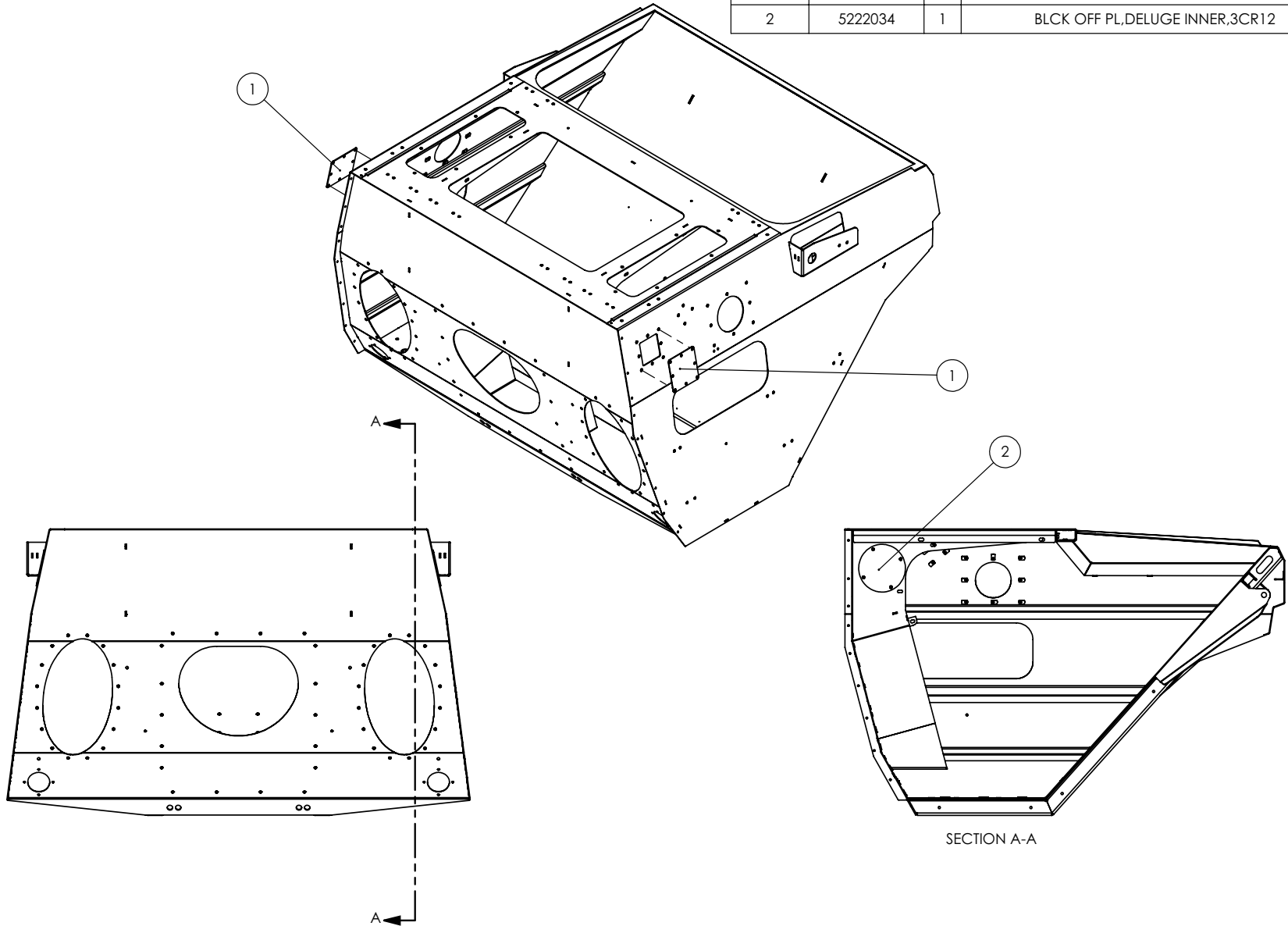
---

3

# Section 3 - Hopper

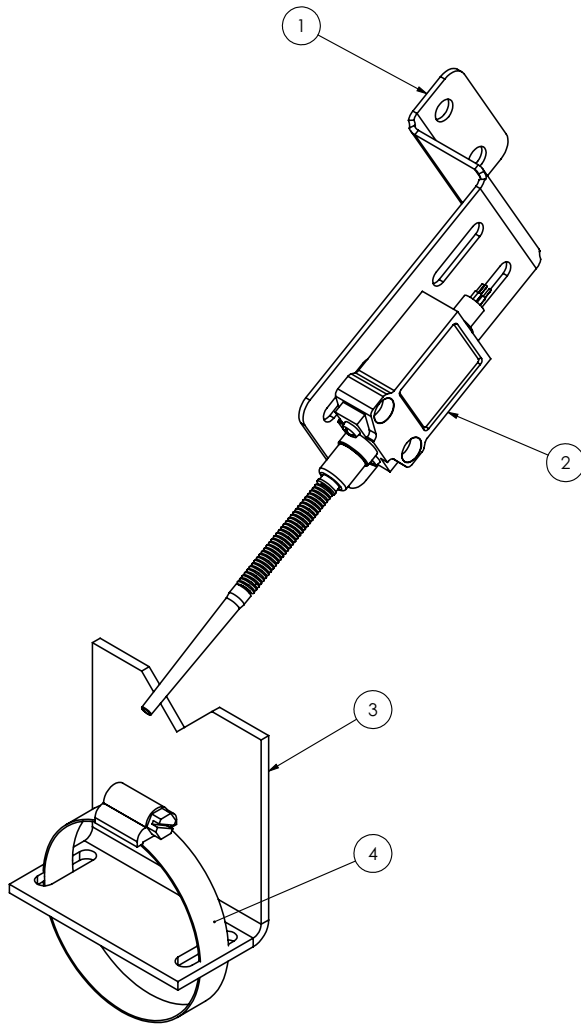
## 204M32 - DELUGE BLOCK OFF PLATE

ITEM NO.	PART NUMBER	QTY.	DESCRIPTION
1	5222504	2	COVER PL,OUTR,DELUGE,A4T,3CR12
2	5222034	1	BLCK OFF PL,DELUGE INNER,3CR12



# Section 3 - Hopper

## 204R22 - LOAD WEIGHT INDICATOR



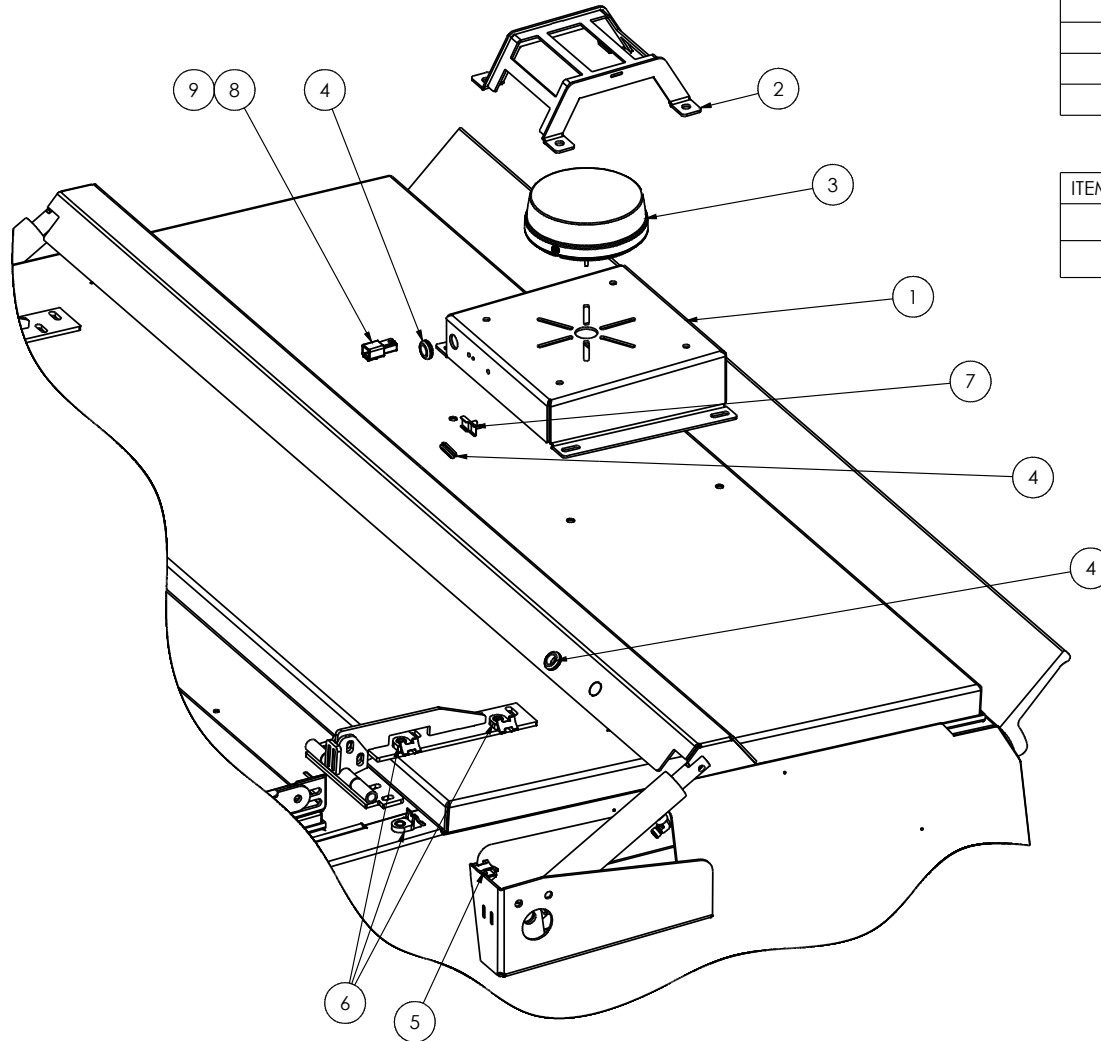
ITEM NO.	PART NUMBER	QTY.	DESCRIPTION
1	5223131	1	BRKT, SEALED DUMP LOAD SWITCH
2	66262	1	AUTO DIRECT LIMIT SWITCH
3	5207326	1	CRADLE BRACKET, LIMIT SWITCH
4	24041	1	HOSE CLAMP, 2-5/16 TO 3-1/4

ITEMS BELOW NOT SHOWN

ITEM NO.	PART NUMBER	QTY.	DESCRIPTION
5	23471	1	BUZZER, KYSOR
6	24270	1	.25 MALE 16-14 GA QUICK DISC.

# Section 3 - Hopper

## 204S28 - STROBE BACK



ITEM NO.	PART NUMBER	QTY.	DESCRIPTION
1	5223325	1	BRACKET, MOUNT, BEACON, A4T
2	525957	1	WELD, LIMB GUARD, LOW PROFILE
3	66764	1	BEACON, LED, WHELEN L32
4	26024	3	5/8" GROMMET
5	67148	1	STRAP MOUNT, AXIAL, 5/16 BOLT
6	66416	3	STRAP MOUNT, 3/8 BOLT
7	67116	1	CLIP, DT & DTM SERIES RECEP.
8	64595	1	CONNECTOR, 2WAY RECEPTACLE
9	64610	1	WEDGELOCK, 2 WAY RECEPTACLE, D

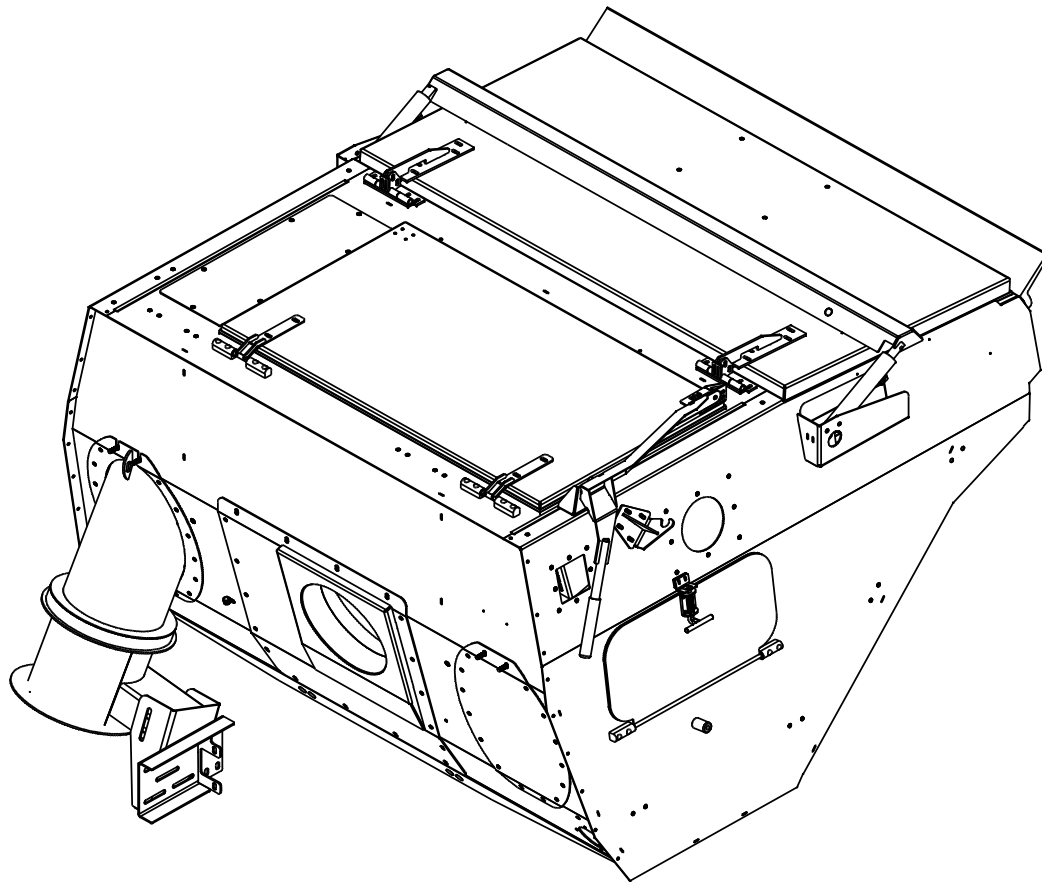
ITEMS NOT SHOWN

ITEM NO.	PART NUMBER	QTY.	DESCRIPTION
10	28694	2	PIN, MALE 16 GA
11	67132	1	WIRE HARNESS, BEACON, DUMP DOOR



# Section 3 - Hopper

## 204L69 - HOPPER, SS



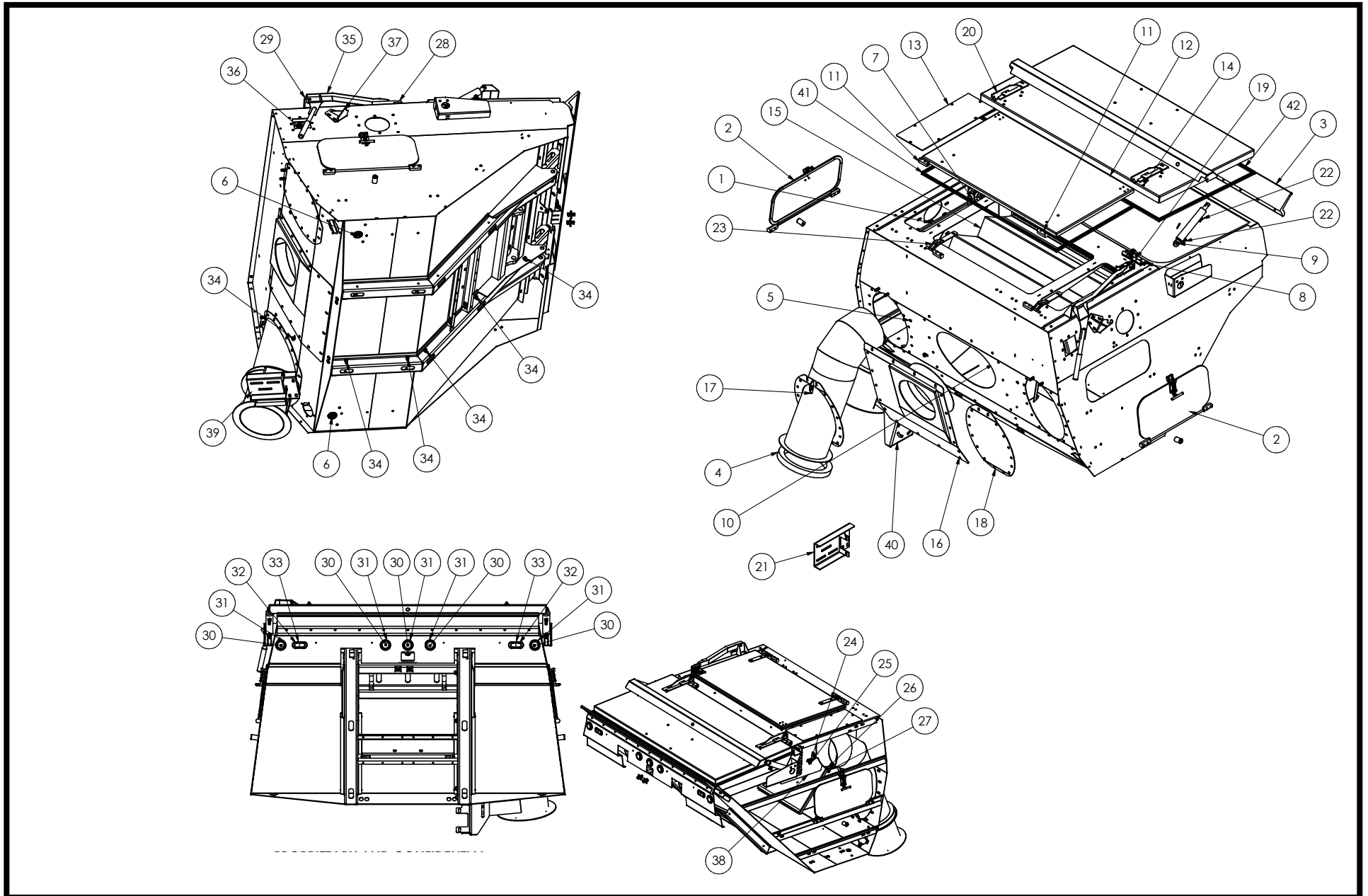
ITEM NO.	PART NUMBER	QTY.	DESCRIPTION
1	525136	1	HOPPER WELDMENT, A4T
2	204Q73	2	INSP DOOR ASSY, S350T/A4T/S336
3	66036	1	6" RUBBER CLEAT CUSTOM LENGTH
4	24046	1	SEAL, INTAKE, A3000
5	22863	2	3/8" GROMMET
6	20249	2	PLUG, 3/4" MNPT SQ HEAD
7	25312	6	CHAIN, 5/8" 6-LINKS
8	525432	2	WLD,BASE,HNG,DD,3CR12,S350/A4T
9	20928	2	HYD CYL, 1.5 X 6
10	525156	1	DOOR, DUST COLLECTION, A4T
11	28458	4	ALUMINUM HINGE, SHORT
12	525158	1	DOOR, WLDMNT, CLEAN OUT,AL,A4T
13	5221977	1	COVER, CLEAN OUT BLK, SS, A4T
14	525159	1	DOOR, WLDMNT, HOPPER, SS, A4T
15	525164	1	SCREEN WLDMNT, LHD, SS, A4T
16	525433	1	HOPPER/FAN INLET FLANGE, A4T
17	525166	1	INTAKE TUBE, HOPPER, LHD A4T
18	5222011	1	FLANGE, BLOCK OFF, A4T
19	525168	2	HOPPER DOOR HINGE UPPER, A4T
20	525169	2	HOPPER DOOR HINGE LOWER, A4T
21	525152	1	TRANS BRACKET,RH PICKUP,A4,T-4
22	65766	4	ELBOW, 90° 1/4 MORFS X 1/4 NP
23	525313	2	HINGE, CLEANOUT DOOR, AL, A4T
24	20425	2	SPRAY TIP, FLOOD JET FITTING
25	63128	1	TEE,RUN,1/4 NPT X 3/8 P2C
26	23846	2	1/4 FNPT X 1/8 FNPT REDUCER
27	28976	1	ELBOW,90,1/4 NPT X 3/8 P2C
28	5222128	1	MOUNT, HANDLE ATTACHMENT, 235
29	5222333	1	BKT, HANDLE PIVOT
30	20779	5	LIGHT, LED, 2" RED, SIDE MARKR
31	23136	5	GROMMET, 2" MARKER LIGHT
32	66304	2	STROBE, 3 LED,AMBER,A4T,S350T
33	66305	2	GROMMET,3 LED STRBE,A4T,S350T
34	20139	6	CLAMP, .50" RUBBER LINED
35	525348	1	HNDL,CLEANOUT DR,WLDMNT,A4T,LH
36	65398	1	DOOR HANDLE SAFETY COVER
37	525380	1	WELD, MAN. DMP HNDL REST, A4T
38	5222457	1	PLATE, WEAR, HOPPER SCREEN
39	525465	1	A4T SUCTION TUBE TRANS WELDMEN
40	5222999	1	A4T TRANS TUBE ADJUSTER
41	66127	165"	CLEAN OUT DOOR SEAL
42	66127	212"	DUMP DOOR SEAL

### ITEMS NOT SHOWN

ITEM NO.	PART NUMBER	QTY.	DESCRIPTION
43	64596	2	CONN, RECPT, DT, 4-POS
44	66154	1	DECAL, HOPPER LIFETIME WARRANT
45	64612	2	WEDGELOCK, DT, 4POS RECEPT
46	20529	22FT	TUBING, 3/8" NYLON
47	66370	1	HARNES, HOPPER, S350T

# Section 3 - Hopper

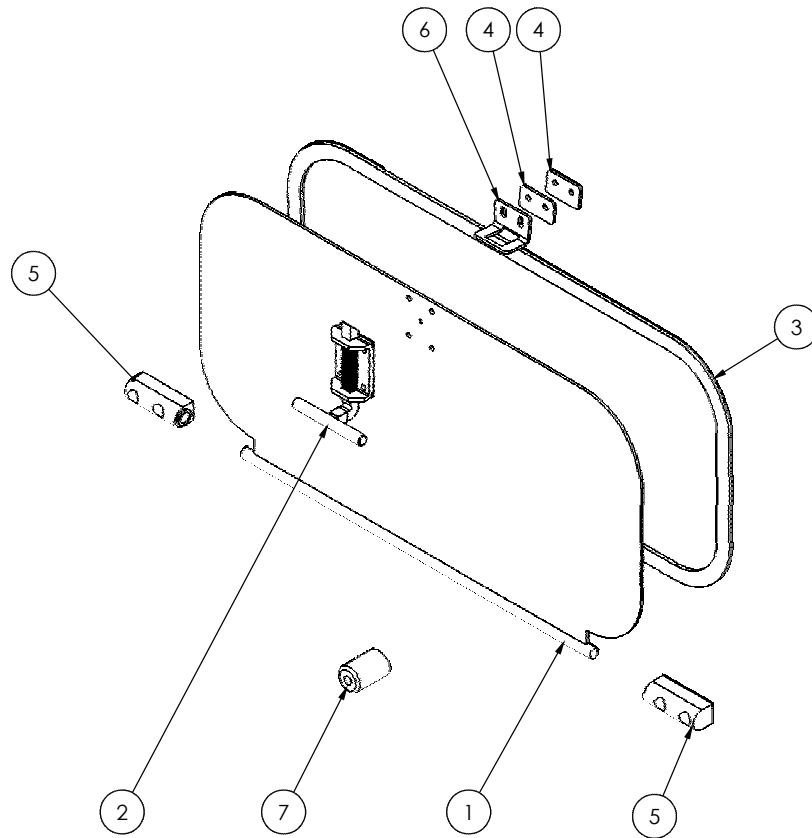
204L69 - HOPPER, SS



## Section 3 - Hopper

### 204Q73 - INPECTION DOOR

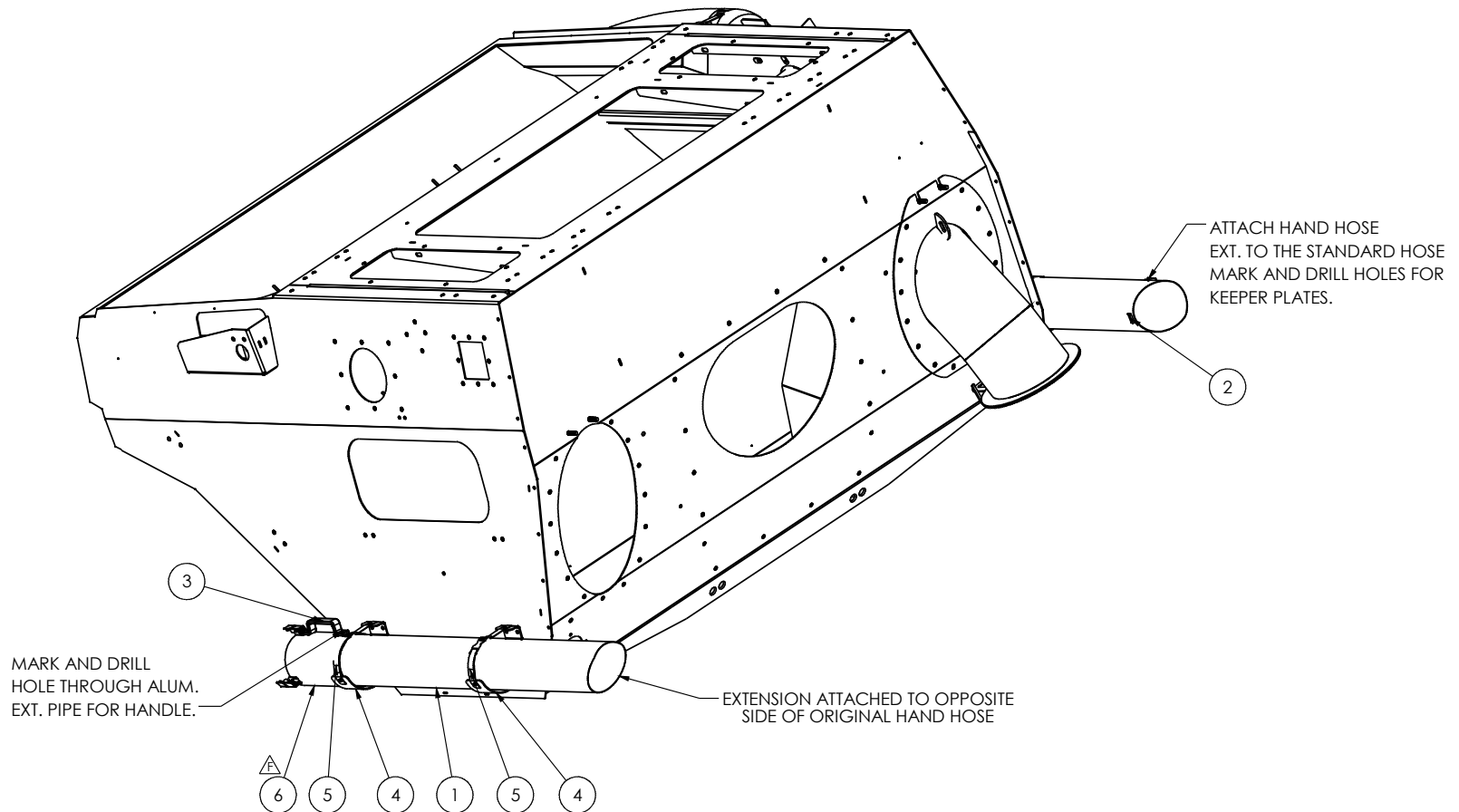
ITEM NO.	PART NUMBER	QTY.	DESCRIPTION
1	300825	1	INSPECTION DOOR WLDMT,A4000
2	63177	1	T HANDLE SPRING LATCH, S-SERIES HOPPER
3	25947-072	1	HOPPER INSPECTION DOOR SEAL
4	5218768	2	SPACER, HOPPER LATCH
5	28458	2	ALUMINUM HINGE, SHORT
6	5218640	1	STRIKER, SPRING LATCH
7	29437	1	BUMPER,RUBBER 1.25 D X 1.875 L



# Section 3 - Hopper

## 203Q56 - HAND HOSE EXTENSION

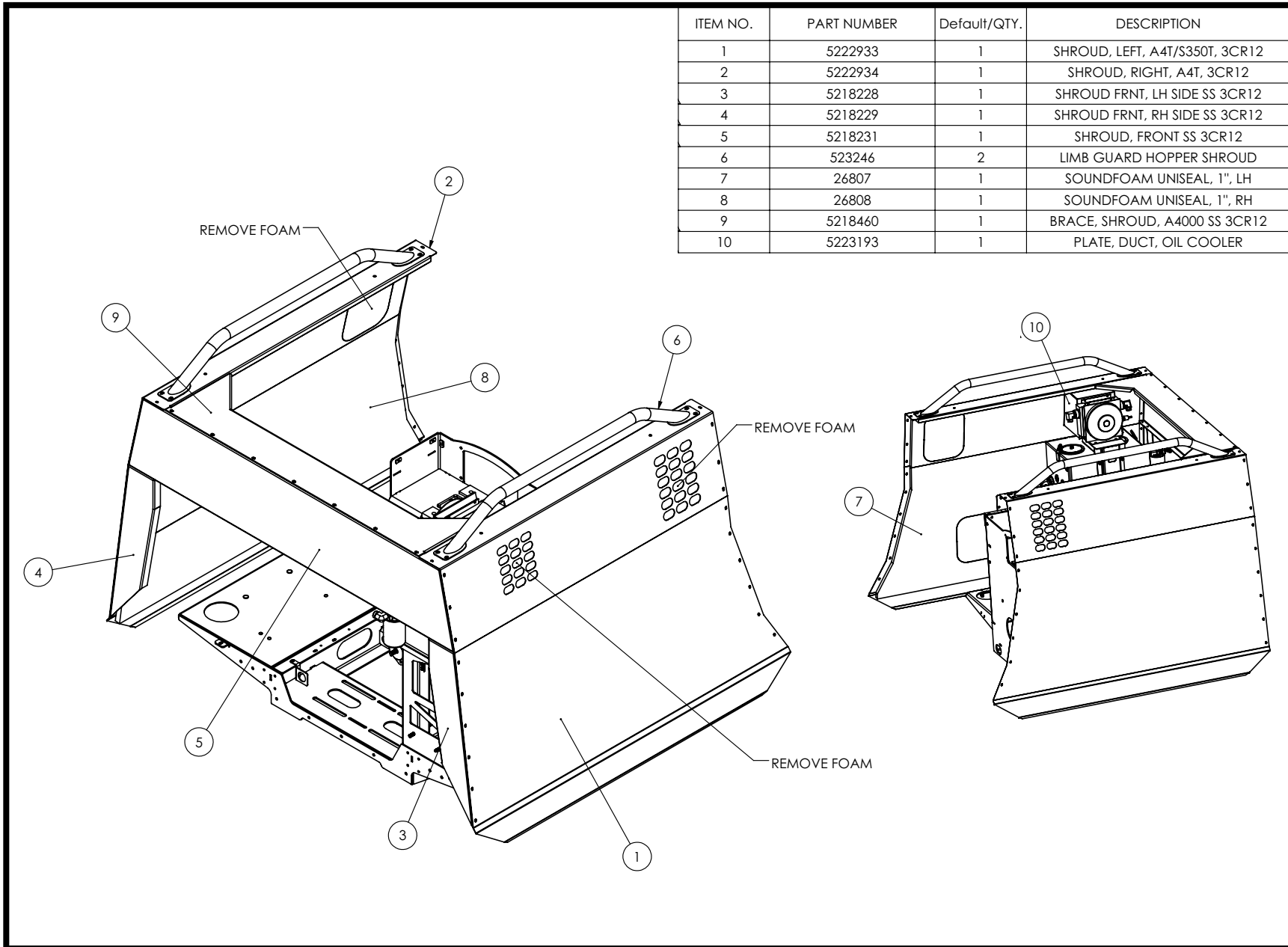
ITEM NO.	PART NUMBER	QTY.	DESCRIPTION
1	5202819	1	HAND HOSE NOZZLE 6" A4000
2	28025	3	KEEPER PLATE
3	20452	1	GRAB HANDLE AH 4302
4	5222522	2	BRACKET, HAND HOSE, A4T/S350T
5	66367	2	STRAP, CINCH 14", BUCKLE
6	526165	1	WELD, HAND HOSE EXT. TUBE



# Section 3 - Hopper

## 204Q47 - SHROUD, DIESEL, SS

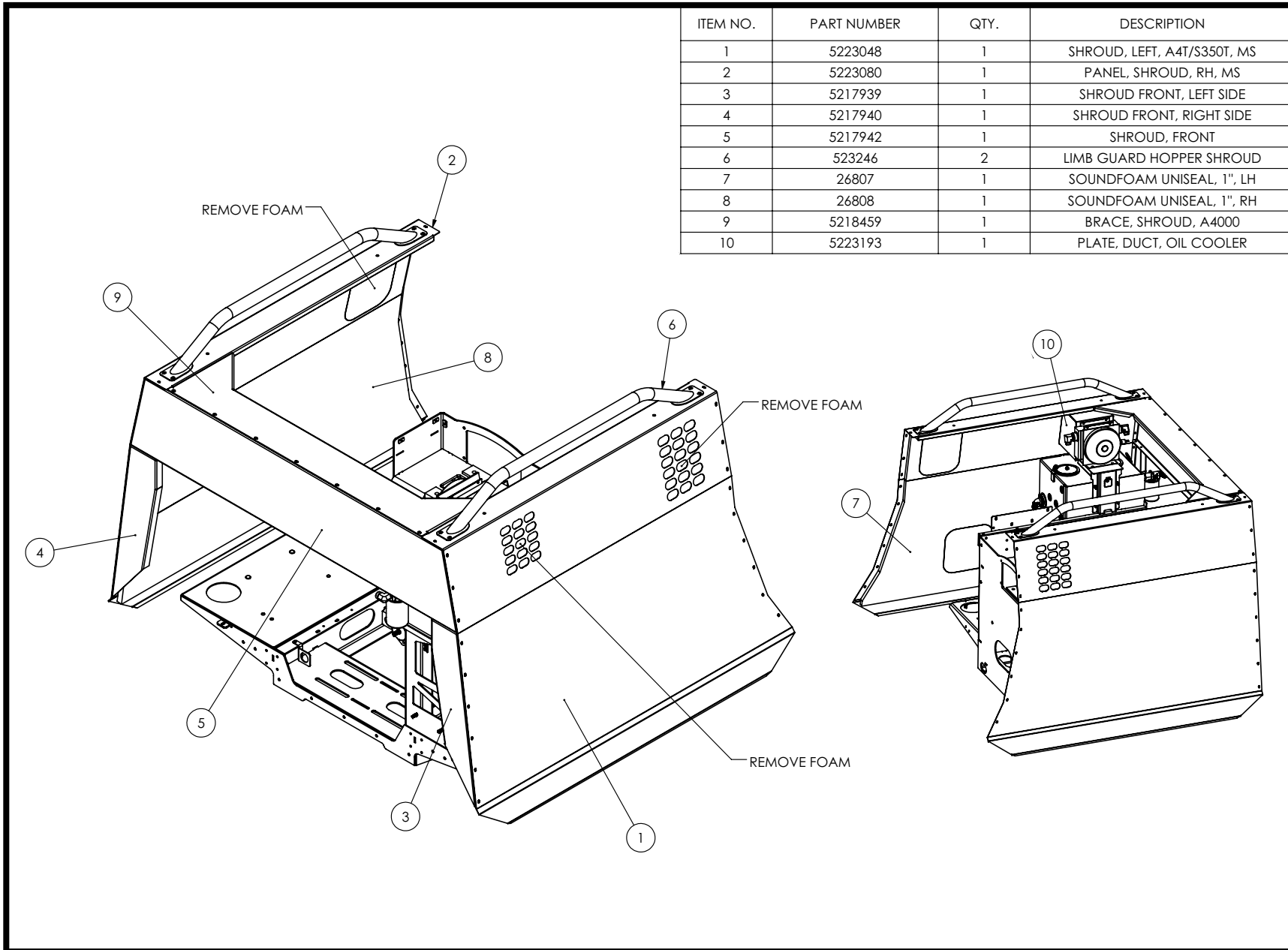
ITEM NO.	PART NUMBER	Default/QTY.	DESCRIPTION
1	5222933	1	SHROUD, LEFT, A4T/S350T, 3CR12
2	5222934	1	SHROUD, RIGHT, A4T, 3CR12
3	5218228	1	SHROUD FRNT, LH SIDE SS 3CR12
4	5218229	1	SHROUD FRNT, RH SIDE SS 3CR12
5	5218231	1	SHROUD, FRONT SS 3CR12
6	523246	2	LIMB GUARD HOPPER SHROUD
7	26807	1	SOUNDFOAM UNISEAL, 1", LH
8	26808	1	SOUNDFOAM UNISEAL, 1", RH
9	5218460	1	BRACE, SHROUD, A4000 SS 3CR12
10	5223193	1	PLATE, DUCT, OIL COOLER



# Section 3 - Hopper

## 204Q88 - SHROUD, DIESEL, MS

ITEM NO.	PART NUMBER	QTY.	DESCRIPTION
1	5223048	1	SHROUD, LEFT, A4T/S350T, MS
2	5223080	1	PANEL, SHROUD, RH, MS
3	5217939	1	SHROUD FRONT, LEFT SIDE
4	5217940	1	SHROUD FRONT, RIGHT SIDE
5	5217942	1	SHROUD, FRONT
6	523246	2	LIMB GUARD HOPPER SHROUD
7	26807	1	SOUNDFOAM UNISEAL, 1", LH
8	26808	1	SOUNDFOAM UNISEAL, 1", RH
9	5218459	1	BRACE, SHROUD, A4000
10	5223193	1	PLATE, DUCT, OIL COOLER

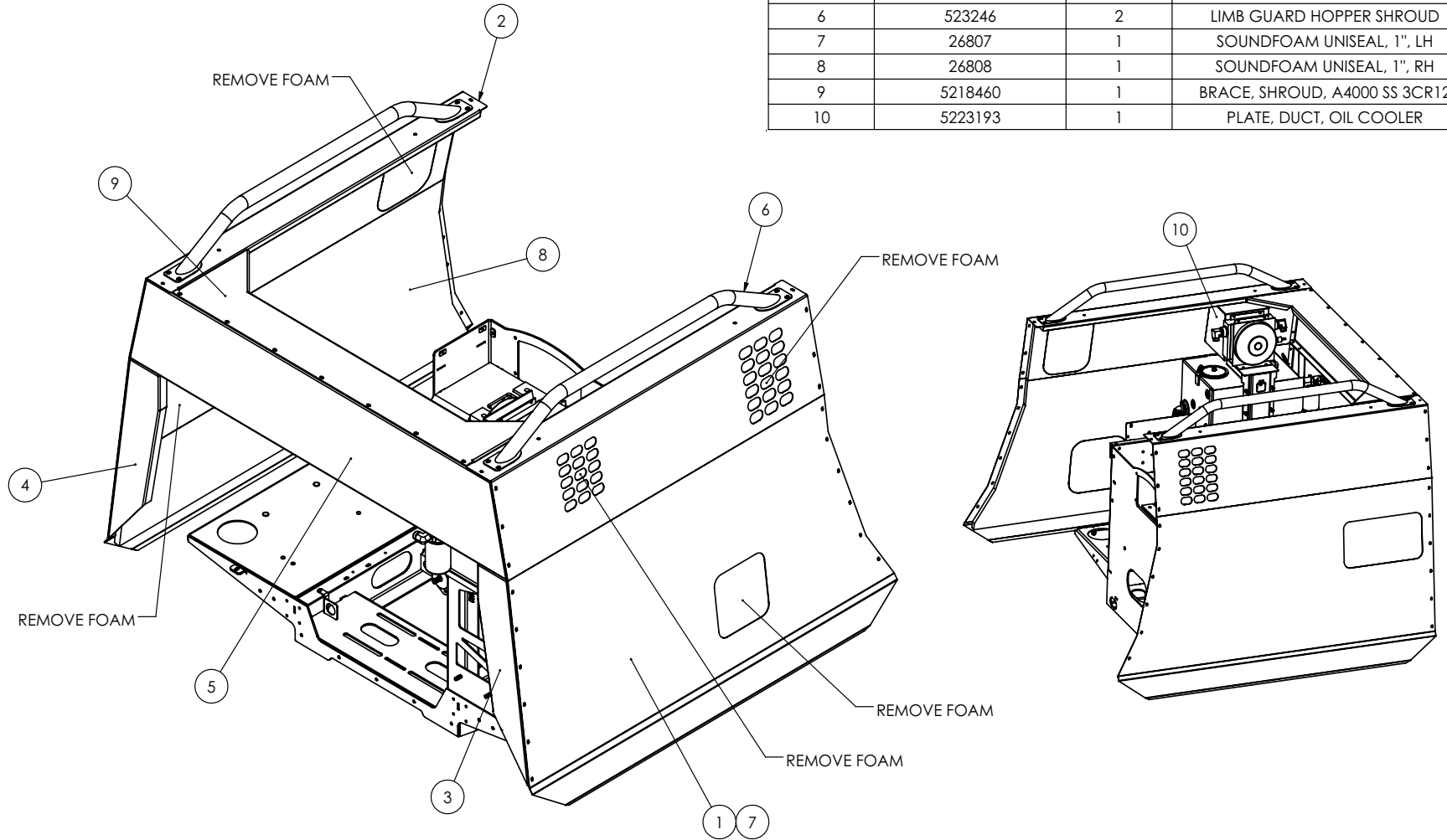




# Section 3 - Hopper

## 204Q82 - SHROUD GAS, SS

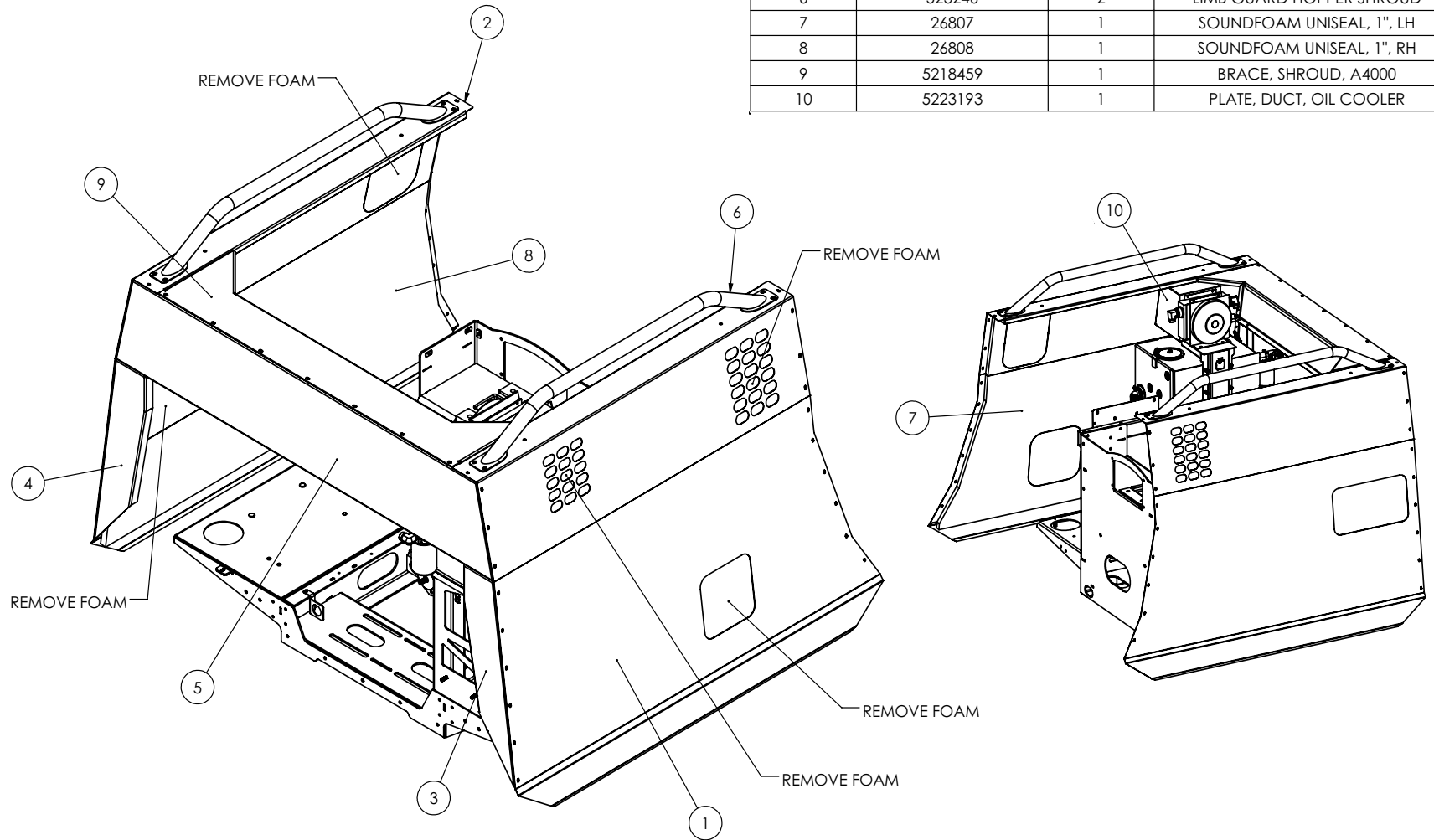
ITEM NO.	PART NUMBER	Default/QTY.	DESCRIPTION
1	5223070	1	PANEL, SHROUD, LH, GAS, SS
2	5223072	1	PANEL, SHROUD, RH, SS
3	5218228	1	SHROUD FRNT, LH SIDE SS 3CR12
4	5218229	1	SHROUD FRNT, RH SIDE SS 3CR12
5	5218231	1	SHROUD, FRONT SS 3CR12
6	523246	2	LIMB GUARD HOPPER SHROUD
7	26807	1	SOUNDFOAM UNISEAL, 1", LH
8	26808	1	SOUNDFOAM UNISEAL, 1", RH
9	5218460	1	BRACE, SHROUD, A4000 SS 3CR12
10	5223193	1	PLATE, DUCT, OIL COOLER



# Section 3 - Hopper

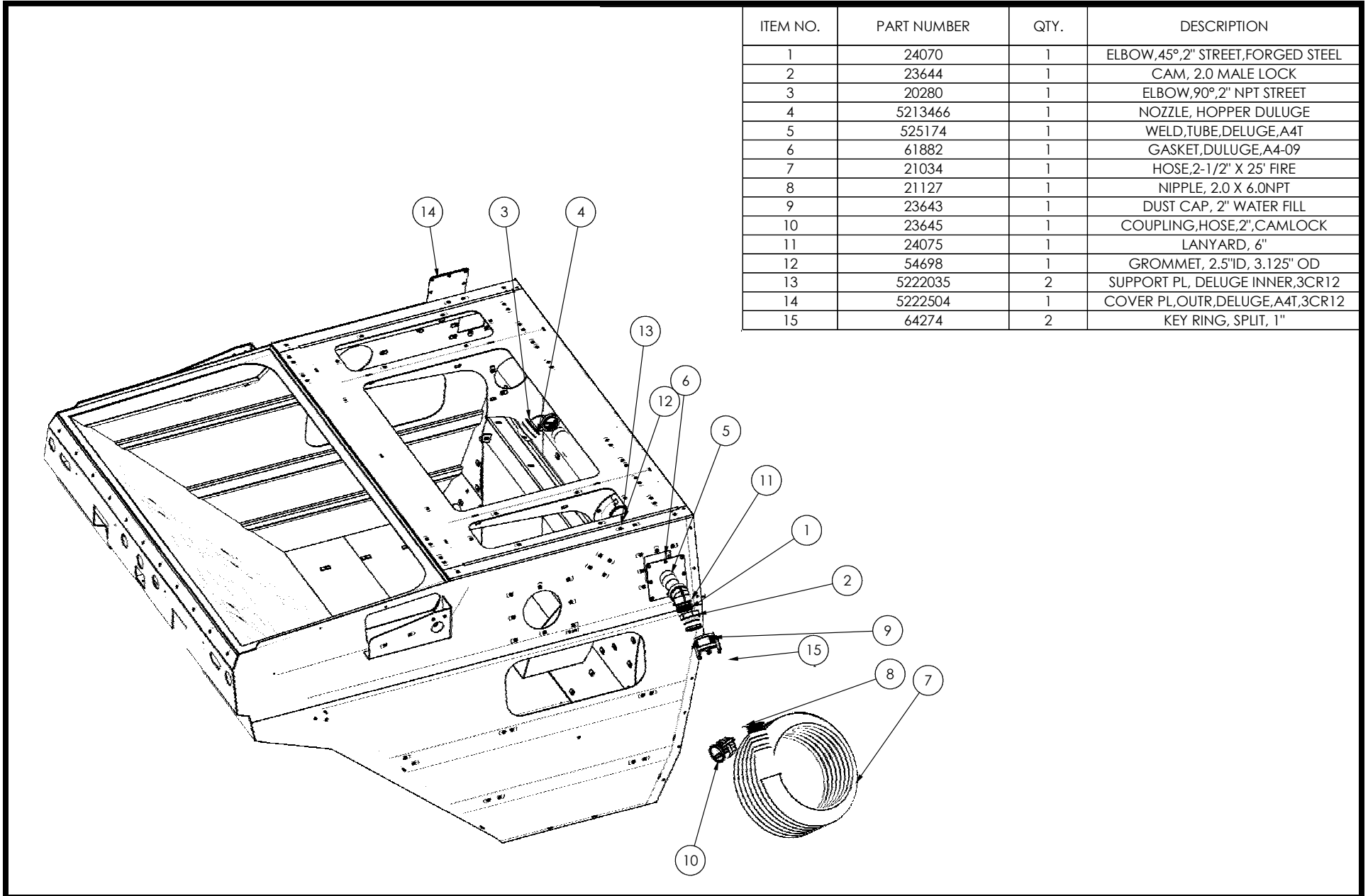
## 204Q80 - SHROUD GAS, MS

ITEM NO.	PART NUMBER	Default/QTY.	DESCRIPTION
1	5223069	1	PANEL, SHROUD, LH, GAS, MS
2	5223071	1	PANEL, SHROUD, RH, MS
3	5217939	1	SHROUD FRONT, RIGHT SIDE
4	5217940	1	SHROUD FRONT, LEFT SIDE
5	5217942	1	SHROUD, FRONT
6	523246	2	LIMB GUARD HOPPER SHROUD
7	26807	1	SOUNDFOAM UNISEAL, 1", LH
8	26808	1	SOUNDFOAM UNISEAL, 1", RH
9	5218459	1	BRACE, SHROUD, A4000
10	5223193	1	PLATE, DUCT, OIL COOLER



# Section 3 - Hopper

## 204L82 - HOPPER DELUGE



ITEM NO.	PART NUMBER	QTY.	DESCRIPTION
1	24070	1	ELBOW,45°,2" STREET,FORGED STEEL
2	23644	1	CAM, 2.0 MALE LOCK
3	20280	1	ELBOW,90°,2" NPT STREET
4	5213466	1	NOZZLE, HOPPER DULUGE
5	525174	1	WELD,TUBE,DELUGE,A4T
6	61882	1	GASKET,DULUGE,A4-09
7	21034	1	HOSE,2-1/2" X 25' FIRE
8	21127	1	NIPPLE, 2.0 X 6.0NPT
9	23643	1	DUST CAP, 2" WATER FILL
10	23645	1	COUPLING,HOSE,2",CAMLOCK
11	24075	1	LANYARD, 6"
12	54698	1	GROMMET, 2.5"ID, 3.125" OD
13	5222035	2	SUPPORT PL, DELUGE INNER,3CR12
14	5222504	1	COVER PL,OUTR,DELUGE,A4T,3CR12
15	64274	2	KEY RING, SPLIT, 1"

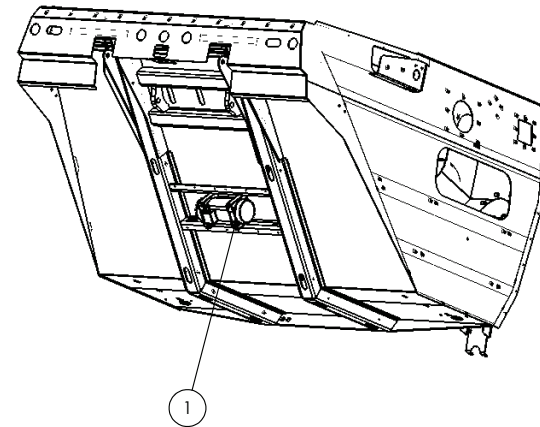
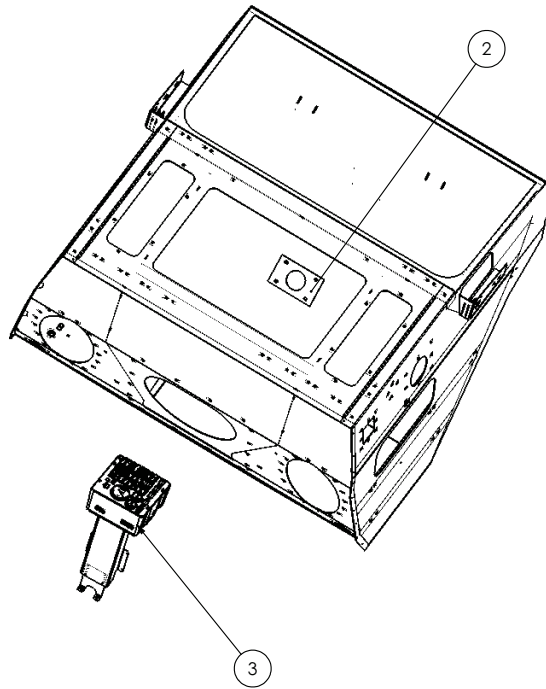
# Section 3 - Hopper

## 204S38 - HOPPER SHAKER

ITEM NO.	PART NUMBER	QTY.	DESCRIPTION
1	23188	1	VIBRATOR
2	5207362	1	SHIM VIBRATOR
3	204S39	1	KIT, CONSOLE, HOP SHAKE, A4T/350T

### ITEMS BELOW NOT SHOWN

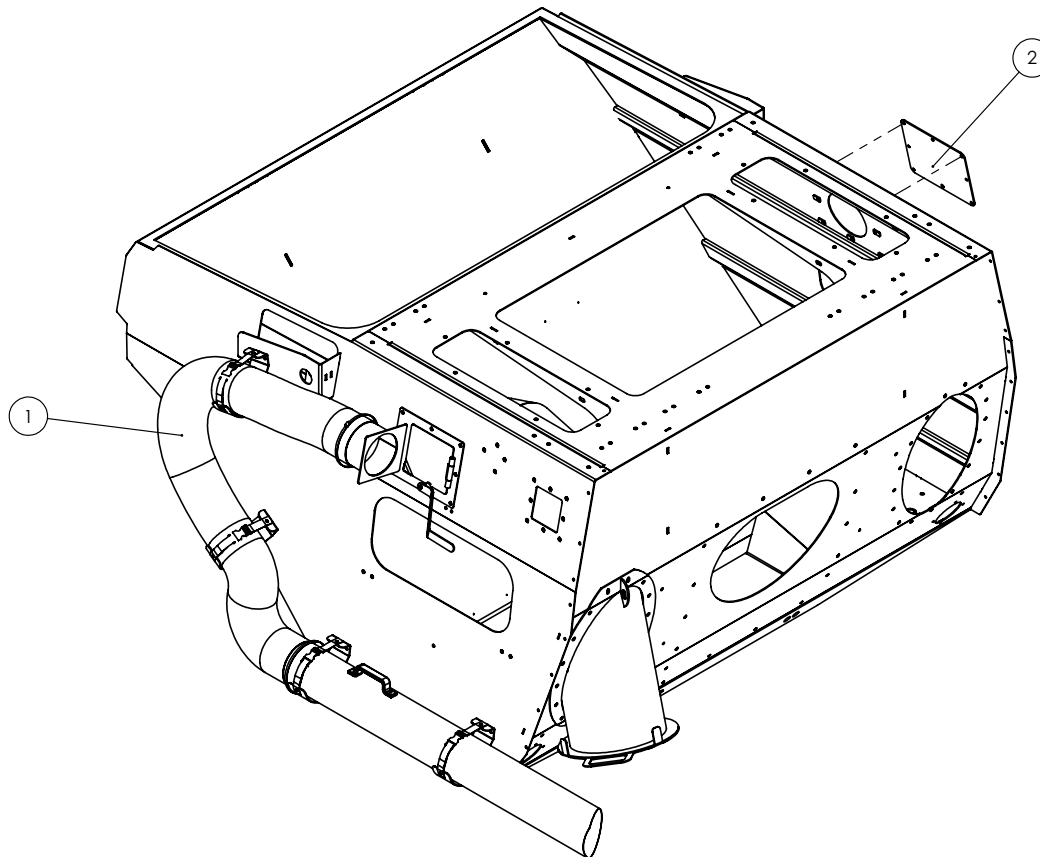
ITEM NO.	PART NUMBER	QTY.	DESCRIPTION
4	64606	1	PLUG, 2 CONTACT, SIZE 12 DTM
5	64619	1	WEDGELOCK, 2 WAY RECEPTACLE, D
6	28696	2	PIN, MALE 12 GA, DEUTSCH
7	20282	10 ft.	HOSE, FLEXGUARD 350
8	21919	4 ft.	WIRE, 12 GA - WHITE
9	23147	4 ft.	WIRE, 12 GA - BLACK



# Section 3 - Hopper

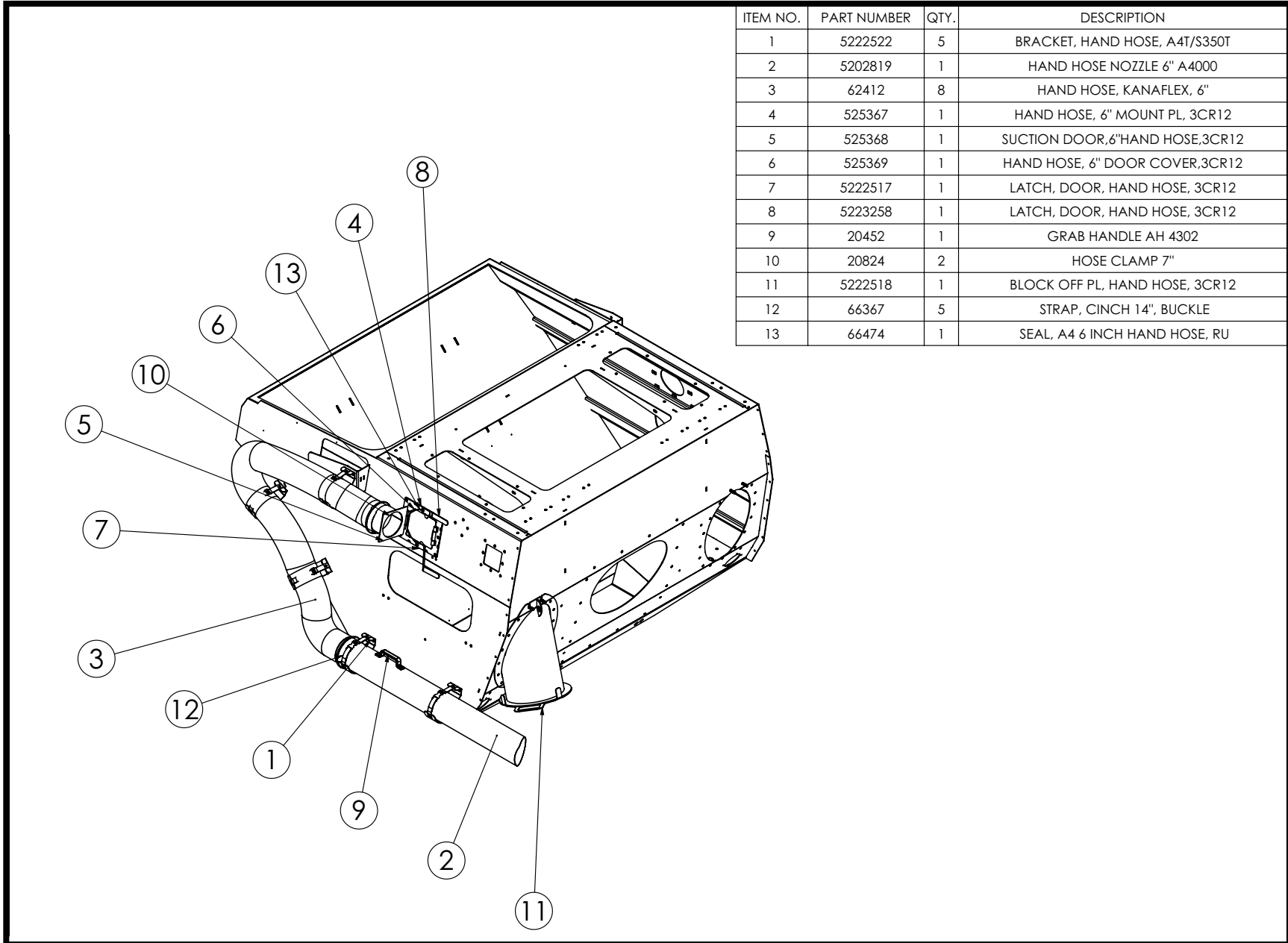
## 204M34 - HAND HOSE & COVER PLATE

ITEM NO.	PART NUMBER	QTY.	DESCRIPTION
1	204N64	1	6" HAND HOSE OPTION, A4T
2	5222505	1	COVER PL, HAND HOSE, 3CR12



# Section 3 - Hopper

## 204N64 - HAND HOSE

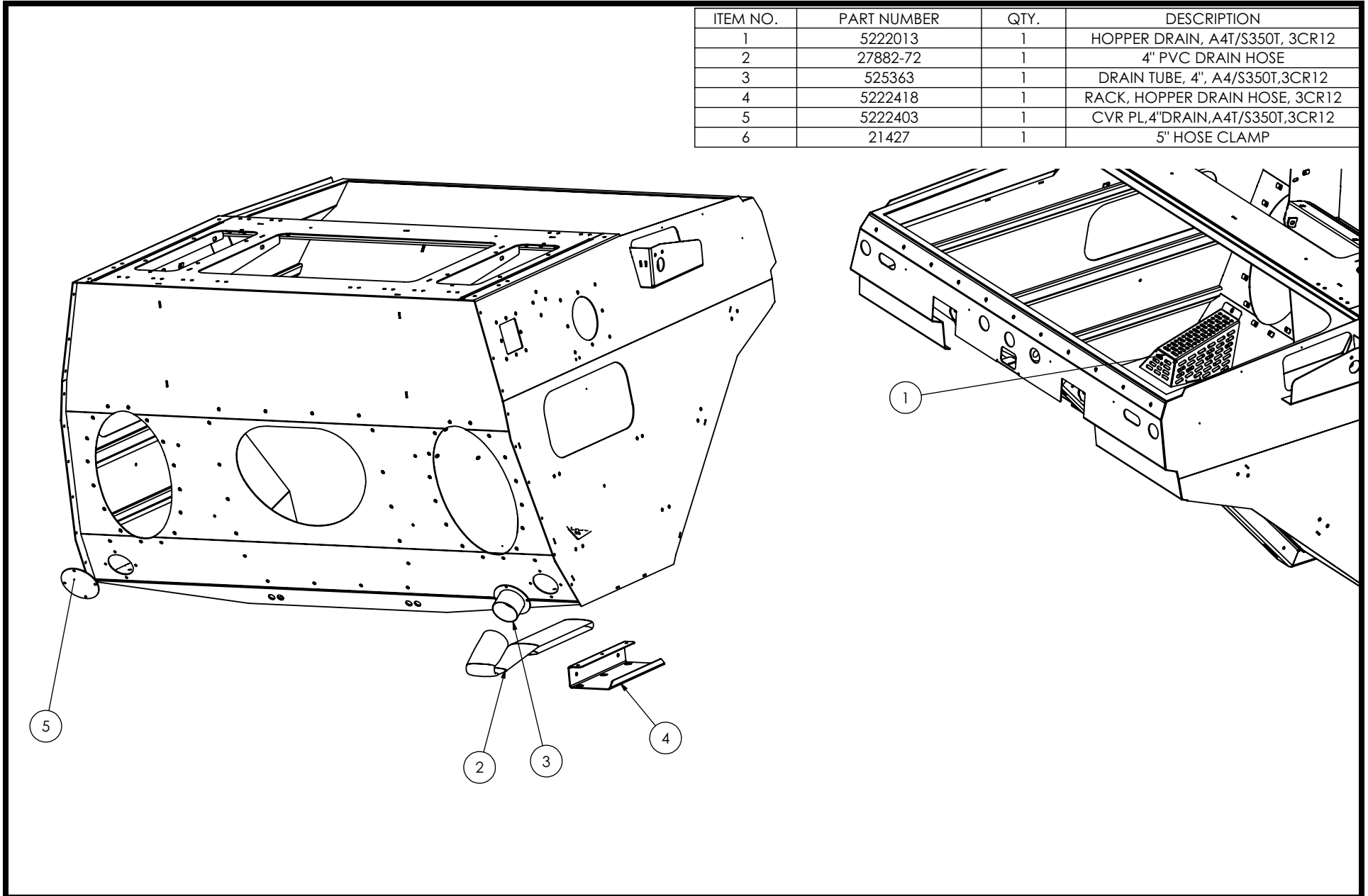




# Section 3 - Hopper

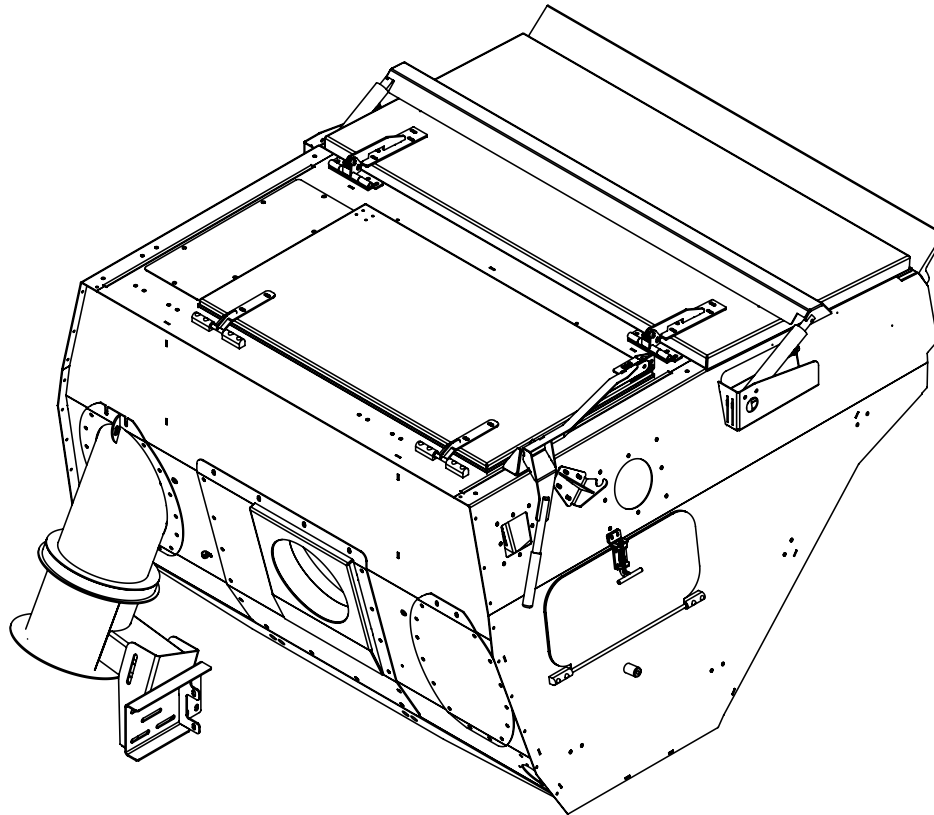
## 204L83 - HOPPER DRAIN

ITEM NO.	PART NUMBER	QTY.	DESCRIPTION
1	5222013	1	HOPPER DRAIN, A4T/S350T, 3CR12
2	27882-72	1	4" PVC DRAIN HOSE
3	525363	1	DRAIN TUBE, 4", A4/S350T,3CR12
4	5222418	1	RACK, HOPPER DRAIN HOSE, 3CR12
5	5222403	1	CVR PL,4"DRAIN,A4T/S350T,3CR12
6	21427	1	5" HOSE CLAMP



# Section 3 - Hopper

## 204Q87 - HOPPER, MS



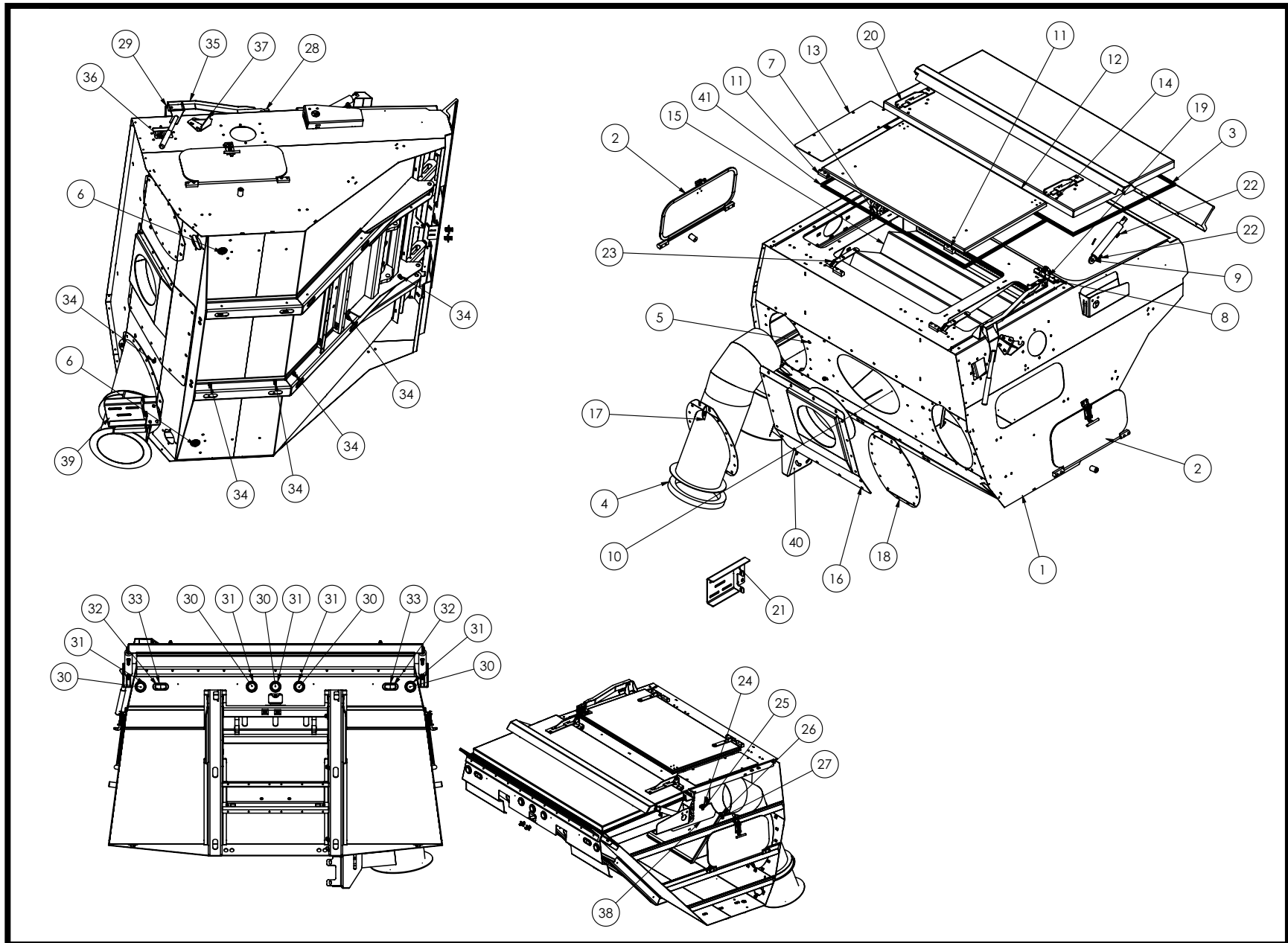
ITEM NO.	PART NUMBER	QTY.	DESCRIPTION
1	525429	1	HOPPER WELDMENT, MS, S350T/A4T
2	204Q73	2	INSP DOOR ASSY, S350T/A4T/S336
3	66036	1	6" RUBBER CLEAT CUSTOM LENGTH
4	24046	1	SEAL, INTAKE, A4
5	22863	2	3/8" GROMMET
6	20249	2	PLUG, 3/4" MNPT SQ HEAD
7	25312	6	CHAIN, 5/8" 6-LINKS
8	525432	2	WLD.BASE,HNG,DD,3CR12,S350/A4T
9	20928	2	HYD CYL, 1.5 X 6
10	525156	1	DOOR, DUST COLLECTION, A4T
11	28458	4	ALUMINUM HINGE, SHORT
12	525158	1	DOOR, WLDMNT, CLEAN OUT,AL,A4T
13	5221977	1	COVER, CLEAN OUT BLK, SS, A4T
14	525159	1	DOOR, WLDMNT, HOPPER, SS, A4T
15	525164	1	SCREEN WLDMNT, LHD, SS, A4T
16	525433	1	HOPPER/FAN INLET FLANGE, A4T
17	525166	1	INTAKE TUBE, HOPPER, LHD A4T
18	5222011	1	FLANGE, BLOCK OFF, A4T
19	525168	2	HOPPER DOOR HINGE UPPER, A4T
20	525169	2	HOPPER DOOR HINGE LOWER, A4T
21	525152	1	TRANS BRACKET,RH PICKUP,A4,T-4
22	65766	4	ELBOW, 90° 1/4 MORFS X 1/4 NP
23	525313	2	HINGE, CLEANOUT DOOR, AL, A4T
24	20425	2	SPRAY TIP, FLOOD JET FITTING
25	63128	1	TEE,RUN,1/4 NPT X 3/8 P2C
26	23846	2	1/4 FNPT X 1/8 FNPT REDUCER
27	28976	1	ELBOW,90,1/4 NPT X 3/8 P2C
28	5222128	1	MOUNT, HANDLE ATTACHMENT, 235
29	5222333	1	BKT, HANDLE PIVOT
30	20779	5	LIGHT, LED, 2" RED, SIDE MARKR
31	23136	5	GROMMET, 2" MARKER LIGHT
32	66304	2	STROBE, 3 LED,AMBER,A4T,S350T
33	66305	2	GROMMET,3 LED STRBE,A4T,S350T
34	20139	6	CLAMP, .50" RUBBER LINED
35	525348	1	HNDL,CLEANOUT DR,WLDMNT,A4T,LH
36	65398	1	DOOR HANDLE SAFETY COVER
37	525380	1	WELD, MAN, DMP HNDL REST, A4T
38	5222457	1	PLATE, WEAR, HOPPER SCREEN
39	525465	1	A4T SUCTION TUBE TRANS WELDMEN
40	5222999	1	A4T TRANS TUBE ADJUSTER
41	66127	165"	CLEAN OUT DOOR SEAL
42	66127	212"	DUMP DOOR SEAL

### ITEMS NOT SHOWN

ITEM NO.	PART NUMBER	QTY.	DESCRIPTION
43	64596	2	CONNECTOR, 4WAY RECEPTACLE
44	66154	1	DECAL, HOPPER LIFETIME WARRANT
45	20529	22FT	TUBING, 3/8" NYLON
46	66370	1	HARNES, HOPPER, S350T

# Section 3 - Hopper

204Q87 - HOPPER, MS



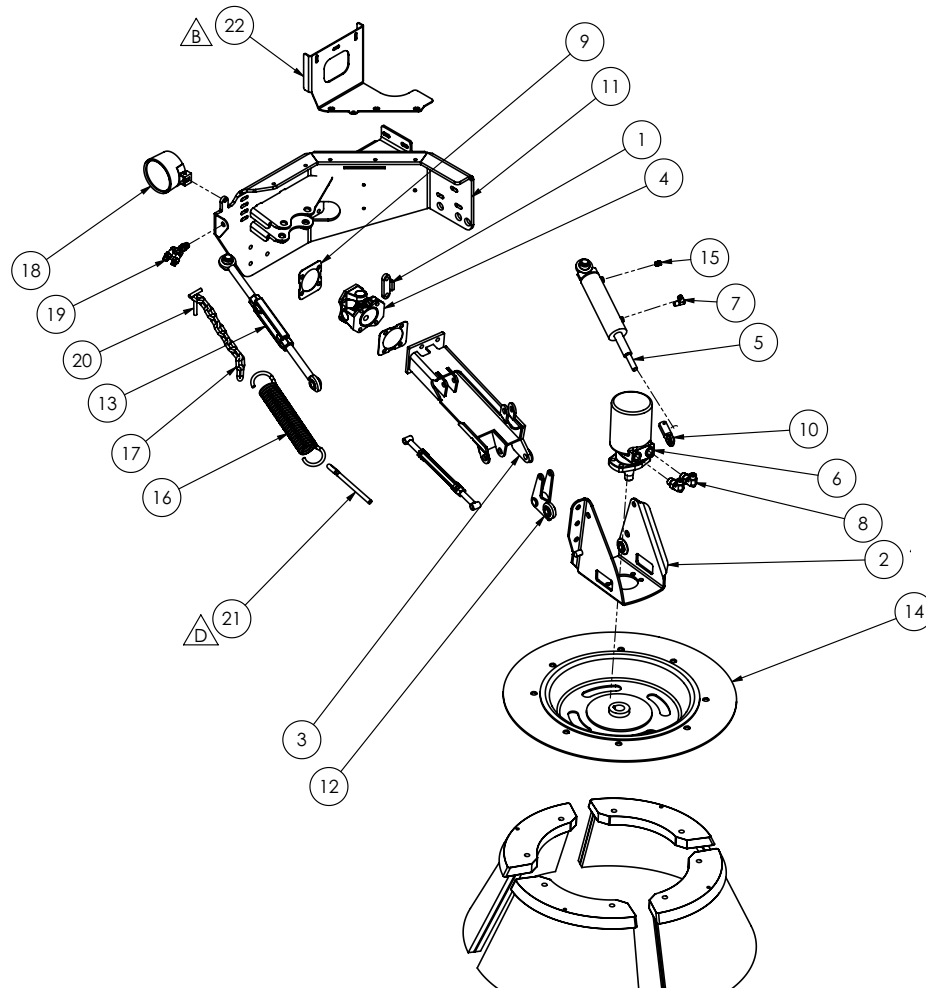
**Broom(s)**

---

4

# Section 4 - Broom(s)

## 204M91 - LH GUTTER BROOM, GAS



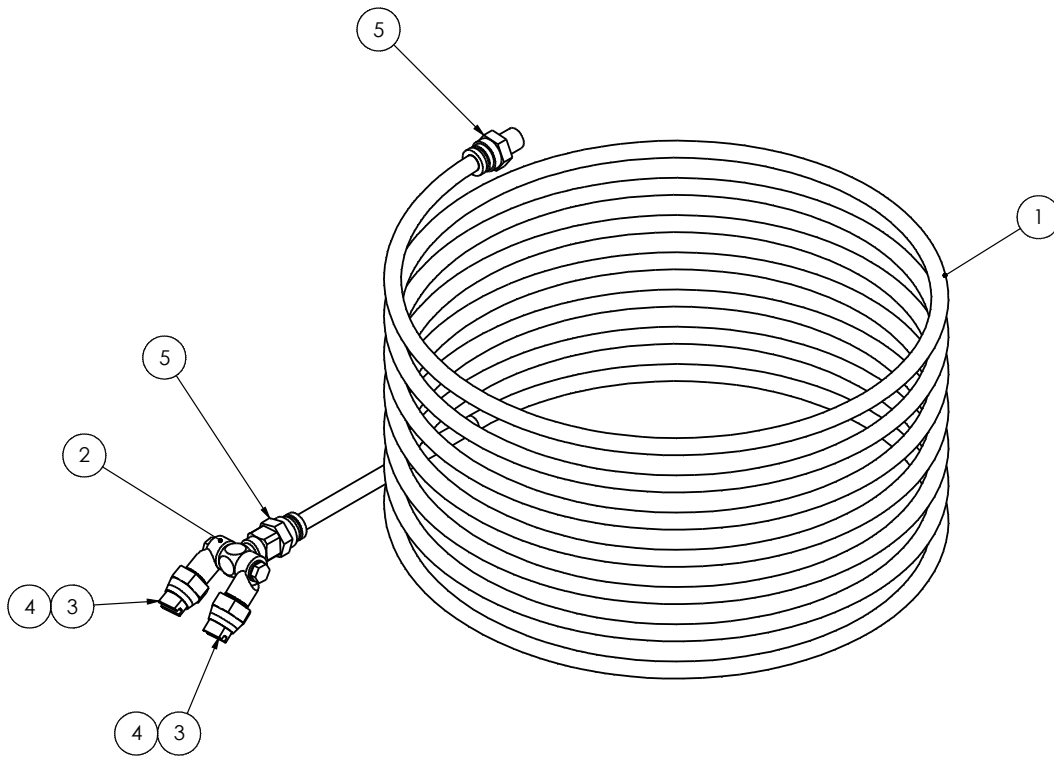
ITEM NO.	PART NUMBER	DESCRIPTION	QTY.
1	522956	STOP SHIM, GB	1
2	522104	LH G/B MOTOR MOUNT	1
3	525607	LH BROOM ARM WELDMENT	1
4	521794	U-JOINT BROOM ARM PIVOT	1
5	521093	CYLINDER 2 X 5 BROOM INNER	1
6	65620	MOTOR, HYD. MAG MNT, TAPER SH	1
7	65766	ELBOW, 90° 1/4 MORFS X 1/4 NP	1
8	61047	ELBOW,90 1/2 MORFS X 5/8 MORB	2
9	5207349	SHIM, FLANGE YOKE	2
10	5207160	5/8-18 ROD END DRILLED & TAPPED	1
11	523847	LH GB ASSY TIERIII W4 GMC	1
12	522423	LH TILT ADJUSTER G\B	1
13	525649	TURNBUCKLE, 7/8, G/B	1
14	300244	DISC, GUTTER BROOM	1
15	21930	PLUG, 1/4" NPT VENTED PIPE	1
16	21478	SPRING, 2" X 12"	1
17	20816	CHAIN, 5/16", 16-1/4" LONG	1
18	61541	LED PAR 36 FLOOD LIGHT	1
19	203V96	DUST SUPPRESSION, GB, A4000	1
20	522209	TEE PIN G/B SPRING RETAINER	1
21	31904	1/2-13 X 6 EYEBOLT-BENT ZINC	1
22	5221961	FUEL/FUSE BOX BRACKET W4 TIER3	1
* 23	525356	HOSE MNFLD TO LH BROOM MTR	1
* 24	525381	HOSE, LH GB MTR PRESSURE	1

\* ITEMS NOT SHOWN

## Section 4 - Broom(s)

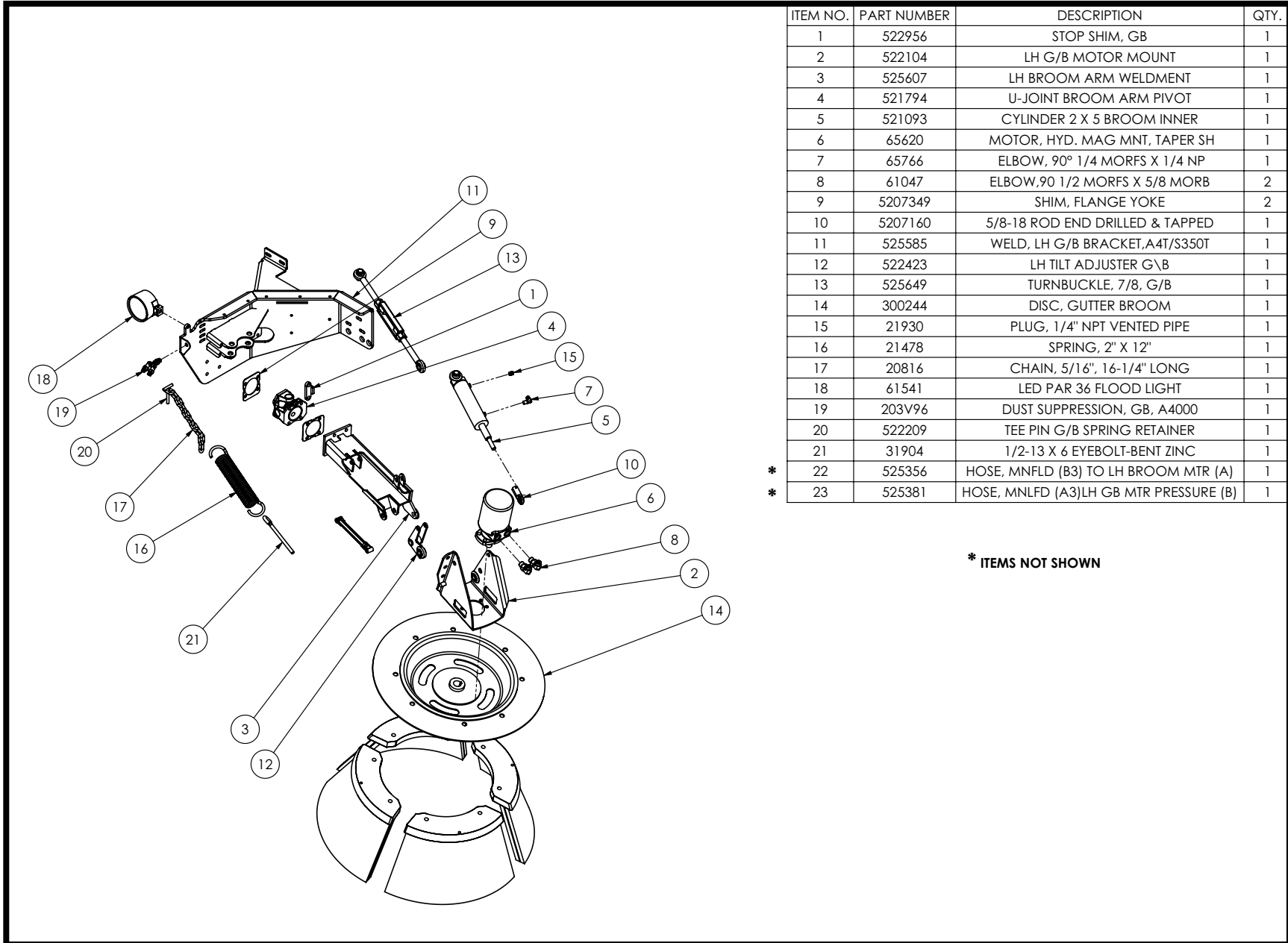
### 203V96 - DUST SUPPRESSION, GB

ITEM NO.	PART NUMBER	QTY.	DESCRIPTION
1	20529-120	1	TUBING, 3/8" NYLON, 120" LONG
2	20463	1	SPRAY TIP, DOUBLE SWIVEL
3	22542	2	SPRAY TIP YELLOW
4	27598	2	WATER FILTER 100 MEST
5	54240	2	ADAPTER, 1/4 NPT X 3/8 P2C



# Section 4 - Broom(s)

## 204M51 - LH GUTTER BROOM, DIESEL

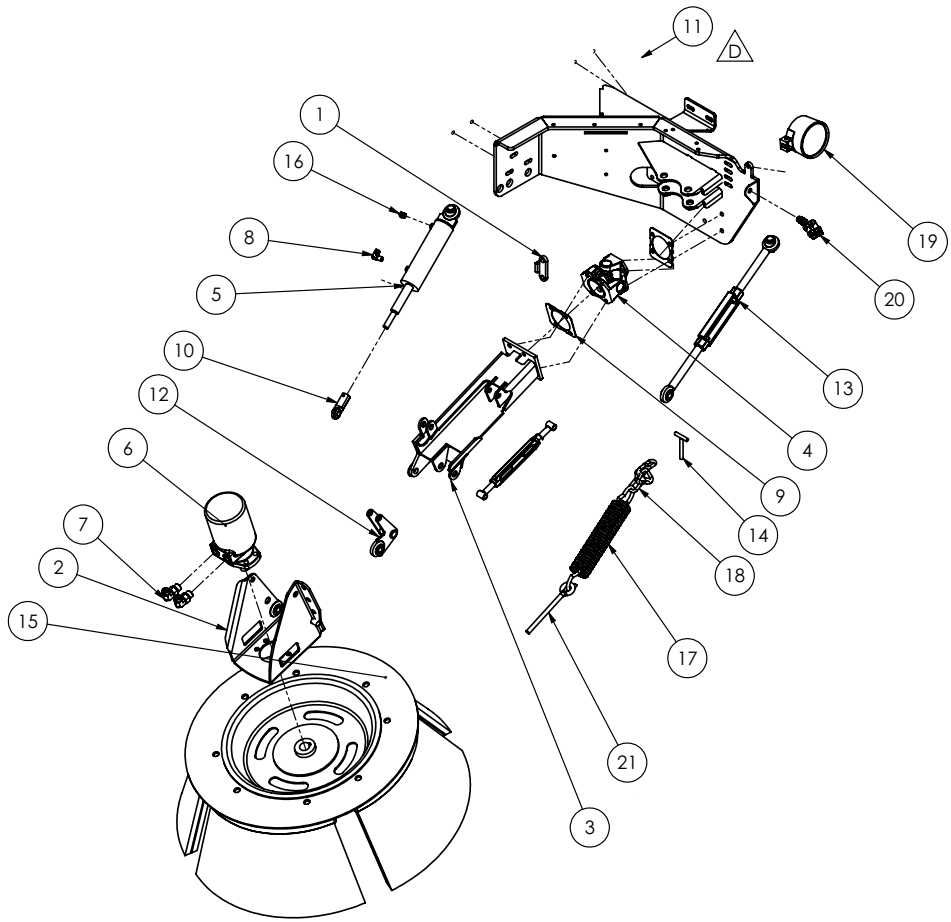


ITEM NO.	PART NUMBER	DESCRIPTION	QTY.
1	522956	STOP SHIM, GB	1
2	522104	LH G/B MOTOR MOUNT	1
3	525607	LH BROOM ARM WELDMENT	1
4	521794	U-JOINT BROOM ARM PIVOT	1
5	521093	CYLINDER 2 X 5 BROOM INNER	1
6	65620	MOTOR, HYD. MAG MNT, TAPER SH	1
7	65766	ELBOW, 90° 1/4 MORFS X 1/4 NP	1
8	61047	ELBOW, 90 1/2 MORFS X 5/8 MORB	2
9	5207349	SHIM, FLANGE YOKE	2
10	5207160	5/8-18 ROD END DRILLED & TAPPED	1
11	525585	WELD, LH G/B BRACKET, A4T/S350T	1
12	522423	LH TILT ADJUSTER G\B	1
13	525649	TURNBUCKLE, 7/8, G/B	1
14	300244	DISC, GUTTER BROOM	1
15	21930	PLUG, 1/4" NPT VENTED PIPE	1
16	21478	SPRING, 2" X 12"	1
17	20816	CHAIN, 5/16", 16-1/4" LONG	1
18	61541	LED PAR 36 FLOOD LIGHT	1
19	203V96	DUST SUPPRESSION, GB, A4000	1
20	522209	TEE PIN G/B SPRING RETAINER	1
21	31904	1/2-13 X 6 EYEBOLT-BENT ZINC	1
*	525356	HOSE, MNFLD (B3) TO LH BROOM MTR (A)	1
*	525381	HOSE, MNFLD (A3)LH GB MTR PRESSURE (B)	1

\* ITEMS NOT SHOWN

# Section 4 - Broom(s)

## 204M50 - RH GUTTER BROOM, DIESEL



ITEM NO.	PART NUMBER	DESCRIPTION	QTY.
1	522956	STOP SHIM, GB	1
2	522105	RH G/B MOTOR MOUNT	1
3	525608	BROOM ARM, RIGHT	1
4	521794	U-JOINT BROOM ARM PIVOT	1
5	521093	CYLINDER 2 X 5 BROOM INNER	1
6	65620	MOTOR, HYD. MAG MNT, TAPER SH	1
7	61047	ELBOW, 90 1/2 MORFS X 5/8 MORB	2
8	65766	ELBOW, 90° 1/4 MORFS X 1/4 NP	1
9	5207349	SHIM, FLANGE YOKE	2
10	5207160	5/8-18 ROD END DRILLED & TAPPED	1
11	525584	WELD, RH G/B BRACKET, A4T/S350T	1
12	522424	TILT ADJUSTER RH G\B A4000	1
13	525649	TURNBUCKLE, 7/8, G/B	1
14	522209	TEE PIN G/B SPRING RETAINER	1
15	300244	DISC, GUTTER BROOM	1
16	21930	PLUG, 1/4" NPT VENTED PIPE	1
17	21478	SPRING, 2" X 12"	1
18	20816	CHAIN, 5/16", 16-1/4" LONG	1
19	61541	LED PAR 36 FLOOD LIGHT	1
20	203V96	DUST SUPPRESSION, GB, A4000	1
21	31904	1/2-13 X 6 EYEBOLT-BENT ZINC	1
*	525268	HOSE, ,MNFLD TO RH GB MTER	1
*	525383	HOSE, RH GB MTR PRESSURE	1
*	525384	HOSE, RH GB LIFT CYL	1

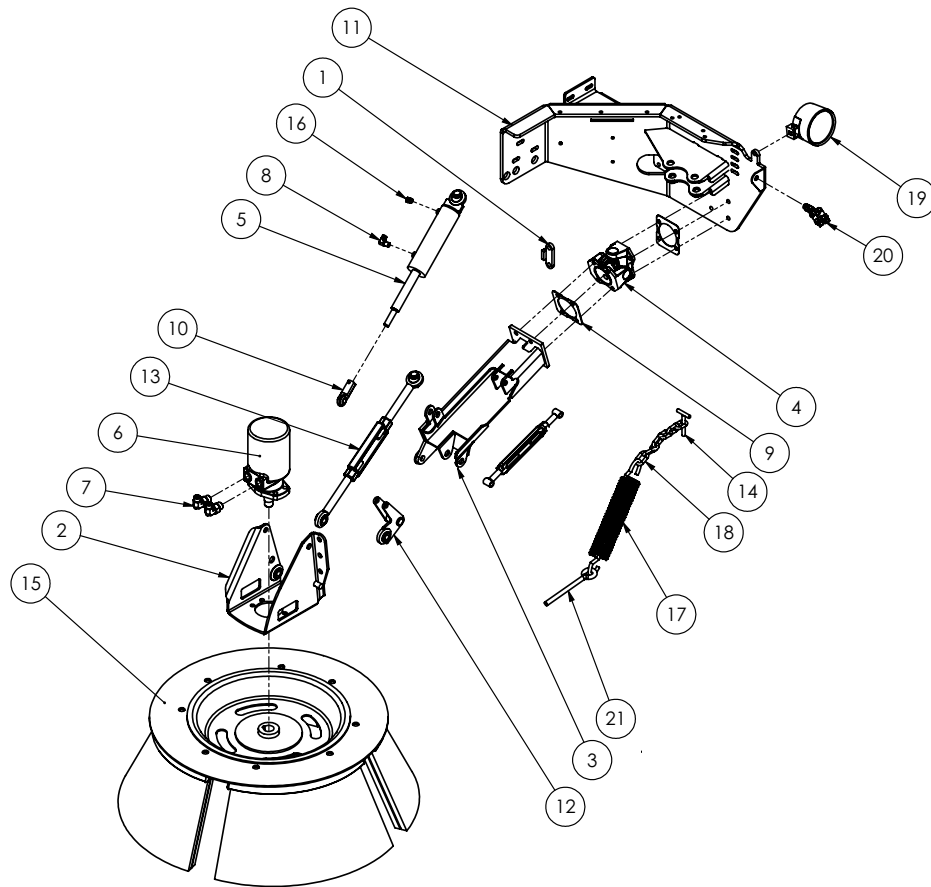
\* ITEMS NOT SHOWN



# Section 4 - Broom(s)

## 204M90 - RH GUTTER BROOM, GAS

ELECTRICAL



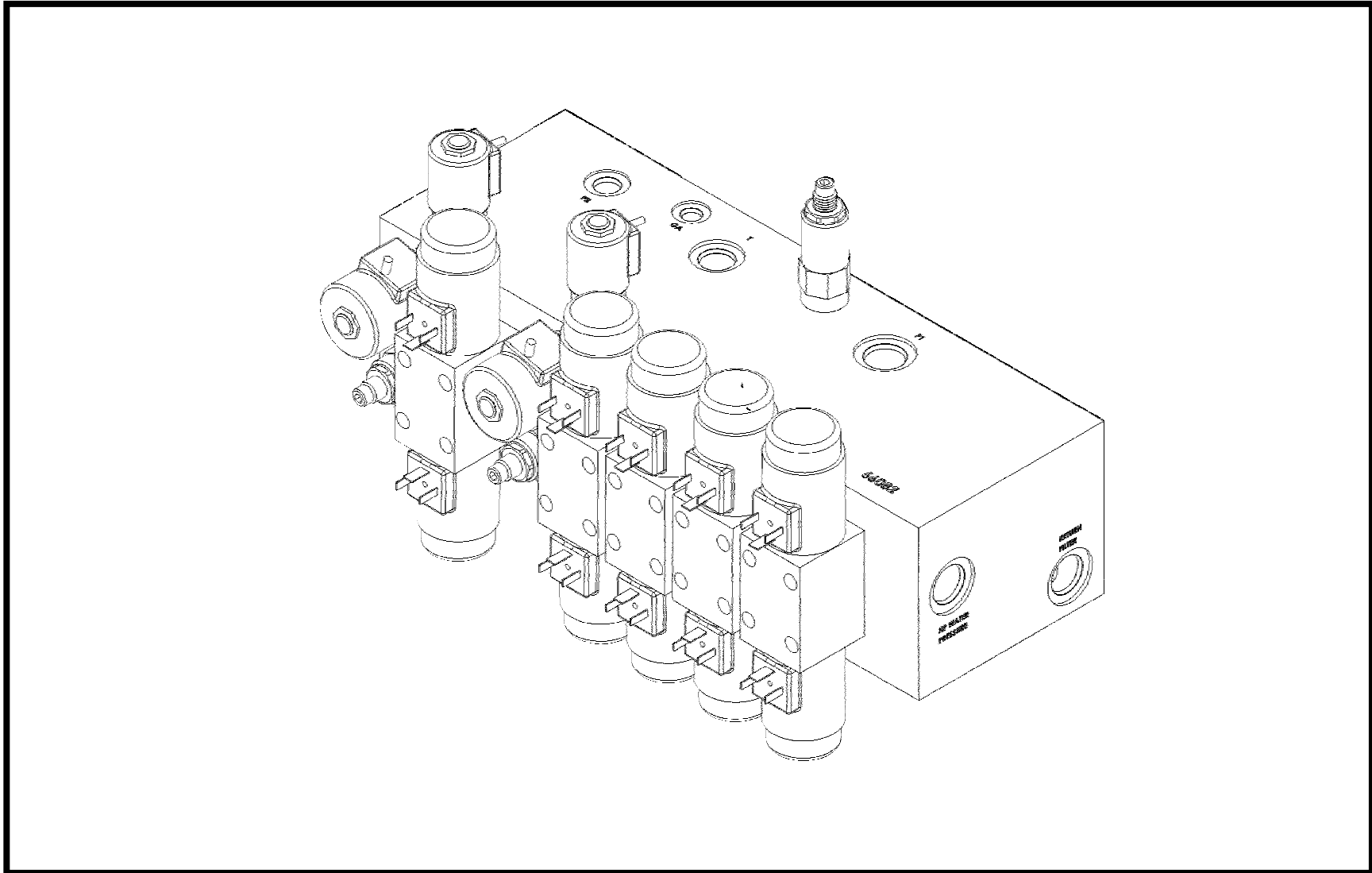
ITEM NO.	PART NUMBER	DESCRIPTION	QTY.
1	522956	STOP SHIM, GB	1
2	522105	RH G/B MOTOR MOUNT	1
3	525608	BROOM ARM, RIGHT	1
4	521794	U-JOINT BROOM ARM PIVOT	1
5	521093	CYLINDER 2 X 5 BROOM INNER	1
6	65620	MOTOR, HYD. MAG MNT, TAPER SH	1
7	61047	ELBOW, 90 1/2 MORFS X 5/8 MORB	2
8	65766	ELBOW, 90° 1/4 MORFS X 1/4 NP	1
9	5207349	SHIM, FLANGE YOKE	2
10	5207160	5/8-18 ROD END DRILLED & TAPPED	1
11	525300	BRKT, RH G/B, S350, GAS	1
12	522424	TILT ADJUSTER RH G\B A4000	1
13	525649	TURNBUCKLE, 7/8, G/B	1
14	522209	TEE PIN G/B SPRING RETAINER	1
15	300244	DISC, GUTTER BROOM	1
16	21930	PLUG, 1/4" NPT VENTED PIPE	1
17	21478	SPRING, 2" X 12"	1
18	20816	CHAIN, 5/16", 16-1/4" LONG	1
19	61541	LED PAR 36 FLOOD LIGHT	1
20	203V96	DUST SUPPRESSION, GB, A4000	1
21	31904	1/2-13 X 6 EYEBOLT-BENT ZINC	1
22	525268	HOSE, MNFLD, TO RH GB MTR	1
23	525383	HOSE, RH GB MTR PRESSURE	1
24	525384	HOSE, RH GB LIFT CYL	1

\*  
\*  
\*

\* ITEMS NOT SHOWN

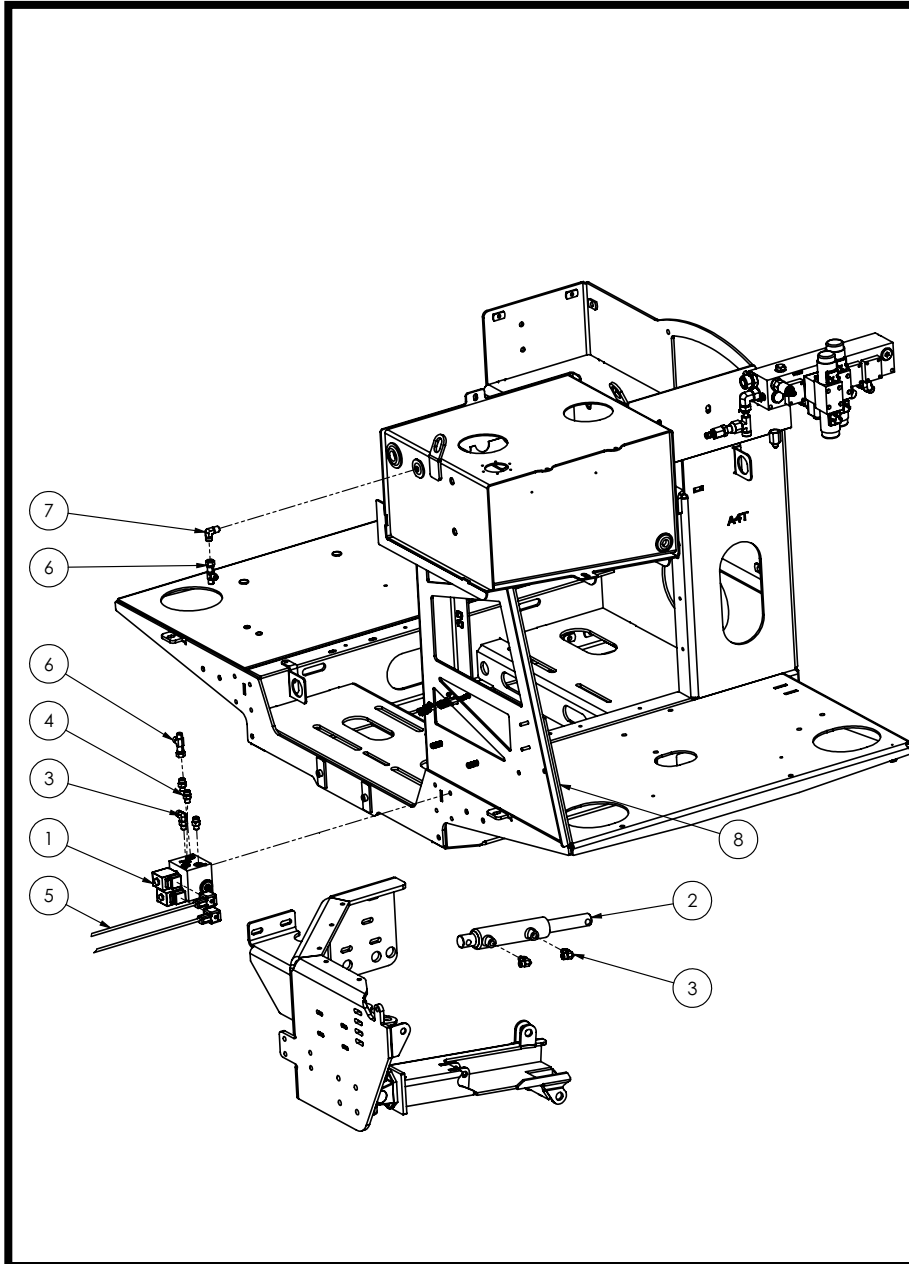
## Section 4 - Broom(s)

66082 - MANIFOLD, DO2 W/G/B CIR.



# Section 4 - Broom(s)

## 204M47 - TILT LH GUTTER BROOM



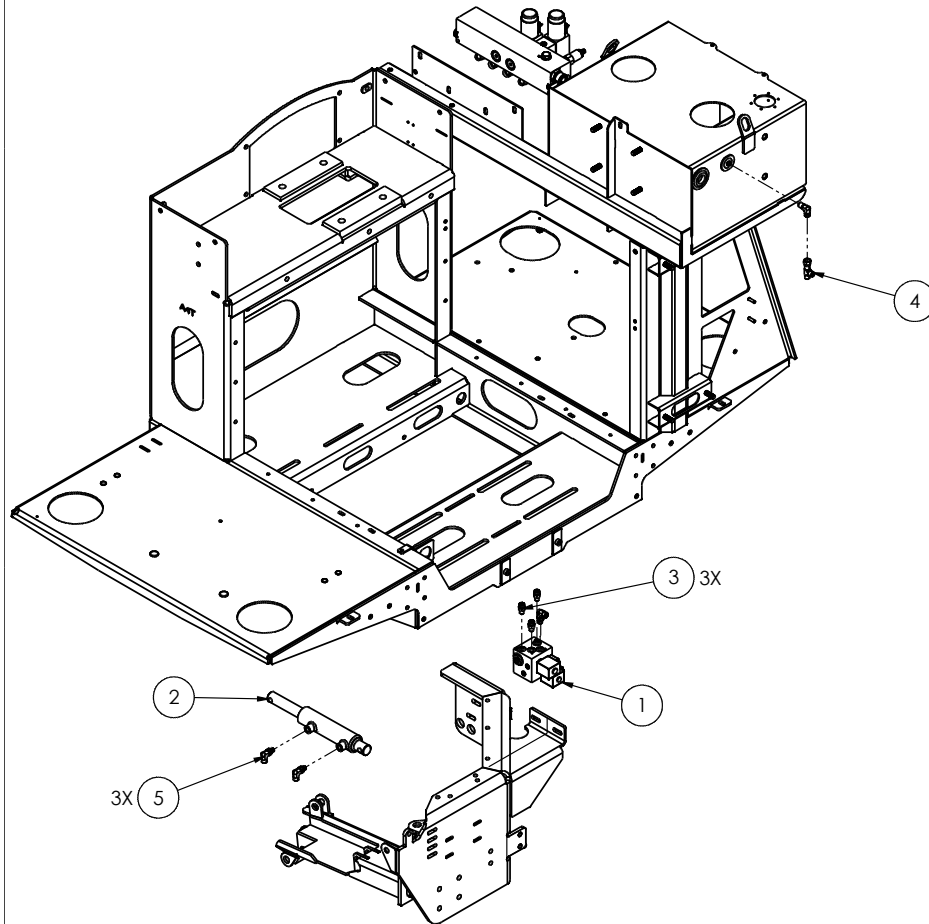
ITEM NO.	PART NUMBER	DESCRIPTION	QTY.
1	29707	VALVE ASSY, GUTTER BROOM TILT	1
2	63428	CYLINDER, 1 1/2 X 3 3/4 HYD.	1
3	61028	ELBOW, 90 1/4 MORFS X 1/4 MORB	3
4	61030	1/4" MORFS X 1/4" MORB	3
5	24308	DIN CONNECTOR W/ MOLDED CABLE	2
6	66105	TEE, RUN, 1,4" FORF MORF MORF	2
7	65766	ELBOW, 90° 1/4 MORFS X 1/4 NP	1
8	66860	PAD, WATER TANK	1

### ITEMS NOT SHOWN

ITEM NO.	PART NUMBER	DESCRIPTION	QTY.
9	20879	2-PIN WEATHER PACK TOWER	1
10	20861	2-PIN WEATHER PACK SHROUD	1
11	20864	CONNECTOR, FEMALE PIN	2
12	25516	20-14 WEATHER PACK SEAL	4
13	525256	LH,TILT MANFLD C2/BUT TILT CYL	1
14	525257	LH,TILT MNFLD C1/ROD TILT CYL	1
15	525261	MAIN MNFLD A4 / LH TILT PORT P	1
16	525258	HOSE, LH TILT MNFLD TO TANK	1

# Section 4 - Broom(s)

## 204M48 - TILT RH GUTTER BROOM



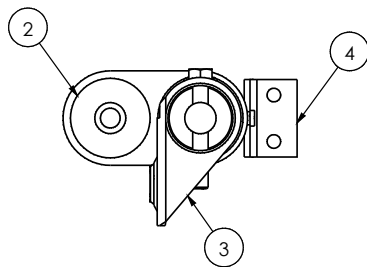
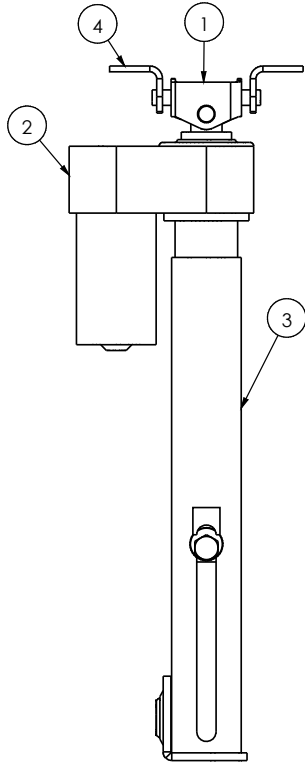
ITEM NO.	PART NUMBER	DESCRIPTION	QTY.
1	29707	VALVE ASSY, GUTTER BROOM TILT	1
2	63428	CYLINDER, 1 1/2 X 3 3/4 HYD.	1
3	61030	1/4" MORFS X 1/4" MORB	3
4	66105	TEE, RUN, 1,4" FORF MORF MORF	1
5	61028	ELBOW, 90 1/4 MORFS X 1/4 MORB	4

### ITEMS NOT SHOWN

ITEM NO.	PART NUMBER	DESCRIPTION	QTY.
6	20879	2-PIN WEATHER PACK TOWER	1
7	20861	2-PIN WEATHER PACK SHROUD	1
8	20864	CONNECTOR, FEMALE PIN	2
9	25516	20-14 WEATHER PACK SEAL	4
10	525258	HOSE, LH TILT MNFLD TO TANK	1
11	525263	RH TILT C2/BUTT END CYL	1
12	525259	RH, TILT MNFLD C1/ ROD TILT CYL	1
13	525262	MAIN MNFLD A3/ RH TILT PORT P	1
14	20881	CONNECTOR, MALE PIN	2
15	61051	ADAPTER, 1/2 FORFS X 1/4 MORFS	1

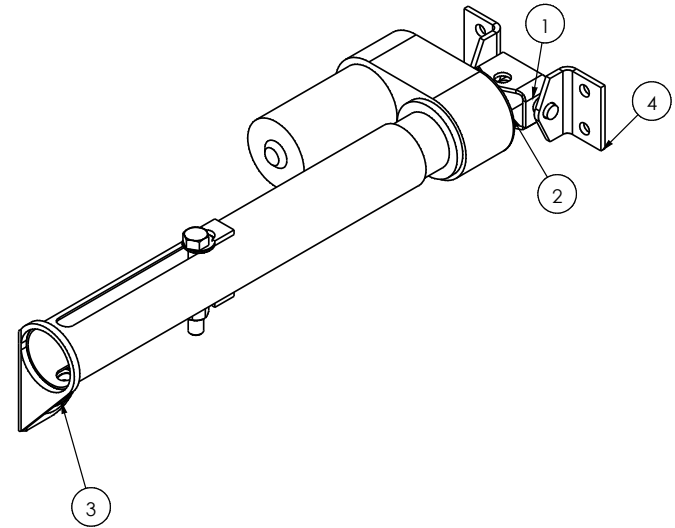
# Section 4 - Broom(s)

## 203414 - GEO LH GUTTER BROOM



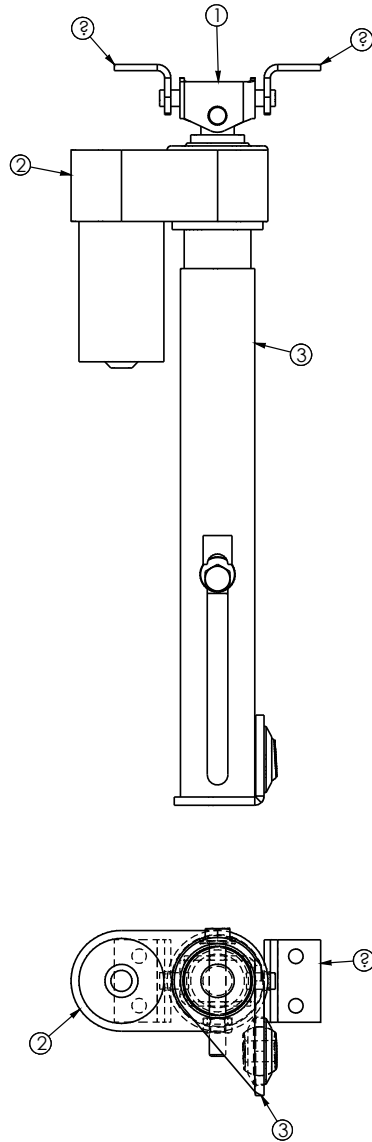
ITEM NO.	PART NUMBER	QTY.	DESCRIPTION
1	522146	1	ACTUATOR, MOUNT, GEO
2	24139	1	ACTUATOR, 6", 12V, BALL SCREW
3	522144	1	TUBE, LH, GEO
4	5211063	2	HINGE PLATE, ACTUATOR MOUNT

ADD CONSOLE, GEO LHS, #203415 TO ASSEMBLY



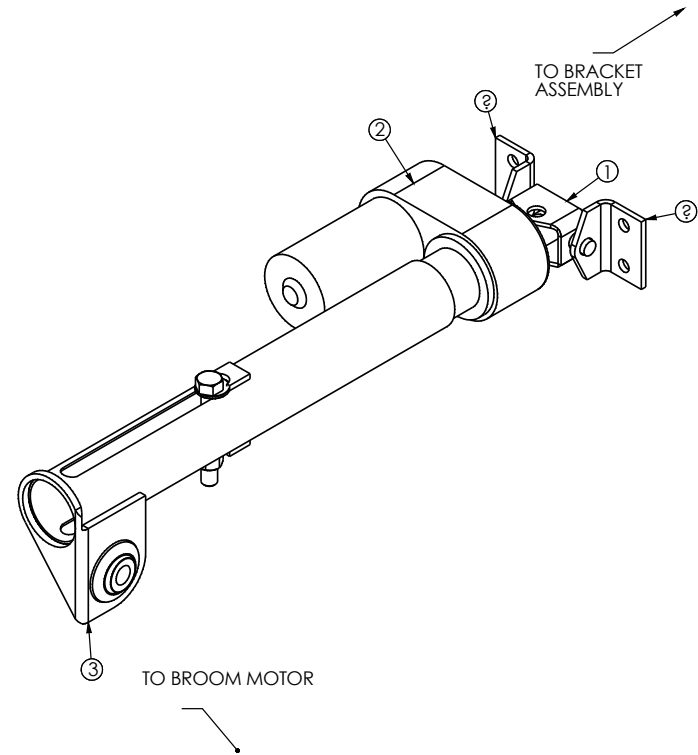
# Section 4 - Broom(s)

## 203410 - GEO RH GUTTER BROOM



ITEM NO.	PART NUMBER	QTY.	DESCRIPTION
1	522146	1	ACTUATOR, MOUNT, GEO
2	24139	1	ACTUATOR, 6", 12V, BALL SCREW
3	522145	1	TUBE, RH, GEO
4	5211063	2	HINGE PLATE, ACTUATOR MOUNT

ADD CONSOLE, GEO RHS, #203411 TO ASSEMBLY



**Body**

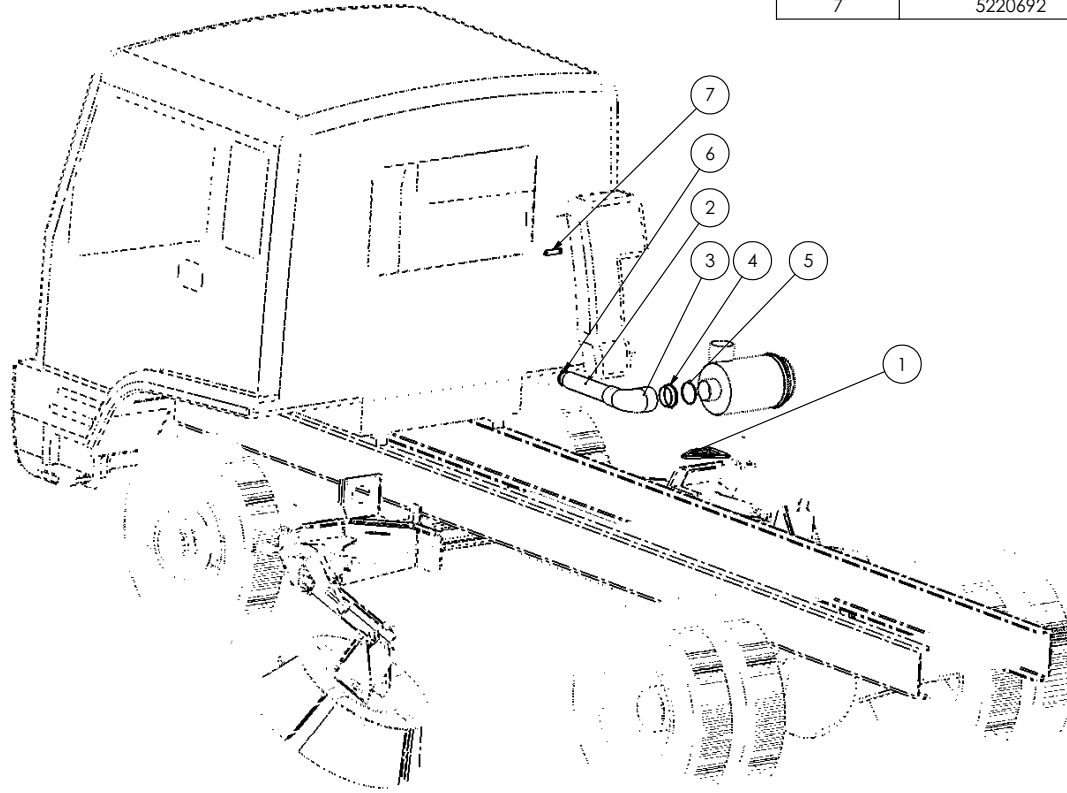
---

**5**

# Section 5 - Body

## 204F64 - AIR INTAKE MOD, DUAL BROOM

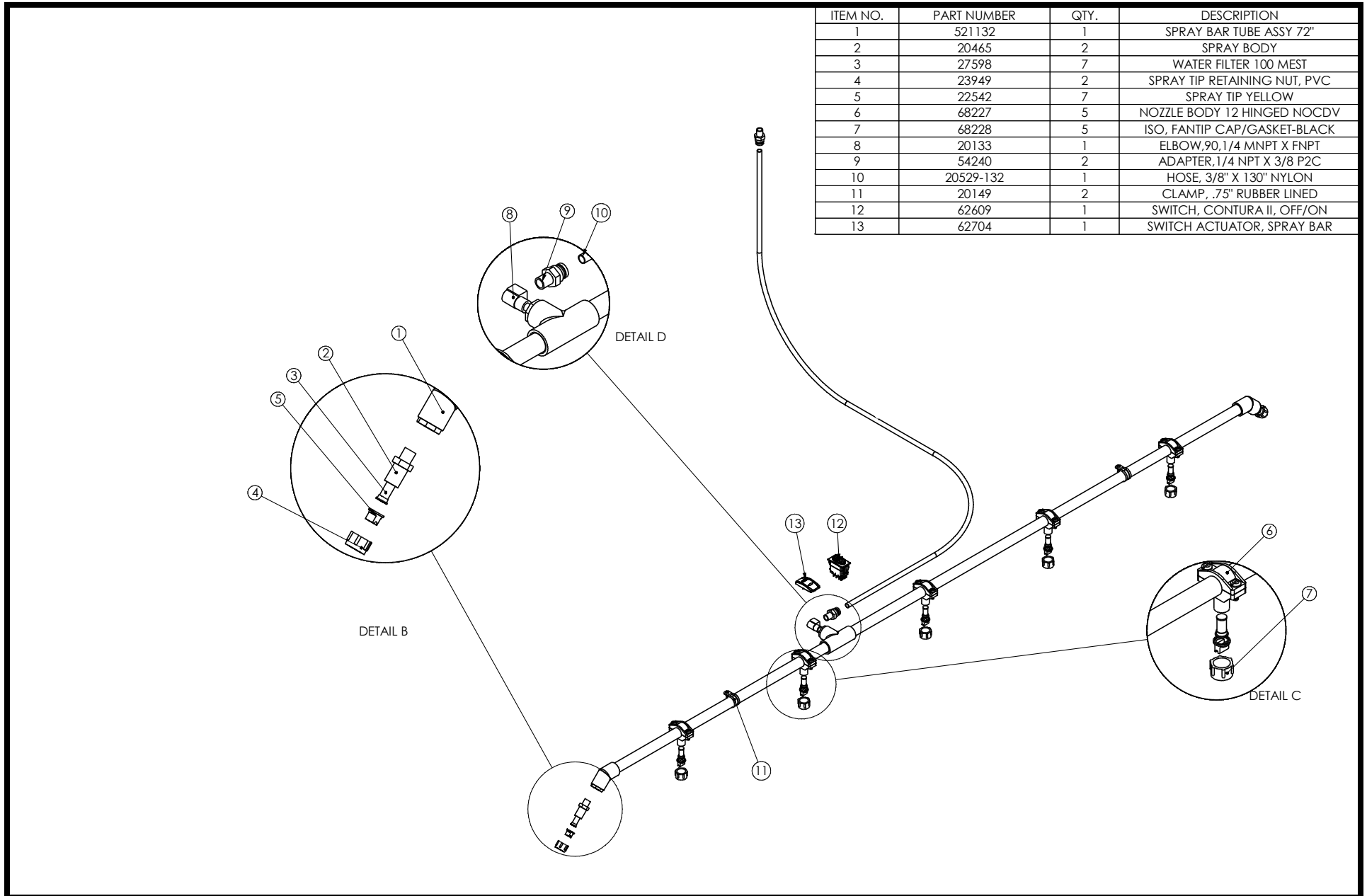
ITEM NO.	PART NUMBER	QTY.	DESCRIPTION
1	5222485	1	SPACER,AIR CLEANER, A4T, S350T
2	5220693	1	AIR INTAKE EXTENSION PIPE
3	64572	1	ELBO, SILICONE,RED, 4 X 3 X 90
4	26240	1	40R375 REDUCING INSERT 4 TO 3.75
5	20828	1	HOSE CLAMP 4"
6	24041	1	HOSE CLAMP, 2-5/16 TO 3-1/4
7	5220692	1	AIR INTAKE BRACKET





# Section 5 - Body

## 203V94 - FRONT SPRAY BAR



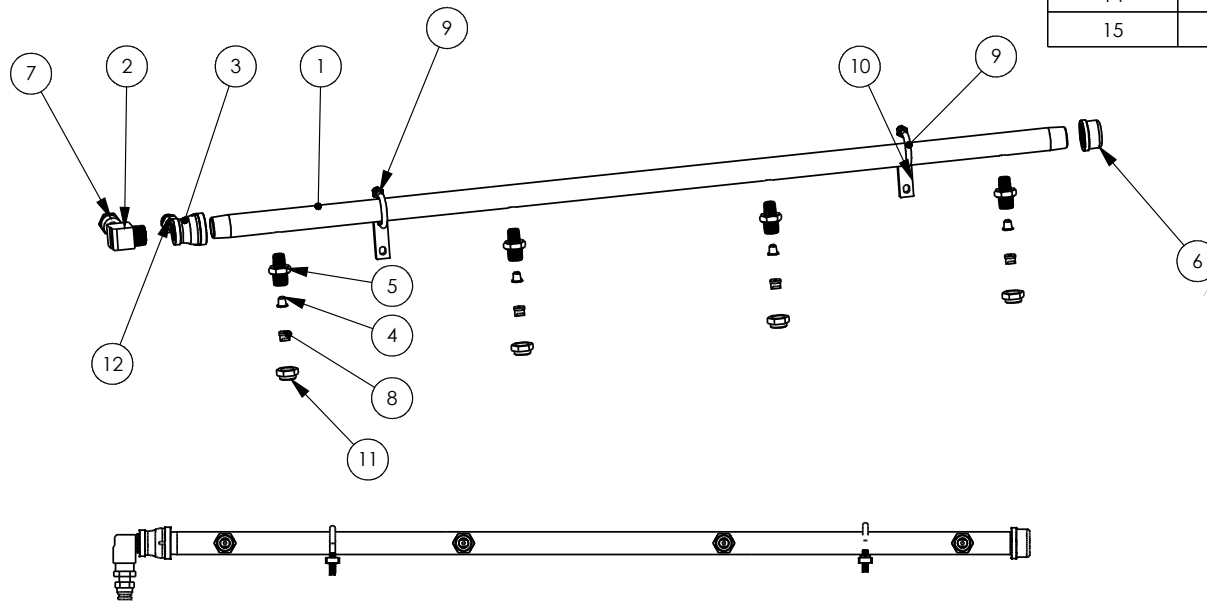
# Section 5 - Body

## 205A37 - HOPPER SPRAYBAR

ITEM NO.	PART NUMBER	QTY.	DESCRIPTION
1	5207733	1	SPRAY BAR 42" HOPPER/HEAD
2	20972	1	ELBOW, 90° 1/2 NPT BRASS
3	21723	1	REDUCER, 1/2 X 3/4 BELL PIPE
4	66412	4	STRAINER, 50M BRASS, UNIJET
5	20408	4	SPRAY TIP 1/4 MPT
6	53067	1	CAP, 3/4
7	21342	1	REDUCER, 1/2 MNPT X 1/4 FNPT, BRASS
8	20406	4	SPRAY TIP, BRASS
9	32282	2	U-BOLT, 1/4-20 X 1-1/8
10	5216714	2	TIEBAR, 1/4" U-BOLT
11	20420	4	SPRAY TIP RETAINER
12	54240	1	ADAPTER, 1/4 NPT X 3/8 P2C

### ITEMS BELOW NOT SHOWN

ITEM NO.	PART NUMBER	QTY.	DESCRIPTION
13	22863	1	3/8" GROMMET
14	62705	1	SWITCH ACTUATOR, HOPR SPRAYBAR
15	62919	1	SWITCH, CARL, OFF-ON, NO ROCKER



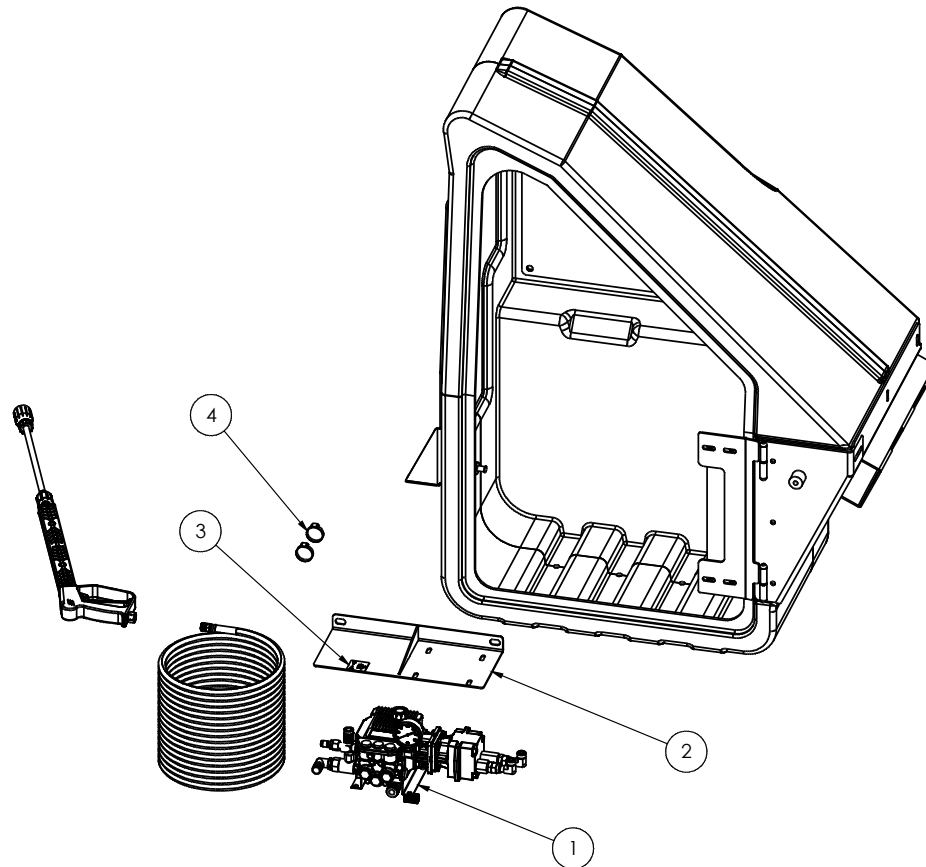
# Section 5 - Body

## 204R65- HI-PRES WASH SYSTEM

ITEM NO.	PART NUMBER	QTY.	DESCRIPTION
1	204R64	1	KIT, HI-PRESS WASH, A4T
2	525579	1	WELD, HI-PRESS PUMP MOUNT
3	65747	1	PANEL, PRESSURE WASHER
4	24687	2	HOSE CLAMP 2"

ITEMS NOT SHOWN

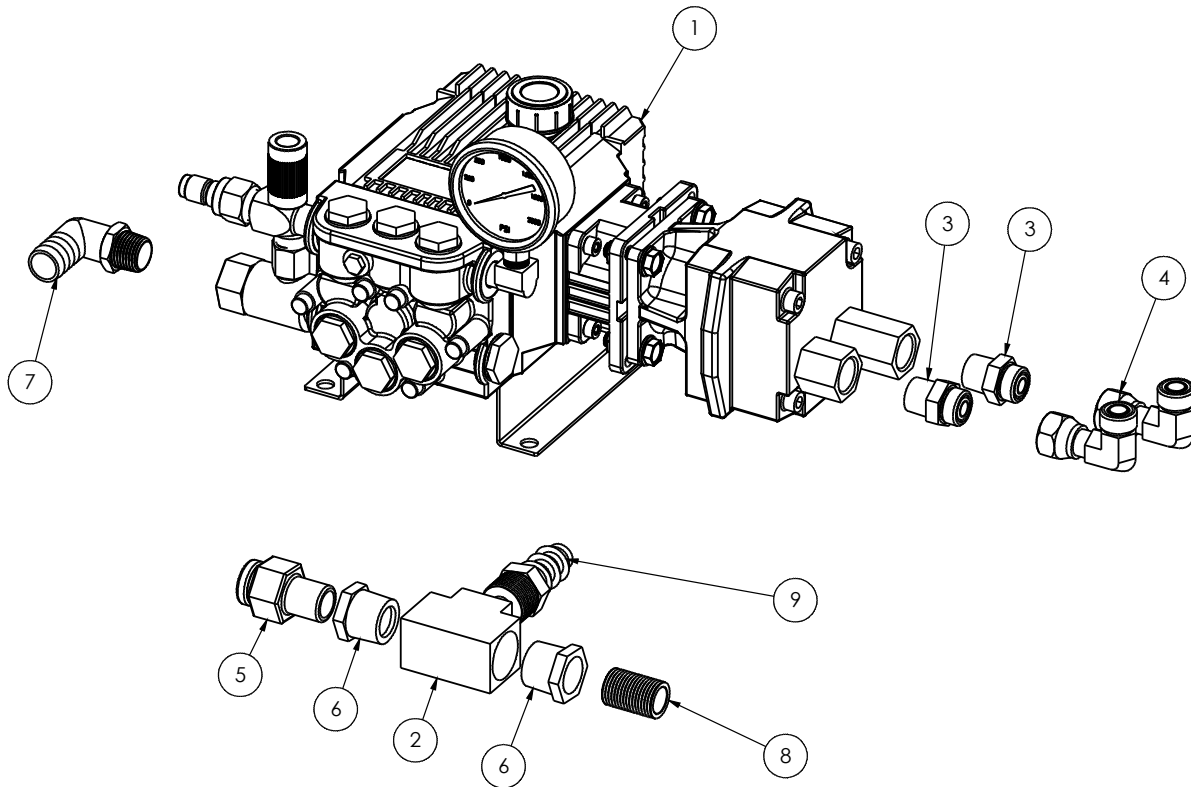
ITEM NO.	PART NUMBER	QTY.	DESCRIPTION
5	203D36	1	CONSOLE, HIGH PRESSURE WASH
6	525580	2	HOSE, 1/2 X 205", HP ORFS
7	26633	1	HOSE, 3/4 PUSH-LOK WTR BY INCH



# Section 5 - Body

## 204R64 - HIGH PRESSURE WATER PUMP

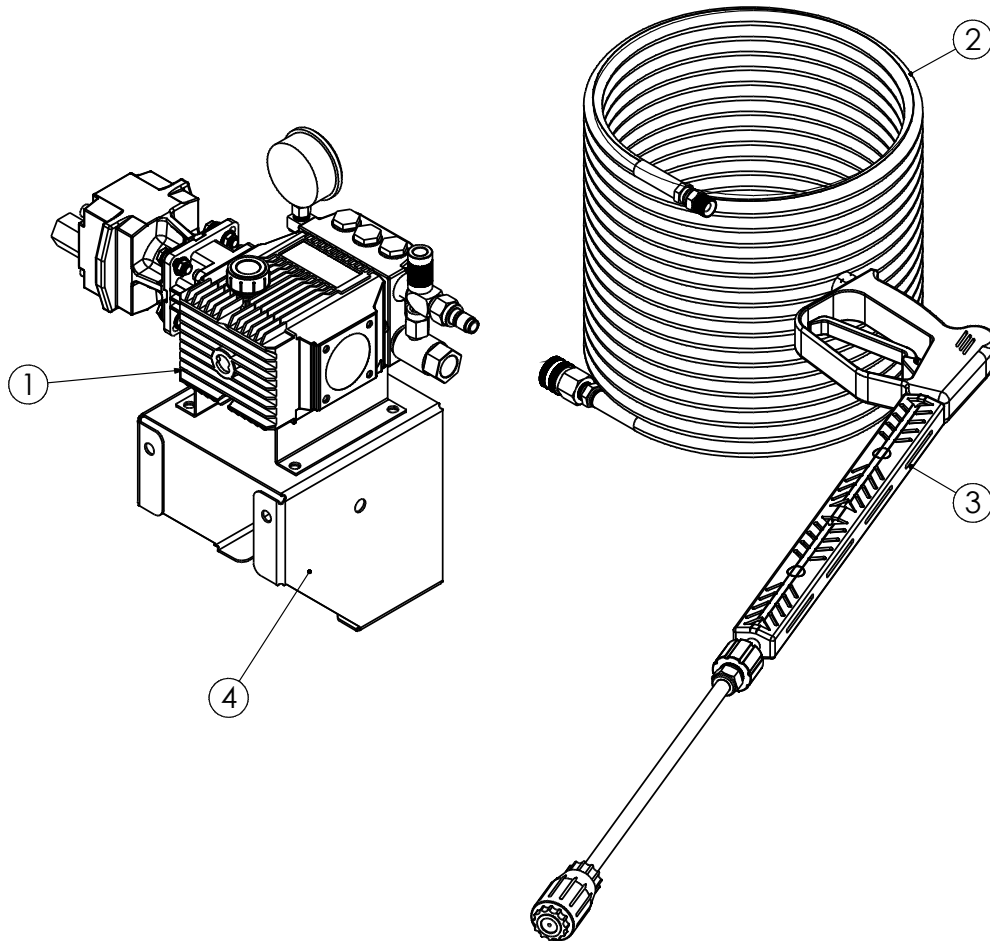
ITEM NO.	PART NUMBER	Default/QTY.	DESCRIPTION
1	60114	1	1500 PSI PUMP-MOTOR
2	26855	1	TEE, 3/4" NPT UNION BRASS
3	64078	2	ADAPTER, 1/2 MORFS X 1/2 MNPT
4	61050	2	ELBOW 90 1/2 MORFS X 1/2 FORFS
5	60188	1	CONNECTOR, 3/4 AIR X 1/2 NPT
6	54718	2	BUSHING,3/4 MNPT X 1/2 FNPT,BRASS
7	65924	1	ELBOW, 90° 1/2 NPT TO 3/4 HB
8	21100	1	1/2" CLOSE NIPPLE
9	26932	1	HOSE BARB, 3/4" NPT TO 3/4"



# Section 5 - Body

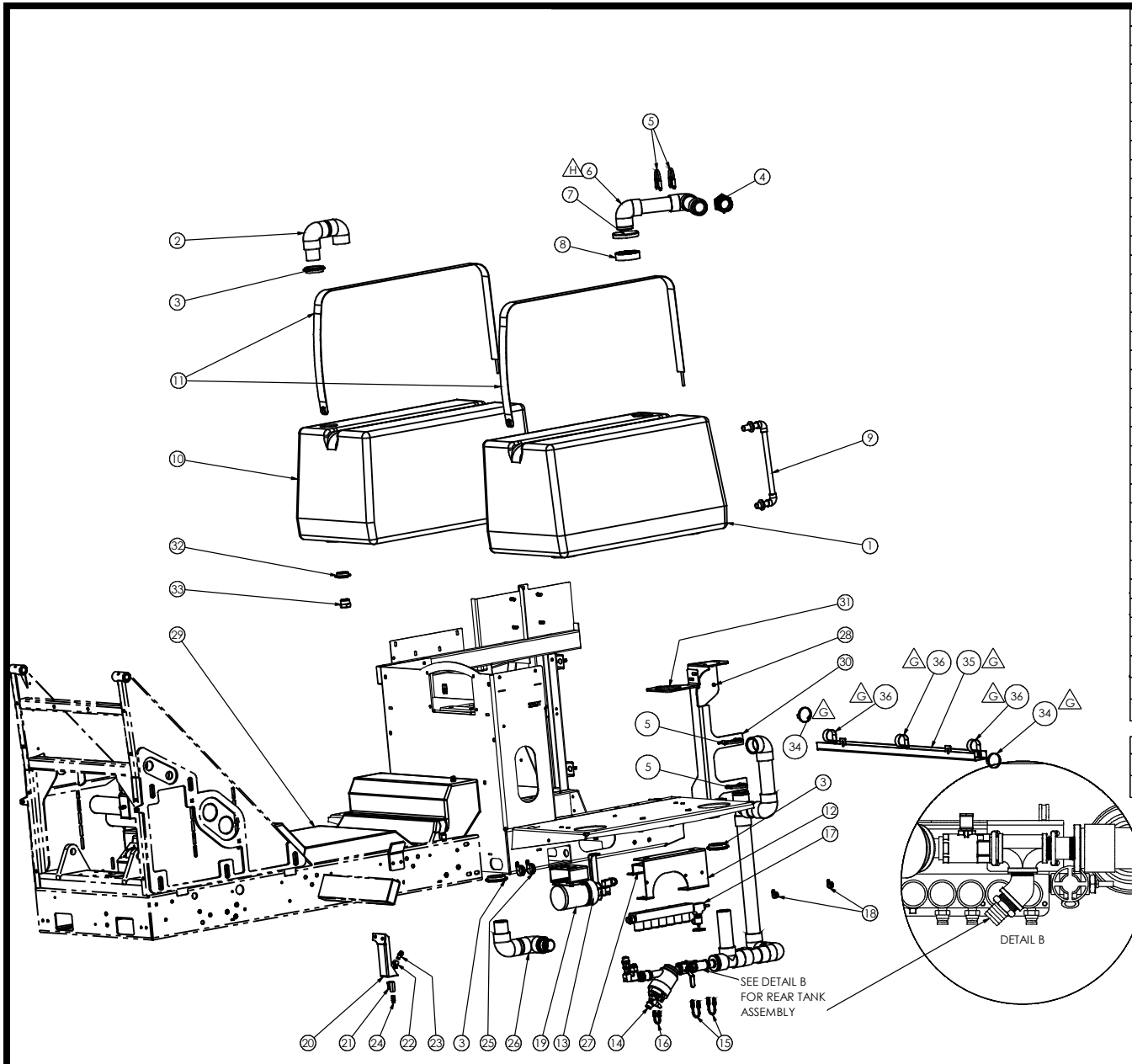
## 60114 - 1500-PSI PUMP & ROTO-NOZZLE

ITEM NO.	PART NUMBER	DESCRIPTION	Default/QTY
1	60114	1500 PSI, PUMP-MOTOR	1
2	60114-Y	HOSE ASSY, A500 PSI P-M	1
3	60114-W	WAND, 1500PSI PUMP-MOTOR	1
4	523860	WELD,SHELF,HI-PR PMP,A4	1



# Section 5 - Body

## 204Q66 - WATER DUAL PLUS REAR



ITEM NO.	PART NUMBER	QTY.	DESCRIPTION
1	5222640	1	RH WATER TANK, S350, A4T
2	522393	1	VENT TUBE ASSY WATER TANK
3	22974	3	GROMMET, 2" UNISEAL
4	23644	1	CAM, 2.0 MALE LOCK
5	20831	4	CLAMP, 2 1/2" MUFLER U-BOLT
6	526166	1	RIGHT SIDE WTR FILL ASSY A4T
7	22662	1	FILL CAP
8	521629	1	FILL NECK
9	203674	1	SIGHT GAUGE, WATER TANK, SIDE
10	5222639	1	LH WATER TANK, S350, A4T
11	522381	2	TIEDOWN STRAP, WATER TANK
12	5222484	1	BRKT, WATER FLTR ASSY, A4T, S350T
13	5222488	1	BRKT, SUPPLY HOSE, A4T, S350T
14	204T91	1	WTR FLTR ASSY, A4T W/ REAR TANK
15	31823	2	U-BOLT, 1/4-20 X 1-1/2
16	32282	1	U-BOLT, 1/4-20 X 1-1/8
17	204N67	1	WATER MANIFOLD ASSY, A4T
18	20149	2	CLAMP, .75" RUBBER LINED
19	204N68	1	WATER PUMP ASSY, A4T
20	5222489	1	BRKT, HEAD WTR FTINGS, A4T, S350T
21	26860	1	1/4" MINI BALL VALVE
22	20143	1	ELBOW, 45, 1/4 NPT STREET BRASS
23	54240	1	ADAPTER, 1/4 NPT X 3/8 P2C
24	25975	1	1/4 TUBE X 1/4 NPT CONNECTOR
25	20155	2	CLAMP, 1.50" RUBBER LINED
26	522394	1	CROSSOVER ASSY LH WATER TANK
27	5222971	1	A4T WATER MANIFOLD BRACKET
28	20832	2	CLAMP, 3" MUFLER
29	204Q23	1	A4T REAR WATER TANK
30	5223216	1	BRACKET, WATER FILL, A4T
31	5223217	1	BRACE, WATER FILL, A4T
32	23829	1	GROMMET, 1.25" UNISEAL PIPE
33	68074	1	PLUG, SPIGOT, 1-1-4 SCH 40
34	20821	2	HOSE CLAMP 2"
35	5224847	1	SPRPT, CROSSOVER HOSE
36	25092	3	CLAMP, 2" COATED

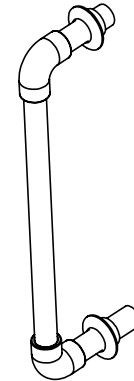
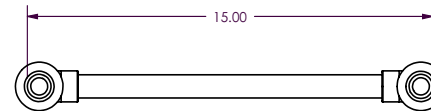
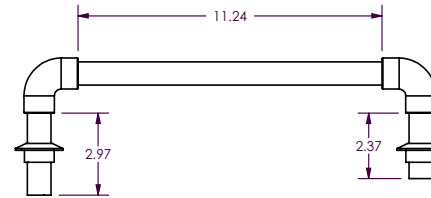
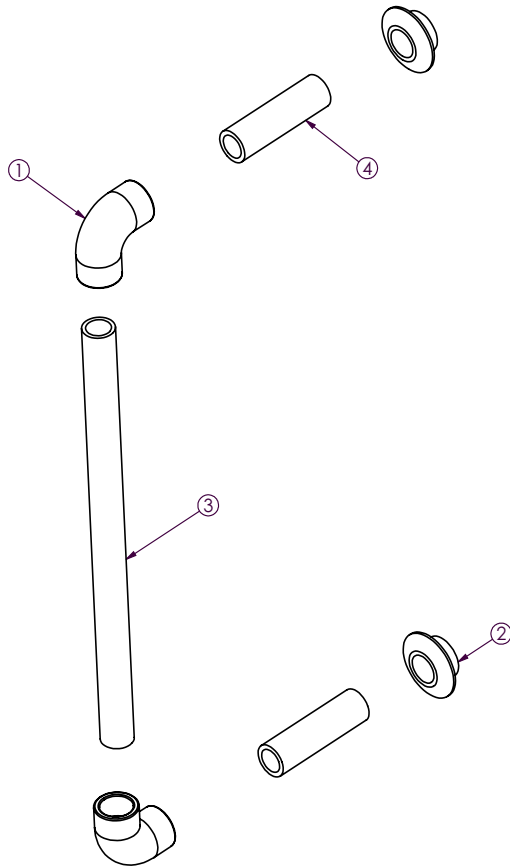
ITEMS BELOW NOT SHOWN

ITEM NO.	PART NUMBER	QTY.	DESCRIPTION
37	27346-61	61 IN	2" SUCTION HOSE CLEAR PVC
38	20529	216 IN	TUBING, 3/8" NYLON

# Section 5 - Body

## 203674 - SIGHT GAUG, WATER TANK, SIDE

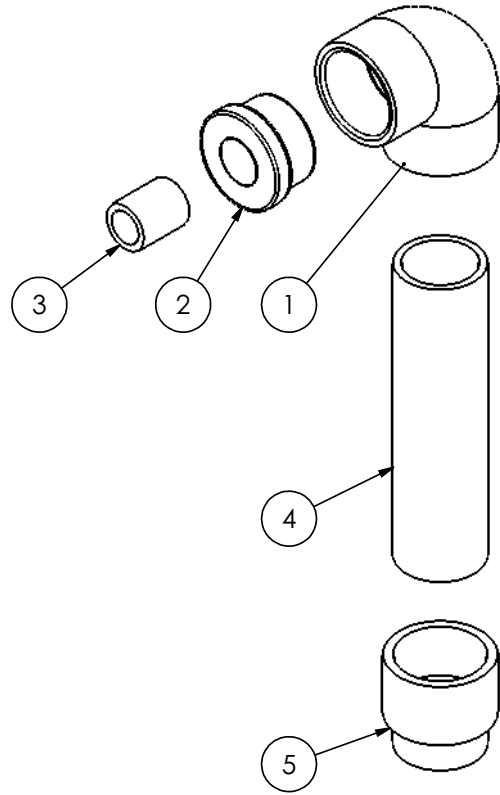
ITEM NO.	PART NUMBER	Default/QTY.	DESCRIPTION
1	23221	2	ELBOW, 90 1/2" SCH 80 PVC
2	22971	2	GROMMET, 1/2" UNISEAL PIPE
3	23195-12.5	1	TUBE,VERT,SIGHT GAUGE
4	23195-3	2	TUBE,HORIZ,SIGHT GAUGE



PROPRIETARY AND CONFIDENTIAL

# Section 5 - Body

## 522392 - WATER FILL



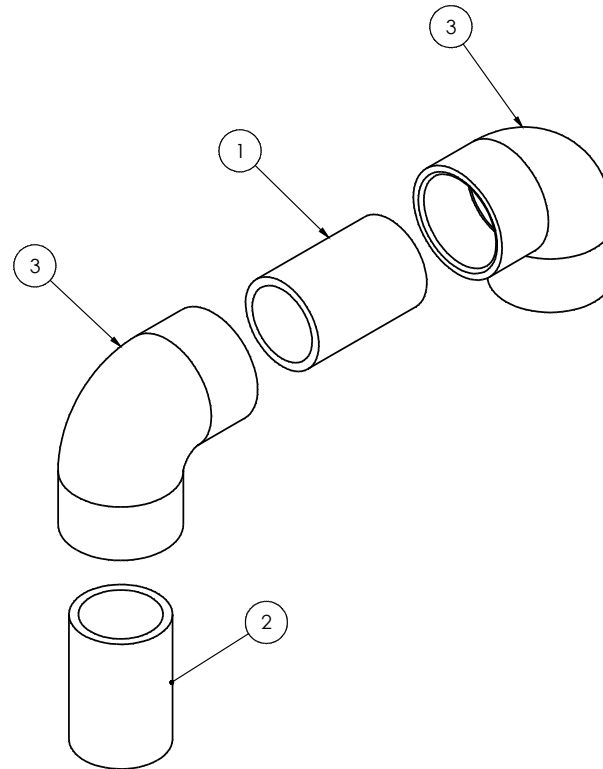
ITEM NO.	PART NUMBER	DESCRIPTION	QTY.
1	23922	ELBOW 90° 2" SCH 80	1
2	23921	BUSHING, 2.0 SLIP X 1.0 SLIP	1
3	5211979	REDUCER TUBE WATER FILL	1
4	5211978	2" PVC TUBE WATER FILL	1
5	55969	ADAPTER, MALE 2"	1



# Section 5 - Body

## 522393 - WATER VENT

ITEM NO.	PART NUMBER	QTY.	DESCRIPTION
1	5211976	1	CONNECTOR TUBE BREATHER
2	5211977	1	CONNECTOR BREATHER\FILL PIPE
3	23922	2	ELBOW 90° 2" SCH 80



# Section 5 - Body

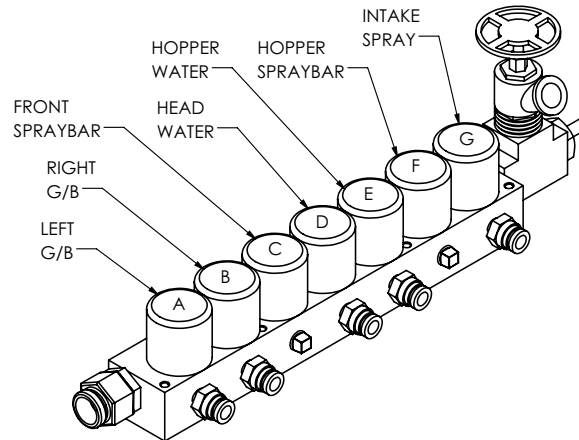
## 204N67 - WATER MANIFOLD

WATER TRAY		
DEUTSCH - DT04-08P		
CAV	COLOR	CIRCUIT
1	BLACK	HOPPER SPRAYBAR
2	BLACK	LGB SPRAYBAR
3	BLACK	HEAD SPRAYBAR
4	BLACK	FRONT SPRAYBAR
5	BLACK	GROUND FRONT SPRAYBAR
6	BLACK	GROUND HEAD SPRAYBAR
7	BLACK	GROUND LGB SPRAYBAR
8	BLACK	GROUND HOPPER SPRAYBAR
WATER TRAY		
DEUTSCH - DT04-6P		
CAV	COLOR	CIRCUIT
1	BLACK	RGB SPRAYBAR
2	BLACK	HOPPER WATER
3	BLACK	INTAKE SPRAYBAR
4	BLACK	GROUND INTAKE SPRAYBAR
5	BLACK	GROUND HOPPER WATER
6	BLACK	GROUND RGB SPRAYBAR

ITEM NO.	PART NUMBER	DESCRIPTION	QTY.
1	29083	MANIFOLD, 7 STAGE WATER	1
2	26855	TEE, 3/4" NPT UNION BRASS	1
3	54982	VALVE, WATER 3/4 NPT	1
4	26852	PLUG, 1/4" BRASS	2
5	54240	ADAPTER, 1/4 NPT X 3/8 P2C	5
6	60188	CONNECTOR, 3/4 AIR X 1/2 NPT	1
7	54718	BUSHING, 3/4 MNPT X 1/2 FNPT, BRASS	1
8	26850	NIPPLE, CLOSE 3/4" BRASS	1
9	26995	BUSHING, 3/4 NPT 1/8 NPT	1
10	23676	VALVE, BRASS AIR TANK	1
11	*64598	CONNECTOR, 8WAY RECEPTACLE, RW	1
12	*64616	WEDGELOCK, DT, 8POS, RECPT	1
13	*64597	CONNECTOR, 6WAY RECEPTACLE, RW	1
14	*64614	WEDGELOCK, DT, 6POS, RECPT	1

\*ITEMS NOT SHOWN

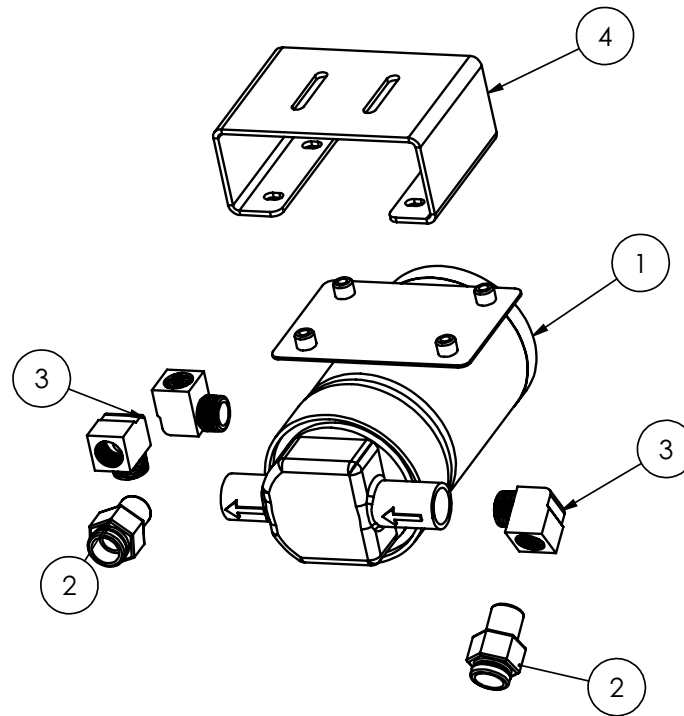
**NOTE:** TERMINATE COMPONENT WIRE LEADS INTO CONNECTORS AS SPECIFIED IN WIRE CHARTS AT LEFT.



# Section 5 - Body

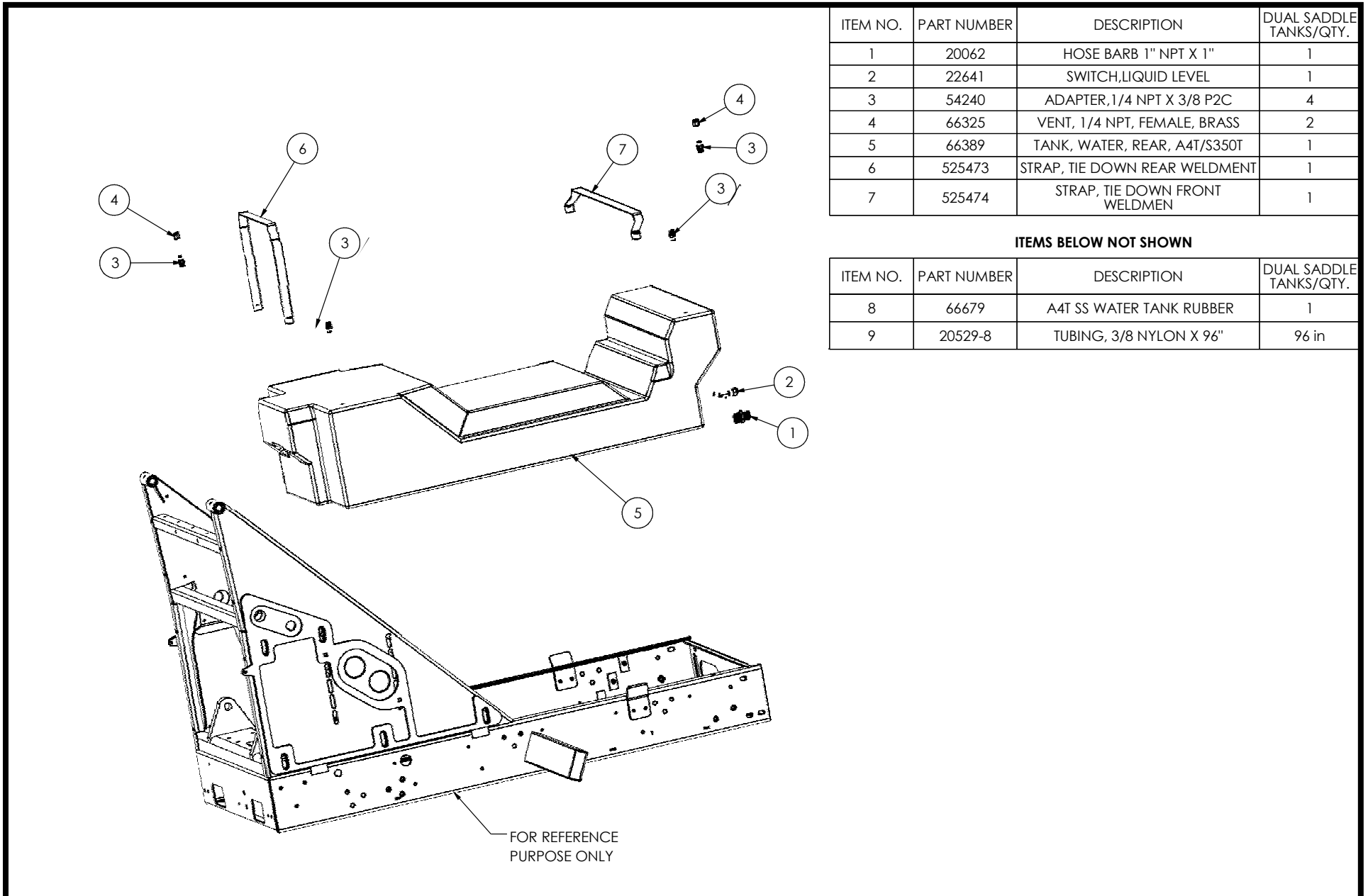
## 204N68 - WATER PUMP

ITEM NO.	PART NUMBER	DESCRIPTION	QTY.
1	66029	5 STAGE DIAPHRAM PUMP	1
2	60188	CONNECTOR, 3/4 AIR X 1/2 NPT	2
3	20972	ELBOW, 90° 1/2 NPT BRASS	3
4	5222520	PUMP BRACKET, A4T	1



# Section 5 - Body

## 204Q23 - REAR WATER TANK



ITEM NO.	PART NUMBER	DESCRIPTION	DUAL SADDLE TANKS/QTYS.
1	20062	HOSE BARB 1" NPT X 1"	1
2	22641	SWITCH, LIQUID LEVEL	1
3	54240	ADAPTER, 1/4 NPT X 3/8 P2C	4
4	66325	VENT, 1/4 NPT, FEMALE, BRASS	2
5	66389	TANK, WATER, REAR, A4T/S350T	1
6	525473	STRAP, TIE DOWN REAR WELDMEN	1
7	525474	STRAP, TIE DOWN FRONT WELDMEN	1

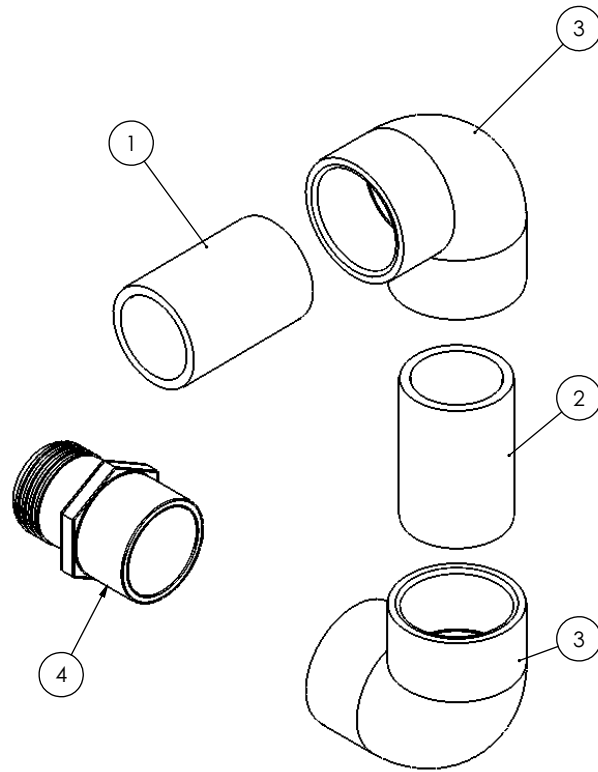
### ITEMS BELOW NOT SHOWN

ITEM NO.	PART NUMBER	DESCRIPTION	DUAL SADDLE TANKS/QTYS.
8	66679	A4T SS WATER TANK RUBBER	1
9	20529-8	TUBING, 3/8 NYLON X 96"	96 in

# Section 5 - Body

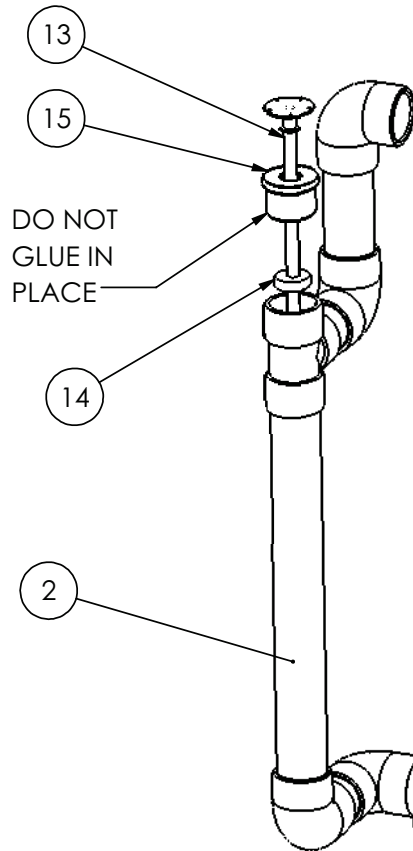
## 522394 - WATER LH CROSSOVER

ITEM NO.	PART NUMBER	DESCRIPTION	QTY.
1	5211977	CONNECTOR BREATHER\FILL PIPE	1
2	5211976	CONNECTOR TUBE BREATHER	1
3	23922	ELBOW 90° 2" SCH 80	2
4	27345	ADAPTER, 2" PVC - 2 HB, SLIP	1



# Section 5 - Body

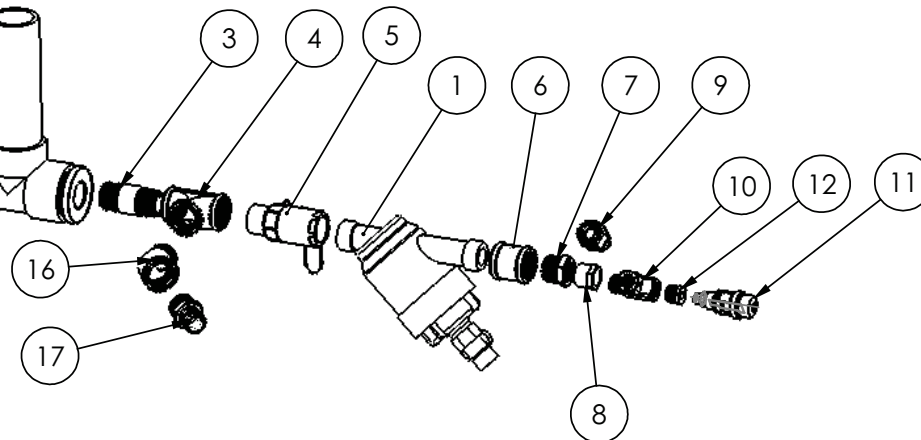
## 204T91 - WATER FILTER REAR



ITEM NO.	PART NUMBER	QTY.	DESCRIPTION
1	66083	1	FILTER HOUSING/W SCREEN 1" WATER
2	525528	1	PVC TUBING ASSY, A4T WTR FILTR
3	66320	1	NIPPLE, 1" NPT X 3", BRASS
4	66324	1	TEE, 1" FEMALE NPT, BRASS
5	27029	1	1.0 BALL VALVE, BRASS
6	66321	1	COUPLING, 1"NPT, BRASS
7	55014	1	BUSHING 1" NPT TO 3/4" NPT
8	54718	1	BUSHING, 3/4 MNPT X 1/2 FNPT, BRASS
9	60188	1	CONNECTOR, 3/4 AIR X 1/2 NPT
10	20483	1	TEE, 1/2 NPT MALE RUN
11	66073	1	FILTERMINDER 6 IN HG
12	21343	1	REDUCER BRASS 1/2NPT - 1/8 NPT
13	66759	1	SENDER, 26" 3-WIRE
14	5221631	1	NYLON BUSHING, WATER LEVEL GA
15	29246	1	BUSHING, 2.0 SLIP X 3/4 NPT
16	66322	1	ELBOW, 45, 1"NPT, M TO F, BRASS
17	20062	1	HOSE BARB 1" NPT X 1"

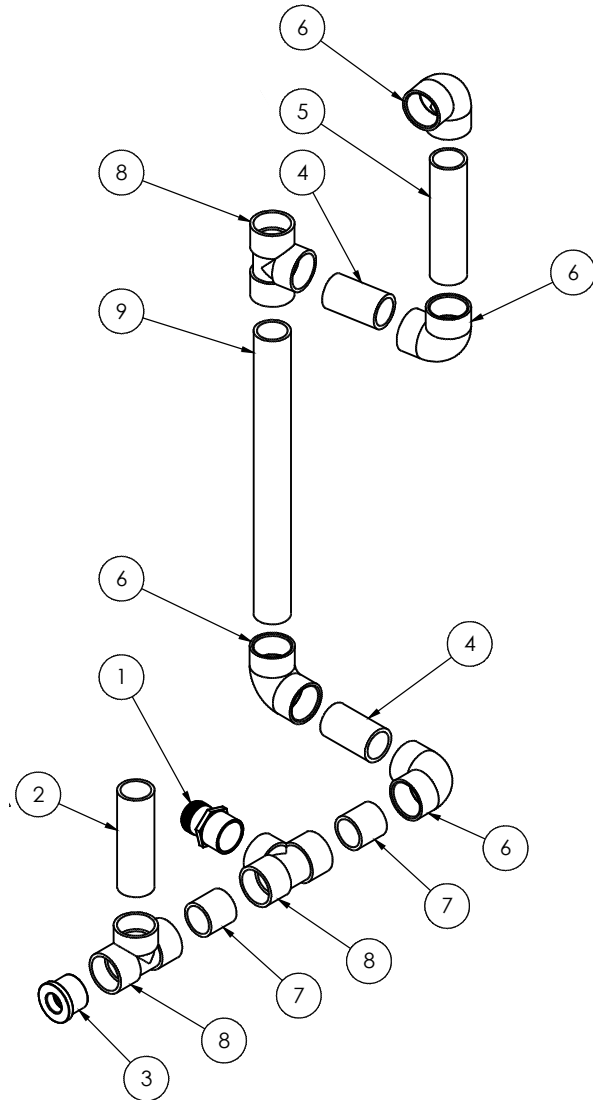
ITEMS BELOW NOT SHOWN IN DRAWING

18	65939	1	DT01-3P
19	65941	1	W3P



# Section 5 - Body

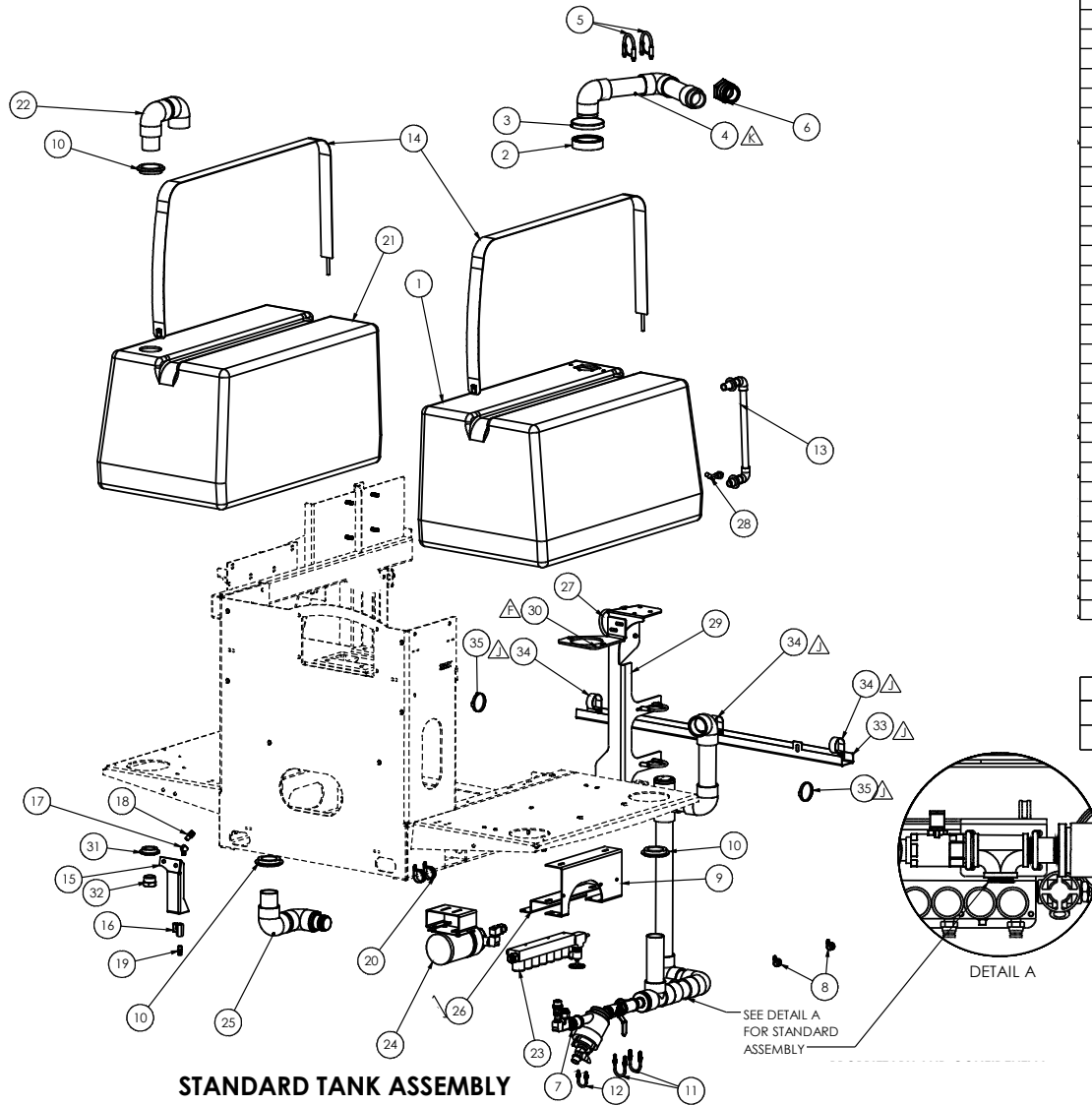
## 525528 - WATER FILTER TUBE



ITEM NO.	PART NUMBER	QTY.	DESCRIPTION
1	27345	1	ADAPTER, 2" PVC - 2 HB, SLIP
2	5222497	1	PIPE, WATER FILTER,S350T
3	55456	1	BUSHING, 2.0 SLIP X 1.0 NPT
4	5221548	2	TUBE,OVERFLOW A7 WATER TANK
5	5211978	1	2" PVC TUBE WATER FILL
6	23922	4	ELBOW 90° 2" SCH 80
7	5223014	2	TUBE 2.25" A4T
8	29167	3	TEE, 2" SCH 80 PVC
9	5223015	1	TUBE 22" A4T

# Section 5 - Body

## 204N58 - WATER SYSTEM



**STANDARD TANK ASSEMBLY**

ITEM NO.	PART NUMBER	QTY.	DESCRIPTION
1	5222640	1	RH WATER TANK, S350, A4T
2	521629	1	FILL NECK
3	22662	1	FILL CAP
4	526166	1	RIGHT SIDE WTR FILL ASSY A4T
5	20831	4	CLAMP, 2 1/2" MUFLER U-BOLT
6	23644	1	CAM, 2.0 MALE LOCK
7	204N66	1	WATER FILTER ASSY, A4T
8	20149	2	CLAMP, .75" RUBBER LINED
9	5222484	1	BRKT,WATER FLTR ASSY,A4T,S350T
10	22974	3	GROMMET, 2" UNISEAL
11	31823	2	U-BOLT, 1/4-20 X 1-1/2
12	32282	1	U-BOLT, 1/4-20 X 1-1/8
13	203674	1	SIGHT GAUGE, WATER TANK, SIDE
14	522381	2	TIEDOWN STRAP, WATER TANK
15	5222489	1	BRKT,HEAD WTR FTINGS,A4T,S350T
16	26860	1	1/4" MINI BALL VALVE
17	20143	1	ELBOW, 45, 14 NPT STREET BRASS
18	54240	1	ADAPTER,1/4 NPT X 3/8 P2C
19	25975	1	1/4 TUBE X 1/4 NPT CONNECTOR
20	20155	2	CLAMP, 1.50" RUBBER LINED
21	5222639	1	LH WATER TANK, S350, A4T
22	522393	1	VENT TUBE ASSY WATER TANK
23	204N67	1	WATER MANIFOLD ASSY, A4T
24	204N68	1	WATER PUMP ASSY, A4T
25	522394	1	CROSSOVER ASSY LH WATER TANK
26	5222971	1	A4T WATER MANIFOLD BRACKET
27	20832	2	CLAMP, 3" MUFLER
28	22641	1	SWITCH,LIQUID LEVEL
29	5223216	1	BRACKET, WATER FILL, A4T
30	5223217	1	BRACE, WATER FILL, A4T
31	23829	1	GROMMET, 1.25" UNISEAL PIPE
32	68074	1	PLUG, SPIGOT, 1-1-4 SCH 40
33	5224847	1	SPRPT, CROSSOVER HOSE
34	25092	3	CLAMP, 2" COATED
35	20821	2	HOSE CLAMP 2"

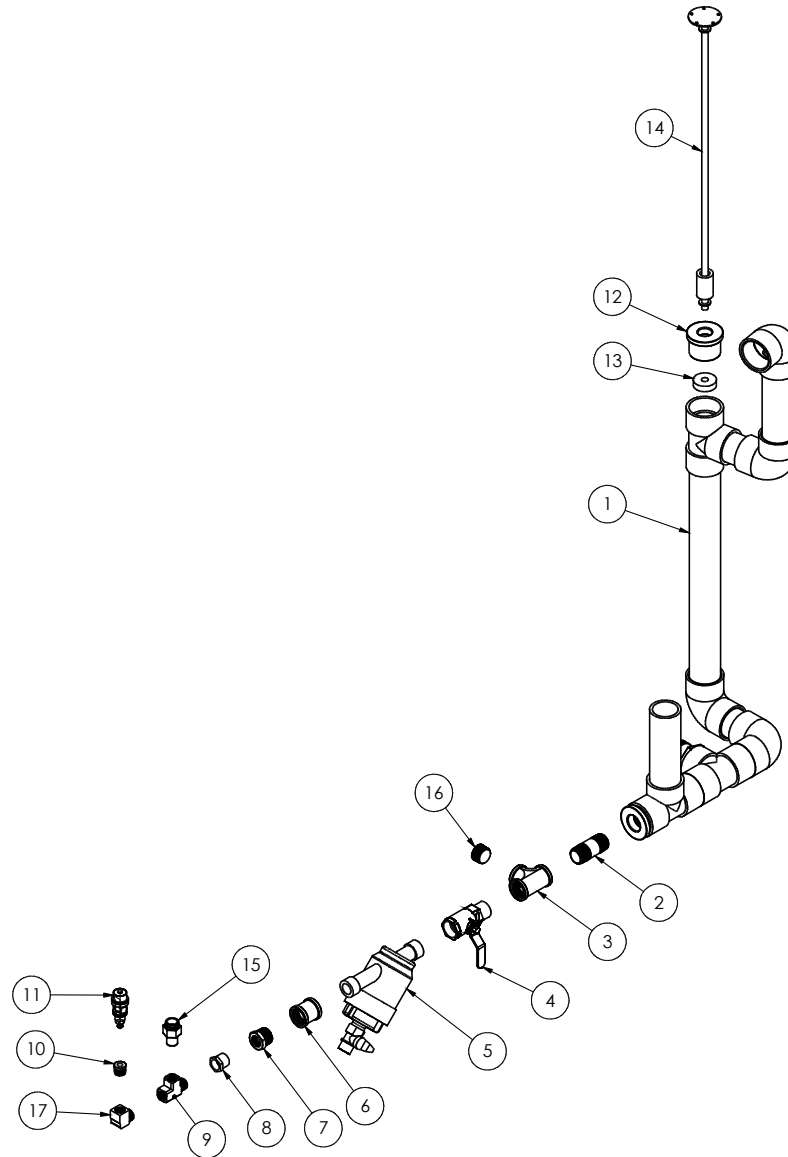
ITEMS BELOW NOT SHOWN

ITEM NO.	PART NUMBER	QTY.	DESCRIPTION
36	27346-61	61IN	2" SUCTION HOSE CLEAR PVC
37	20529-18	216 IN	TUBING, 3/8" NYLON



# Section 5 - Body

## 204N66 - WATER FILTER, DIESEL



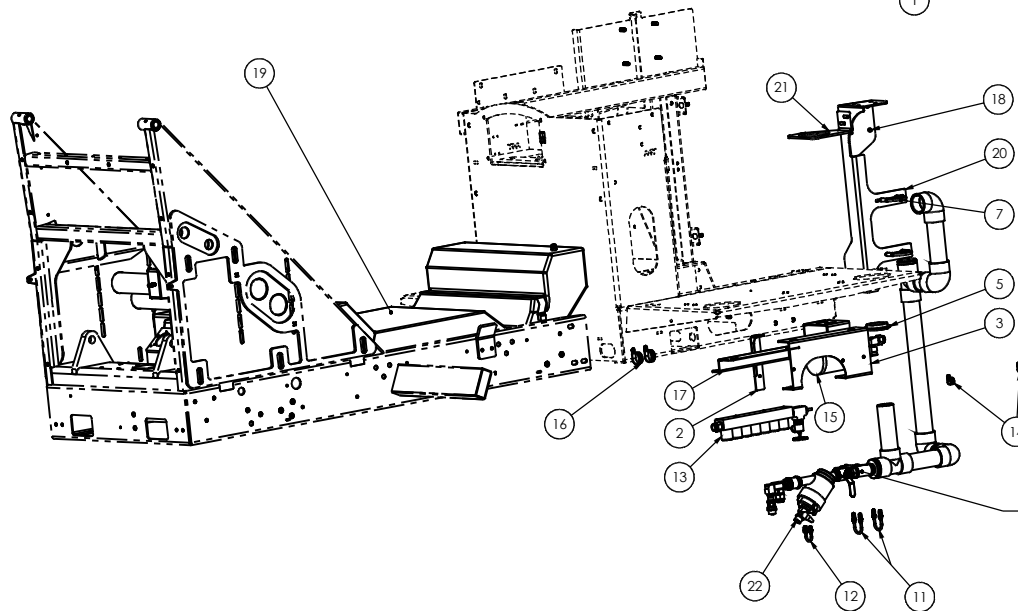
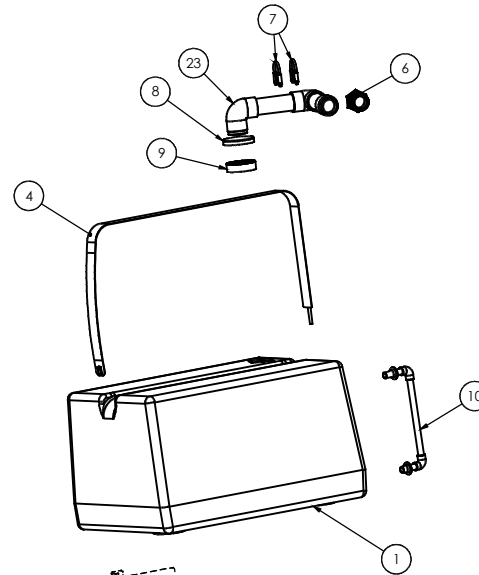
ITEM NO.	PART NUMBER	QTY	DESCRIPTION
1	525528	1	PVC TUBING ASSY, A4T WTR FILTR
2	66320	1	NIPPLE, 1" NPT X 3", BRASS
3	66324	1	TEE, 1" FEMALE NPT, BRASS
4	27029	1	1.0 BALL VALVE, BRASS
5	66083	1	FILTER HOUSING/W SCREEN 1" WATER
6	66321	1	COUPLING, 1"NPT, BRASS
7	55014	1	BUSHING 1" NPT TO 3/4" NPT
8	54718	1	BUSHING,3/4 MNPT X 1/2 FNPT,BR
9	20483	1	TEE, 1/2 NPT MALE RUN
10	21343	1	REDUCER BRASS 1/2NPT - 1/8 NPT
11	66073	1	FILTERMINDER 6 IN HG
12	29246	1	BUSHING, 2.0 SLIP X 3/4 NPT
13	5221631	1	NYLON BUSHING, WATER LEVEL GA
14	66759	1	SENDER, 26" 3-WIRE
15	60188	1	CONNECTOR, 3/4 AIR X 1/2 NPT
16	66280	1	PLUG, 1 NPT HOLLOW HEX
17	20972	1	ELBOW, 90° 1/2 NPT BRASS

ITEMS BELOW NOT SHOWN

ITEM NO.	PART NUMBER	QTY	DESCRIPTION
18	65939	1	DT04-3P
19	65941	1	W3P

# Section 5 - Body

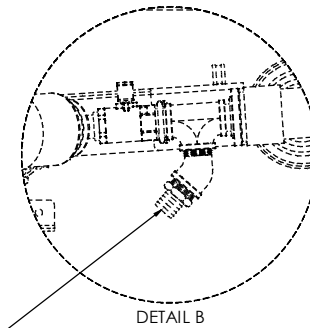
## 204S19 - WATER PLUS REAR



REV	ITEM NO.	PART NUMBER	QTY.	DESCRIPTION
	1	5222640	1	RH WATER TANK, S350, A4T
	2	5222488	1	BRKT, SUPPLY HOSE, A4T, S350T
	3	5222484	1	BRKT, WATER FLTR ASSY, A4T, S350T
	4	522381	1	TIEDOWN STRAP, WATER TANK
	5	22974	1	GROMMET, 2" UNISEAL
	6	23644	1	CAM, 2.0 MALE LOCK
	7	20831	4	CLAMP, 2 1/2" MUFFLER U-BOLT
	8	22662	1	FILL CAP
	9	521629	1	FILL NECK
	10	203674	1	SIGHT GAUGE, WATER TANK, SIDE
	11	31823	2	U-BOLT, 1/4-20 X 1-1/2
	12	32282	1	U-BOLT, 1/4-20 X 1-1/8
	13	204N67	1	WATER MANIFOLD ASSY, A4T
	14	20149	2	CLAMP, .75" RUBBER LINED
	15	204N68	1	WATER PUMP ASSY, A4T
	16	20155	2	CLAMP, 1.50" RUBBER LINED
	17	5222971	1	A4T WATER MANIFOLD BRACKET
	18	20832	2	CLAMP, 3" MUFFLER
	19	204Q23	1	A4T REAR WATER TANK
	20	5223216	1	BRACKET, WATER FILL, A4T
	21	5223217	1	BRACE, WATER FILL, A4T
	22	204S20	1	WATER FILTER ASSY, A4T
B	23	526166	1	RIGHT SIDE WTR FILL ASSY A4T

ITEM BELOW NOT SHOWN

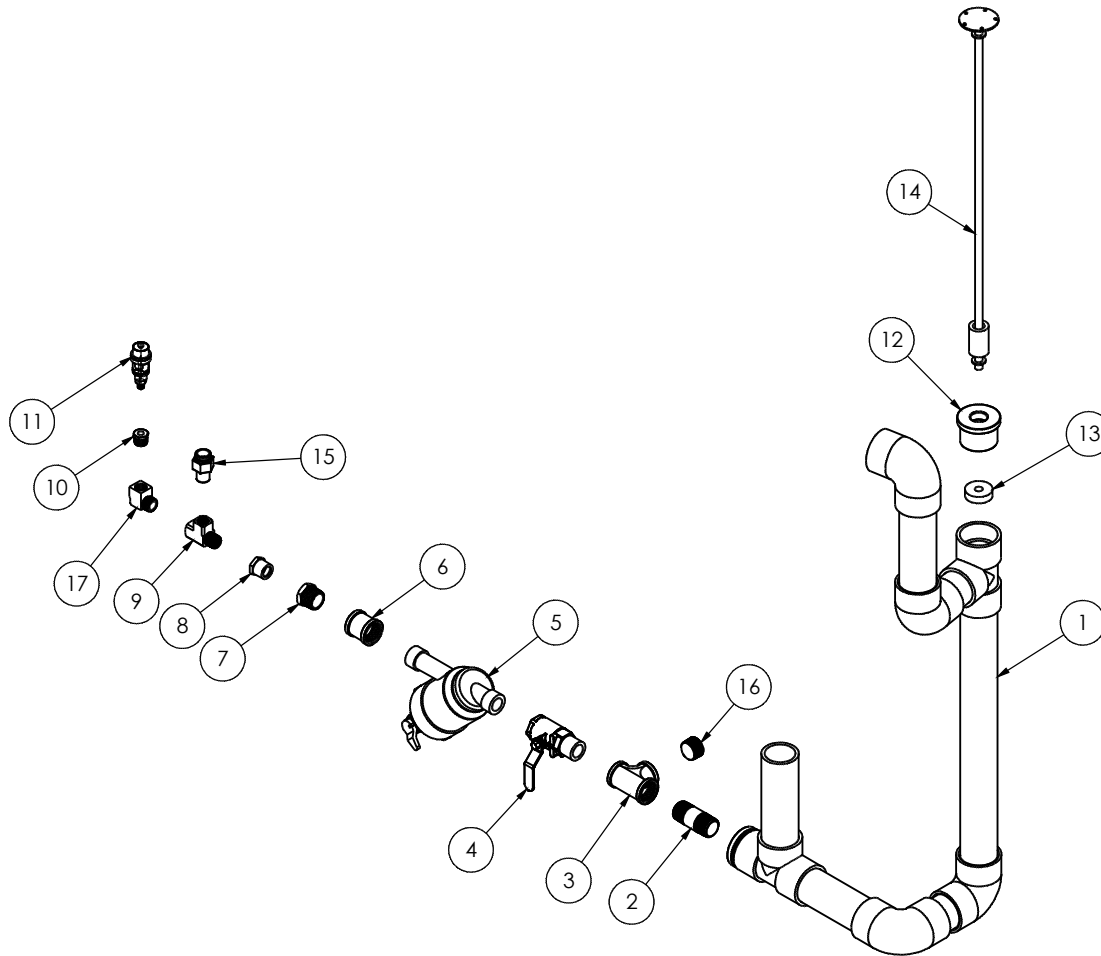
REV	ITEM NO.	PART NUMBER	QTY.	DESCRIPTION
	24	20529	216 IN	TUBING, 3/8" NYLON



SEE DETAIL B  
FOR REAR TANK  
ASSEMBLY

# Section 5 - Body

## 204S20 - WATER FILTER, GAS



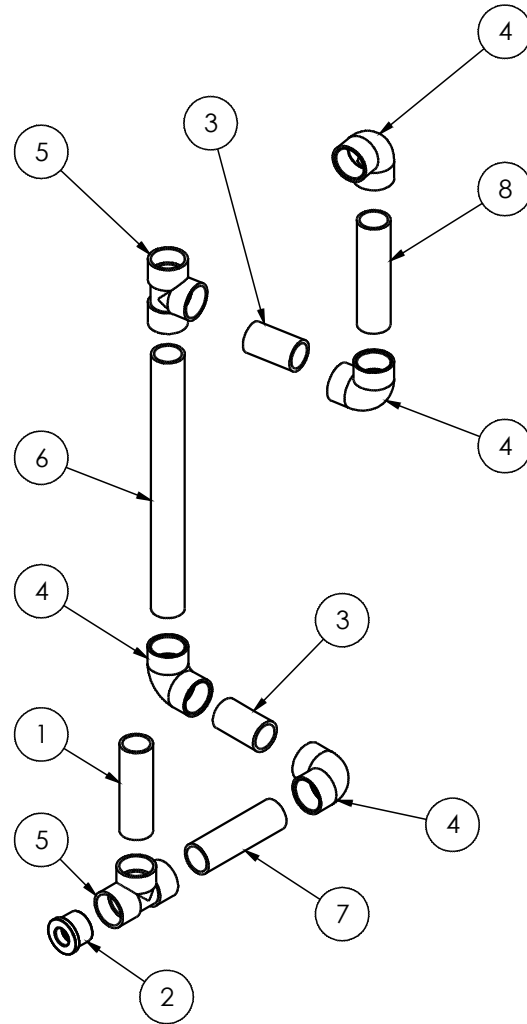
ITEM NO.	PART NUMBER	QTY	DESCRIPTION
1	525601	1	PVC TUBING ASSY, A4T WTR FILTR
2	66320	1	NIPPLE, 1" NPT X 3", BRASS
3	66324	1	TEE, 1" FEMALE NPT, BRASS
4	27029	1	1.0 BALL VALVE, BRASS
5	66083	1	FILTER HOUSING/W SCREEN 1" WATER
6	66321	1	COUPLING, 1"NPT, BRASS
7	55014	1	BUSHING 1" NPT TO 3/4" NPT
8	54718	1	BUSHING, 3/4 MNPT X 1/2 FNPT, BR
9	20483	1	TEE, 1/2 NPT MALE RUN
10	21343	1	REDUCER BRASS 1/2NPT - 1/8 NPT
11	66073	1	FILTERMINDER 6 IN HG
12	29246	1	BUSHING, 2.0 SLIP X 3/4 NPT
13	5221631	1	NYLON BUSHING, WATER LEVEL GA
14	66759	1	SENDER, 26" 3-WIRE
15	60188	1	CONNECTOR, 3/4 AIR X 1/2 NPT
16	66280	1	PLUG, 1 NPT HOLLOW HEX
17	20972	1	ELBOW, 90° 1/2 NPT BRASS

ITEMS BELOW NOT SHOWN

ITEM NO.	PART NUMBER	QTY	DESCRIPTION
18	65939	1	DT04-3P
19	65941	1	W3P

# Section 5 - Body

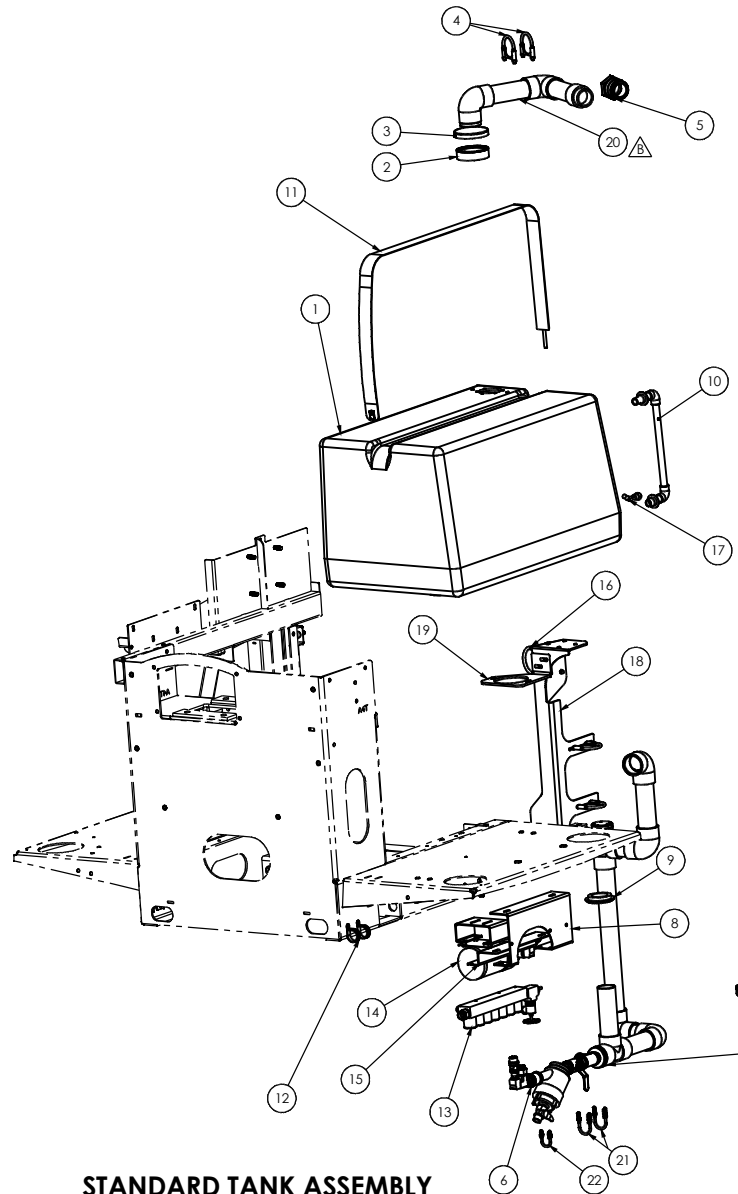
## 525601 - PVC TUBING, WATER FILTER



ITEM NO.	PART NUMBER	QTY.	DESCRIPTION
1	5222497	1	PIPE, WATER FILTER,S350T
2	55456	1	BUSHING, 2.0 SLIP X 1.0 NPT
3	5221548	2	TUBE,OVERFLOW A7 WATER TANK
4	23922	4	ELBOW 90° 2" SCH 80
5	29167	2	TEE, 2" SCH 80 PVC
6	5223015	1	TUBE 22" A4T
7	5223317	1	TUBE 7.75" A4T
8	5211978	1	2" PVC TUBE WATER FILL

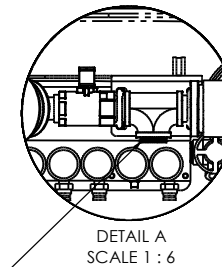
# Section 5 - Body

## 204S18 - WATER, GAS



**STANDARD TANK ASSEMBLY**

ITEM NO.	PART NUMBER	QTY.	DESCRIPTION
1	5222640	1	RH WATER TANK, S350, A4T
2	521629	1	FILL NECK
3	22662	1	FILL CAP
4	20831	4	CLAMP, 2 1/2" MUFFLER U-BOLT
5	23644	1	CAM, 2.0 MALE LOCK
6	204S20	1	WATER FILTER ASSY, A4T, GAS
7	20149	2	CLAMP, .75" RUBBER LINED
8	5222484	1	BRKT, WATER FLTR ASSY, A4T, S350T
9	22974	1	GROMMET, 2" UNISEAL
10	203674	1	SIGHT GAUGE, WATER TANK, SIDE
11	522381	1	TIEDOWN STRAP, WATER TANK
12	20155	2	CLAMP, 1.50" RUBBER LINED
13	204N67	1	WATER MANIFOLD ASSY, A4T
14	204N68	1	WATER PUMP ASSY, A4T
15	5222971	1	A4T WATER MANIFOLD BRACKET
16	20832	2	CLAMP, 3" MUFFLER
17	22641	1	SWITCH, LIQUID LEVEL
18	5223216	1	BRACKET, WATER FILL, A4T
19	5223217	1	BRACE, WATER FILL, A4T
20	526166	1	RIGHT SIDE WTR FILL ASSY A4T
21	31823	2	U-BOLT, 1/4-20 X 1-1/2
22	32282	1	U-BOLT, 1/4-20 X 1-1/8

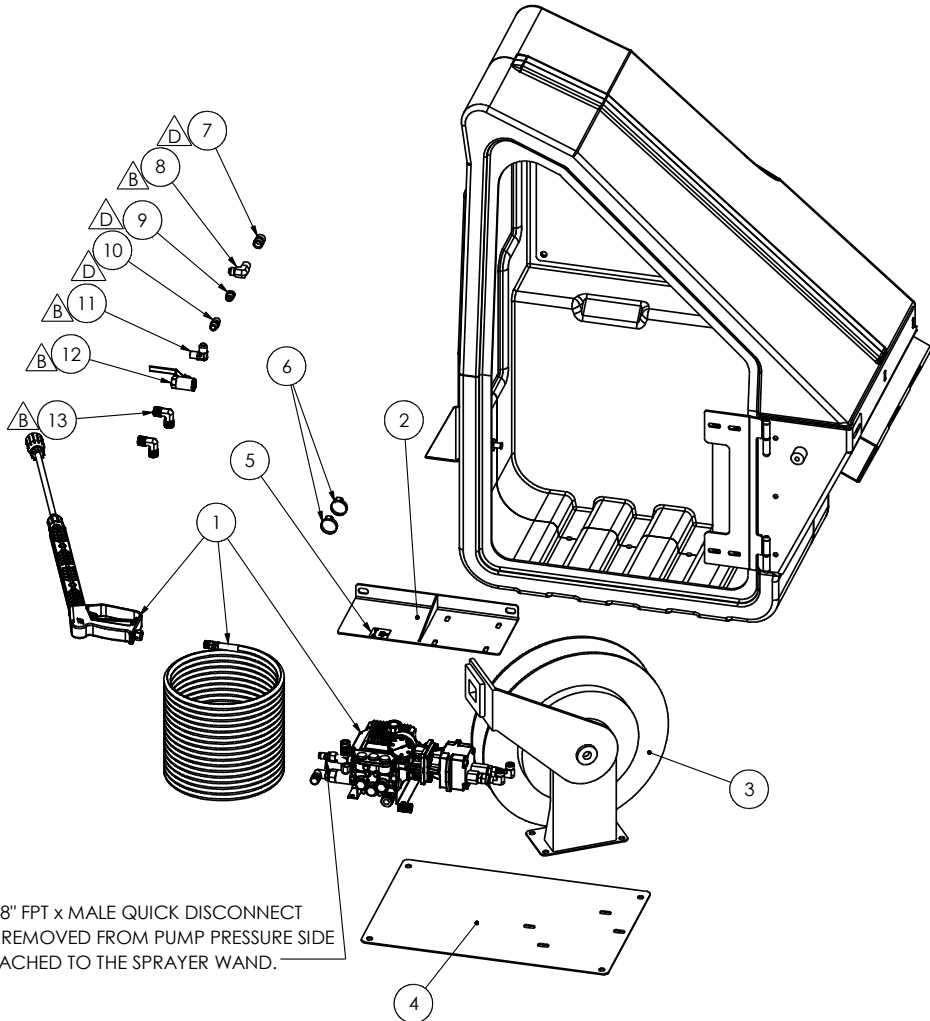


DETAIL A  
SCALE 1 : 6

SEE DETAIL A  
FOR STANDARD  
ASSEMBLY

# Section 5 - Body

## 204R66 - HI-PRES WASH SYS, W/REEL



**\*NOTE\*** 3/8" FPT x MALE QUICK DISCONNECT FITTING IS REMOVED FROM PUMP PRESSURE SIDE TO BE ATTACHED TO THE SPRAYER WAND.

ITEM NO.	PART NUMBER	Default/QTY.	DESCRIPTION
1	204R64	1	KIT, HI-PRESS WASH, A4T
2	525579	1	WELD, HI-PRESS PUMP MOUNT
3	22112	1	HOSE REEL
4	5223211	1	PLATE, HOSE REEL, A4T
5	65747	1	PANEL, PRESSURE WASHER
6	24687	2	HOSE CLAMP 2"
7	34767	1	3/8" FPT COUPLING, STEEL
8	20186	1	ELBOW, 90°, 1/2 MNPT X 1/2 MJIC
9	28223	1	REDUCER, 3/8 MNPT X 1/4 FNPT
10	20165	1	3/8 NIPPLE NPT PIPE (STEEL)
11	20195	1	ELBOW, 90° 3/8 NPT X 1/2 JIC
12	27027	1	1/2" FEMALE BALL VALVE
13	20965	2	1/2 NPT MALE PIPE 90

### ITEMS NOT SHOWN

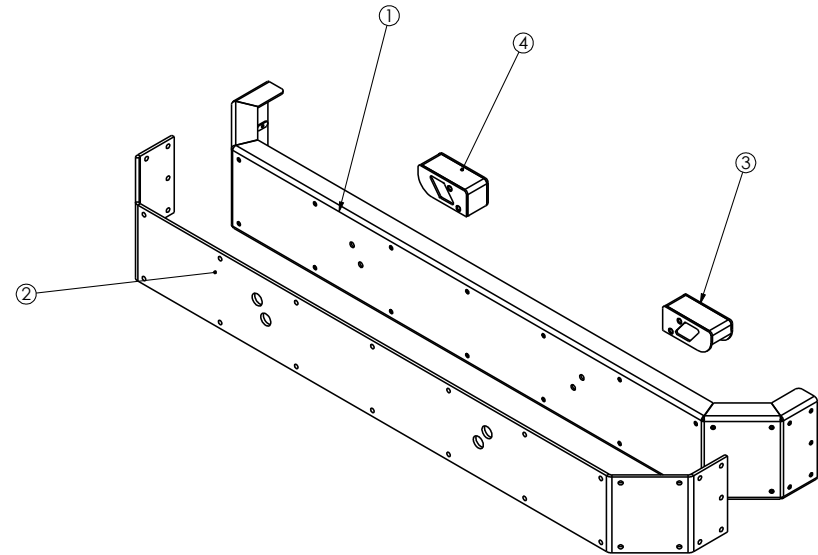
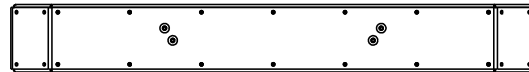
ITEM NO.	PART NUMBER	Default/QTY.	DESCRIPTION
14	203D36	1	CONSOLE, HIGH PRESSURE WASH
15	525580	2	HOSE, 1/2 X 205", HP ORFS
16	26633	1	HOSE, 3/4 PUSH-LOK WTR BY INCH

# Section 5 - Body

## 204B35 - HEAVY DUTY BUMPER

ITEM NO.	PART NUMBER	QTY.	DESCRIPTION
1	524285	1	WELD, HEAVY DUTY BUMPER
2	63297	1	COVER, RUBBER, HD BUMPER S-SER
3	523934	1	ADAPTER, BUMPER GMC NQR
4	523940	1	BUMPER ADAPTER, GMC NQR, RH

BOLT RUBBER TO BUMPER USING STAINLESS BUTTON HEAD BOLTS. BOLT BUMPER TO STANDOFFS USING 1/2" BOLTS WITH LOCK AND FLAT WASHERS.



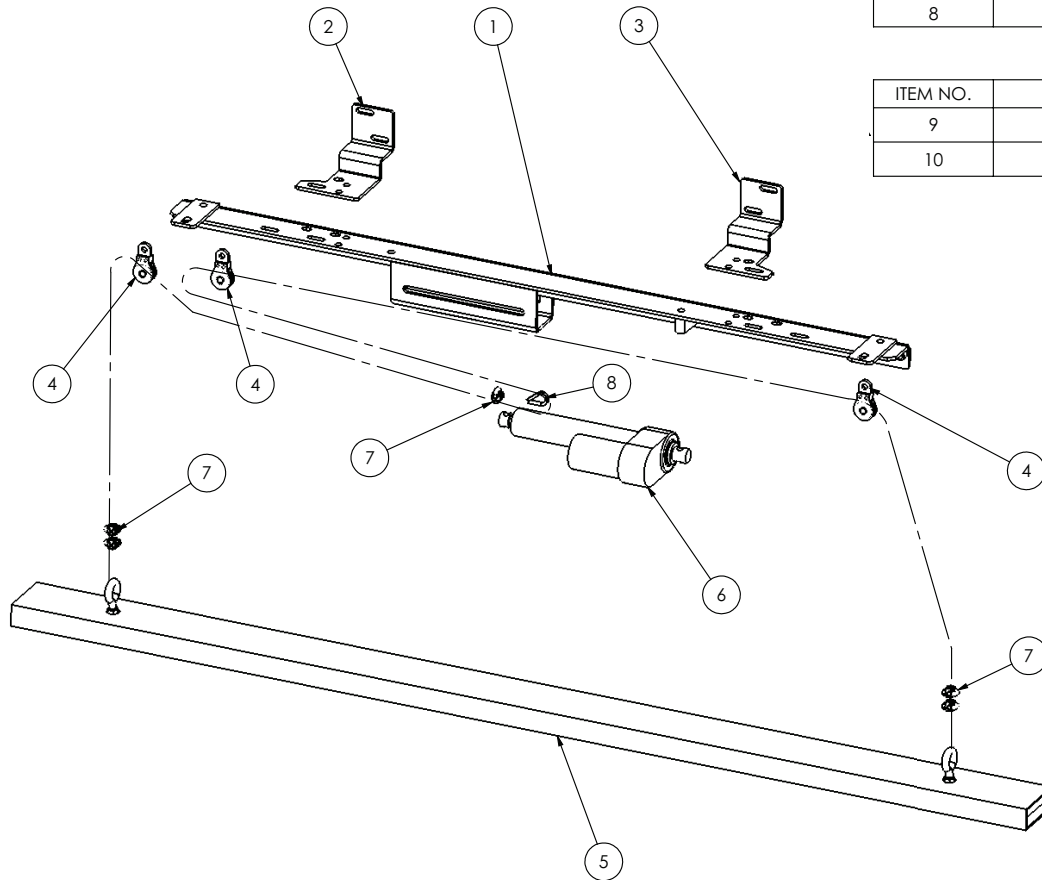
# Section 5 - Body

## 204R10 - MAGNET BAR 84" MOUNT

ITEM NO.	PART NUMBER	QTY.	DESCRIPTION
1	520873	1	BAR MAGNET MOUNT ISUZU NPR-W4
2	5219720	1	BRACKET, MAGNET MOUNT, RH
3	5219719	1	BRACKET, MAGNET MOUNT, LH
4	20218	3	PULLEY BLOCK
5	204R09	1	ASSY, BAR MAGNET 84"
6	20036	1	ACTUATOR, 6", 12V, BALL SCREW
7	21824	5	CLAMP, 3/16" CABLE
8	21537	1	THIMBLE, 1/4" CABLE

ITEMS BELOW NOT SHOWN

ITEM NO.	PART NUMBER	QTY.	DESCRIPTION
9	22099	11FT	CABLE, 3/16" GALVANIZED
10	203278	1	CONSOLE, BAR MAGNET

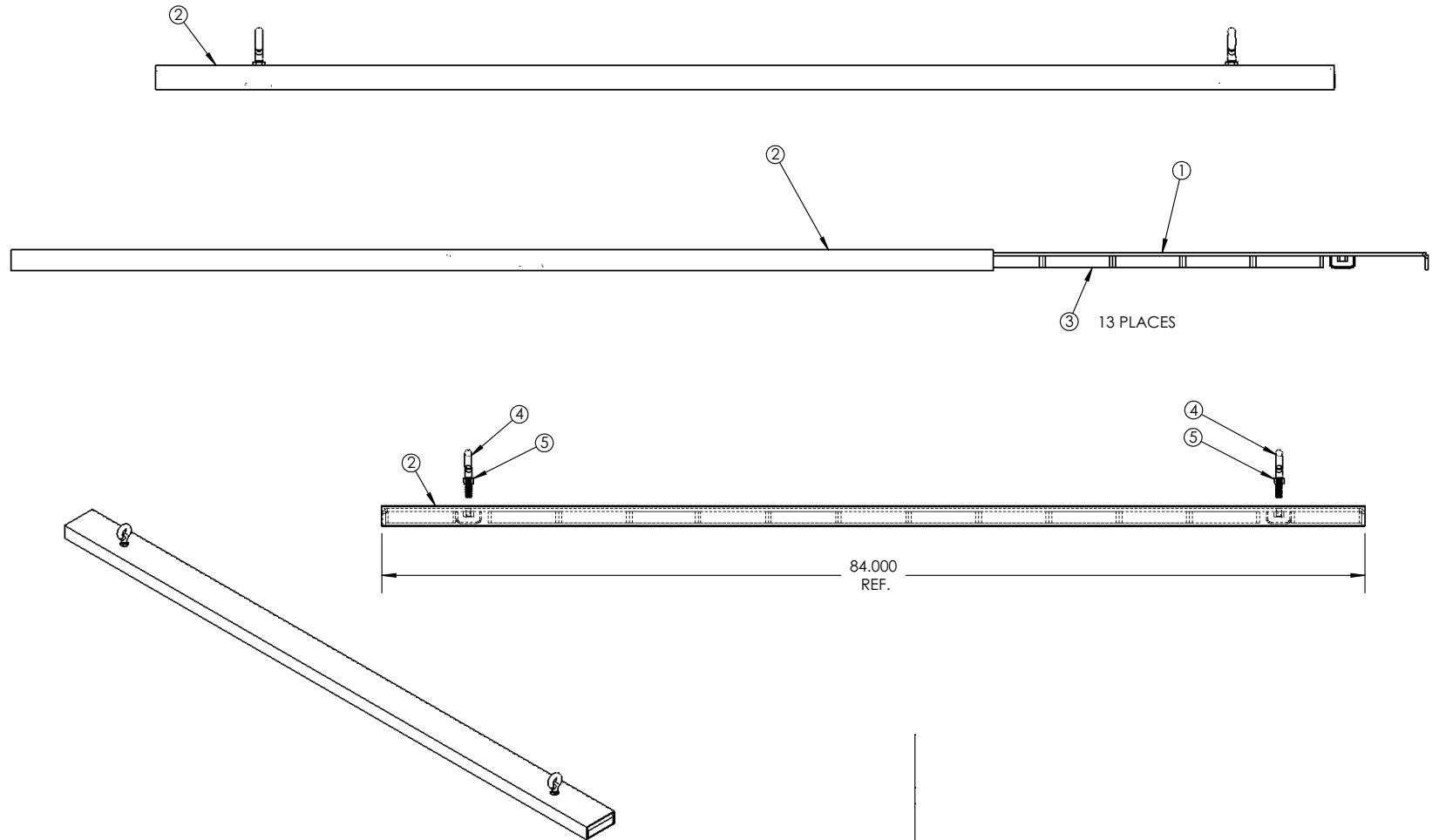




# Section 5 - Body

## 204R09 - MAGNET BAR 84"

ITEM NO.	Default/QTY.	PART NUMBER	DESCRIPTION
1	1	525547	WELD, BAR MAGNET, A4T
2	1	5223113	TUBE, MAGNET 84"
3	13	21096	MAGNET, 6 X 4 X 1
4	2	30284	SCREW, 1/2-13 X 2 EYEBOLT BENT
5	2	31135	1\2-13 HEX NUT



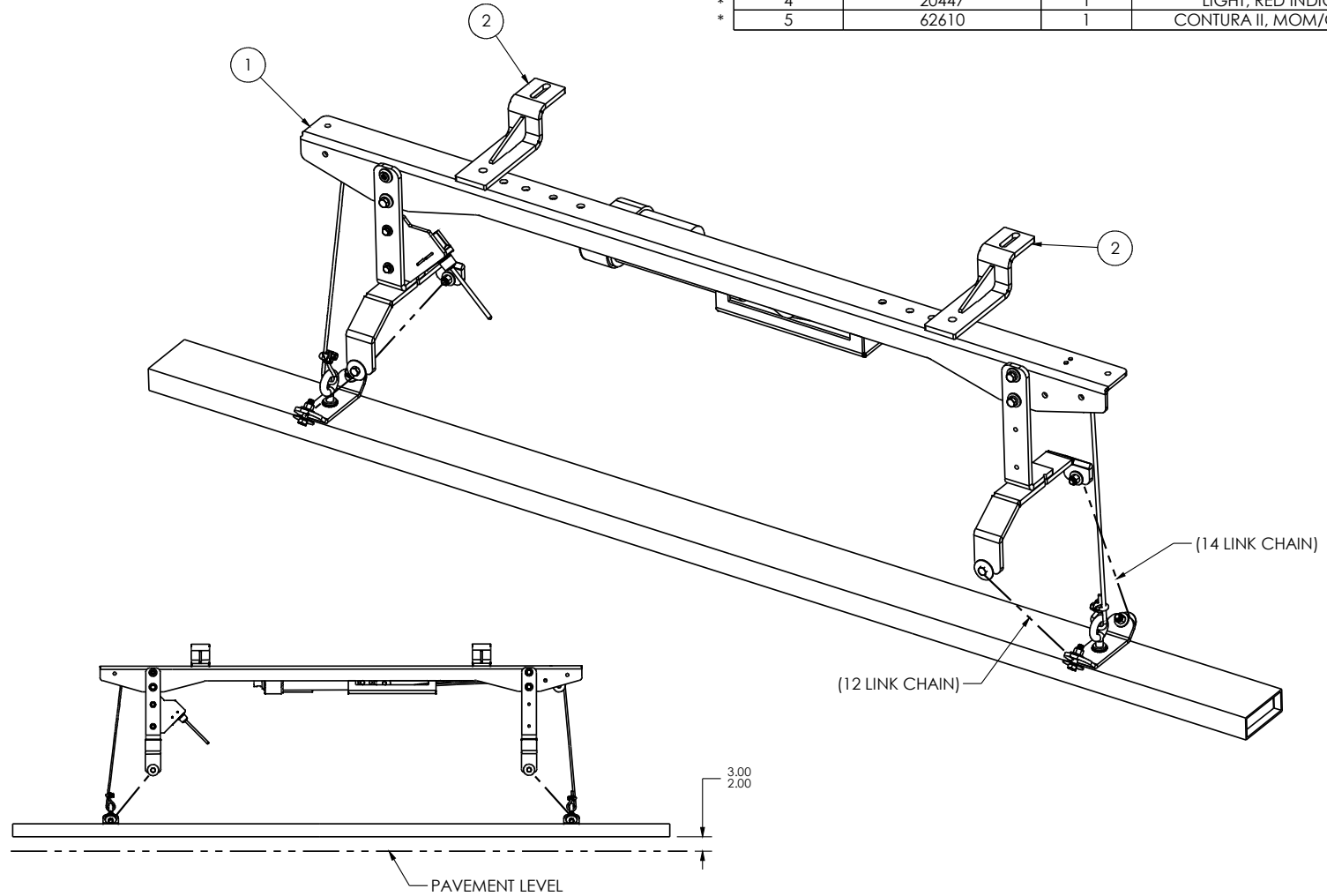
# Section 5 - Body

## 204H16 - MAGNET BAR 90" MOUNT M2

ITEM NO.	PART NUMBER	QTY.	DESCRIPTION
1	204H15	1	ASSY, 90" BAR MAGNET, OPTION
2	523862	2	BKT, MTG, B-MAG, M2

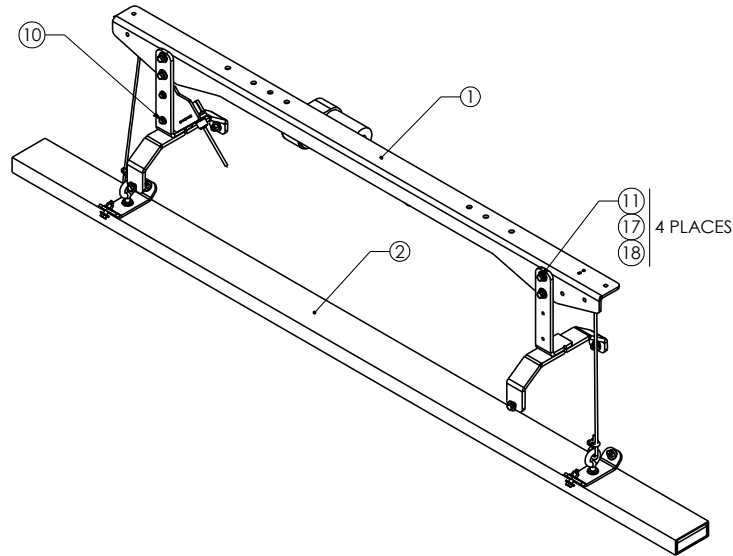
\*COMPONENTS NOT SHOWN

ITEM NO.	PART NUMBER	QTY.	DESCRIPTION
* 3	62715	1	SWITCH, ACTUATOR, MAGNET UP-DN
* 4	20447	1	LIGHT, RED INDICATOR
* 5	62610	1	CONTURA II, MOM/OFF/MOM

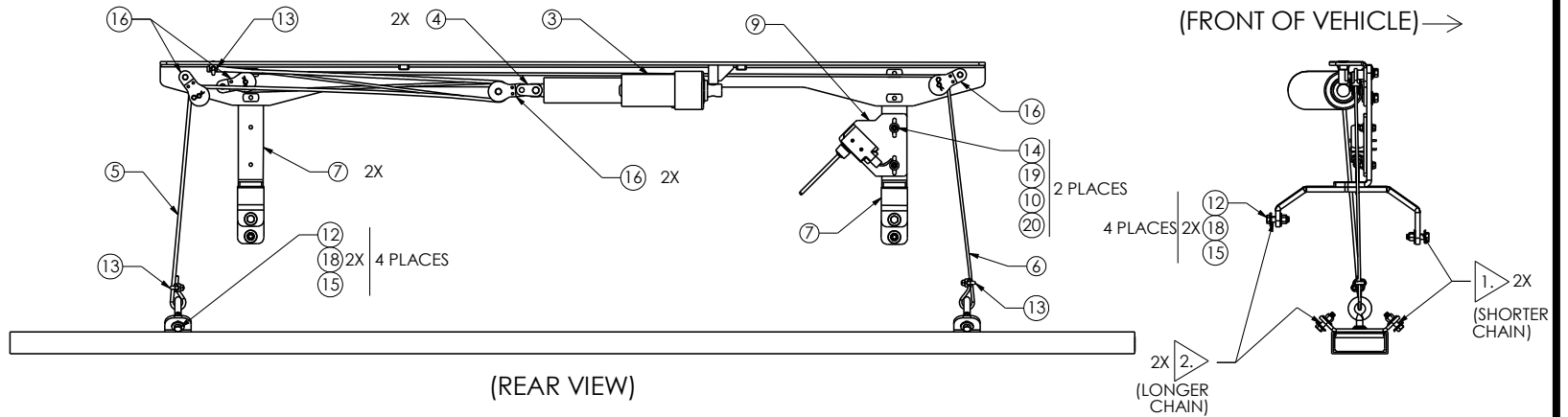


# Section 5 - Body

## 204H15 - MAGNET BAR 90"



ITEM NO.	PART NUMBER	Default/QTY.	DESCRIPTION
1	523753	1	WELD,BKT,B-MGNT,A7-08
2	204H14	1	BAR MAGNET, WITH BRACKETS, 90
3	20036R	1	8" ACTUATER, ROTATED
4	5217228	2	LINK,PULLER,B-MAG,A7-08
5	22099-76	1	MAGNET CABLE, RH-SIDE
6	22099-314	1	MAGNET CABLE, LH-SIDE
7	524669	2	UPSTOP, W SENSOR MOUNT, WLDMT
8	21506	1	LIMIT SWITCH
9	5219918	1	BRACKET, LIMIT INDICATOR
10	30653	2	BOLT, 1/4-20X1.25
11	30671	4	3/8-16 X 1.0 HEX BOLT G5
12	30673	8	BOLT,3/8-16 UNC X 1 1/2,HEX
13	21824	3	CLAMP, 3/16" CABLE
14	31149	2	1/4-20 LOCK NUT
15	31154	8	NUT, 3/8-16 NYLOCK
16	20218	5	PULLEY BLOCK
17	32128	4	LOCK WASHER 3/8
18	31593	20	FLAT WASHER 3/8
19	31589	4	WASHER,1/4 FLAT
20	31604	2	WASHER,1/4 LOCK
21	20815-12	2	CHAIN, 3/16" LINKS
22	20815-14	2	CHAIN, 3/16" LINKS



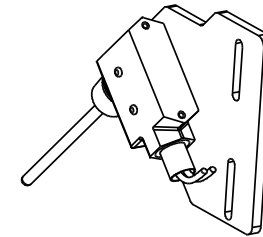
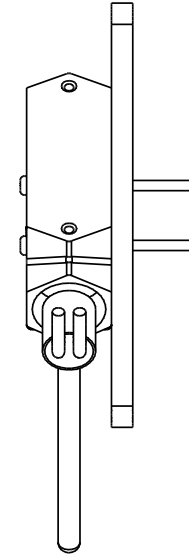
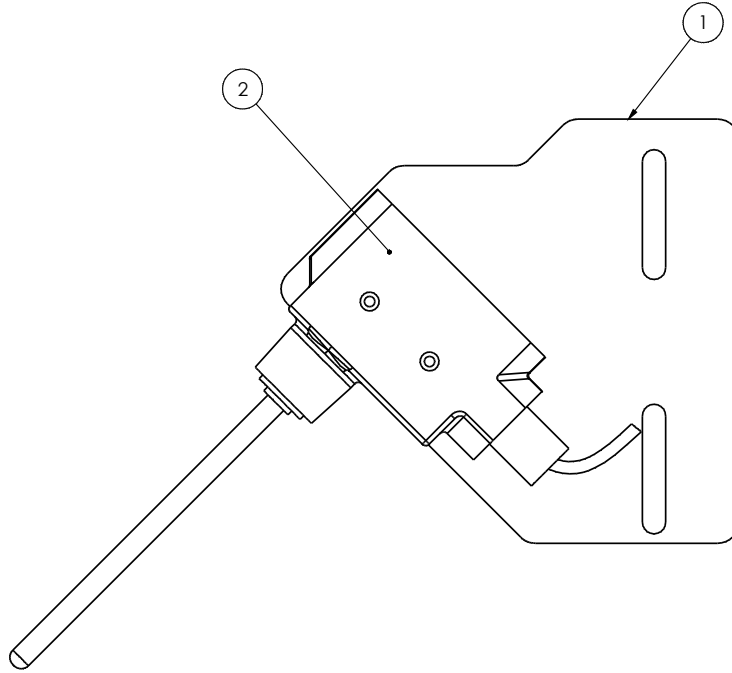
### NOTES:

1. INSTALL F/N: 21 AS SHOWN
2. INSTALL F/N: 22 AS SHOWN

# Section 5 - Body

## 204H17 - BRKT, UPSTOP W/SENSOR ASSY

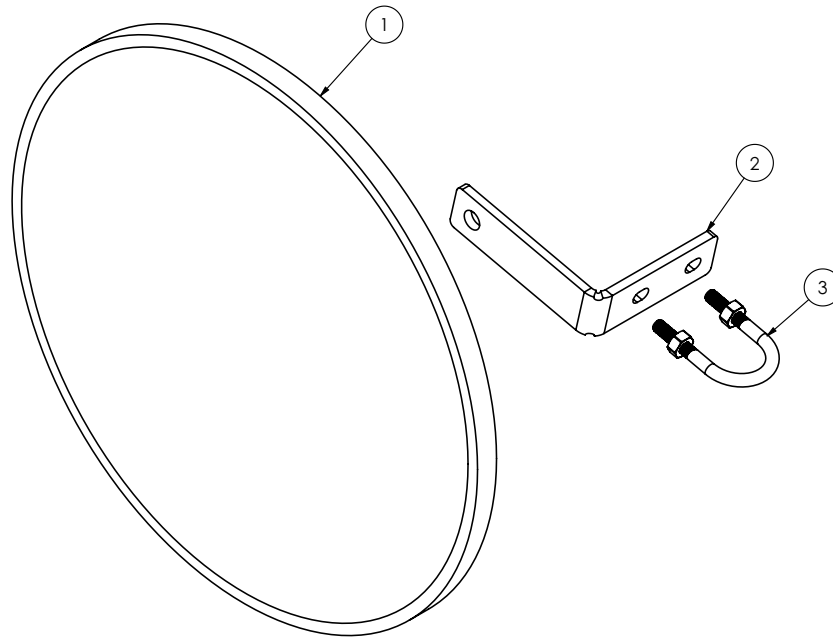
ITEM NO.	PART NUMBER	QTY.	DESCRIPTION
1	5219918	1	BRACKET, LIMIT INDICATOR
2	21506	1	LIMIT SWITCH



# Section 5 - Body

## 204R70 - CONVEX MIRROR, 12"

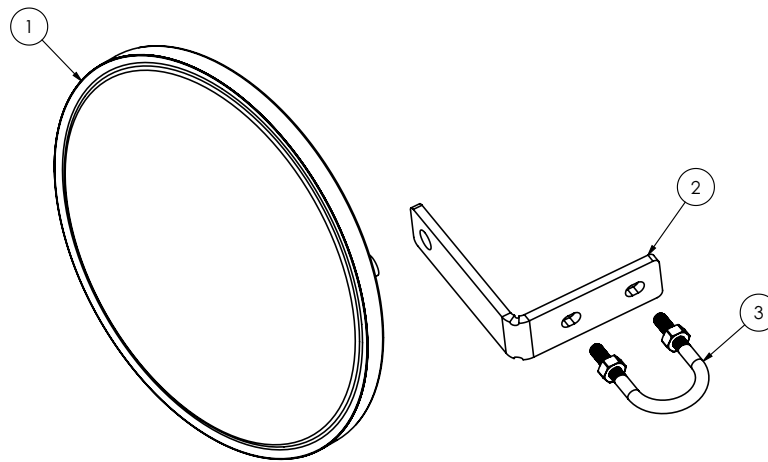
ITEM NO.	PART NUMBER	QTY.	DESCRIPTION
1	23553	1	CONVEX MIRROR, STAINLESS, 12"
2	6501175	1	BRKT.FRONT SPRAYBAR
3	32282	1	U-BOLT, 1/4-20 X 1-1/8



## Section 5 - Body

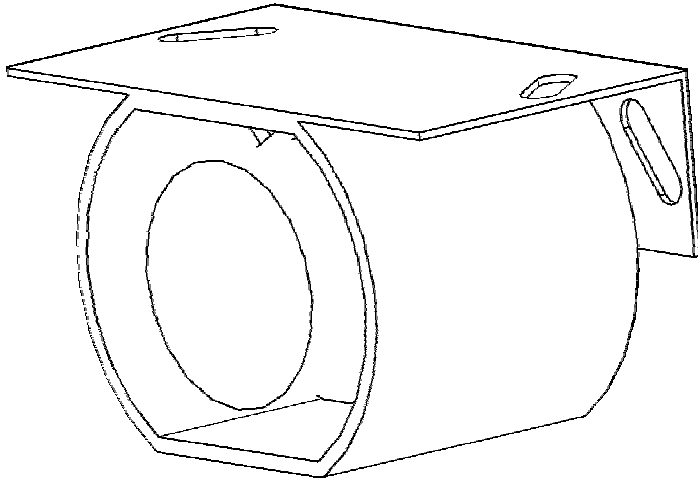
### 204R69 - CONVEX MIRROR, 8"

ITEM NO.	PART NUMBER	QTY.	DESCRIPTION
1	21098	1	CONVEX MIRROR, STAINLESS, 8"
2	6501175	1	BRKT,FRONT SPRAYBAR
3	32282	1	U-BOLT, 1/4-20 X 1-1/8

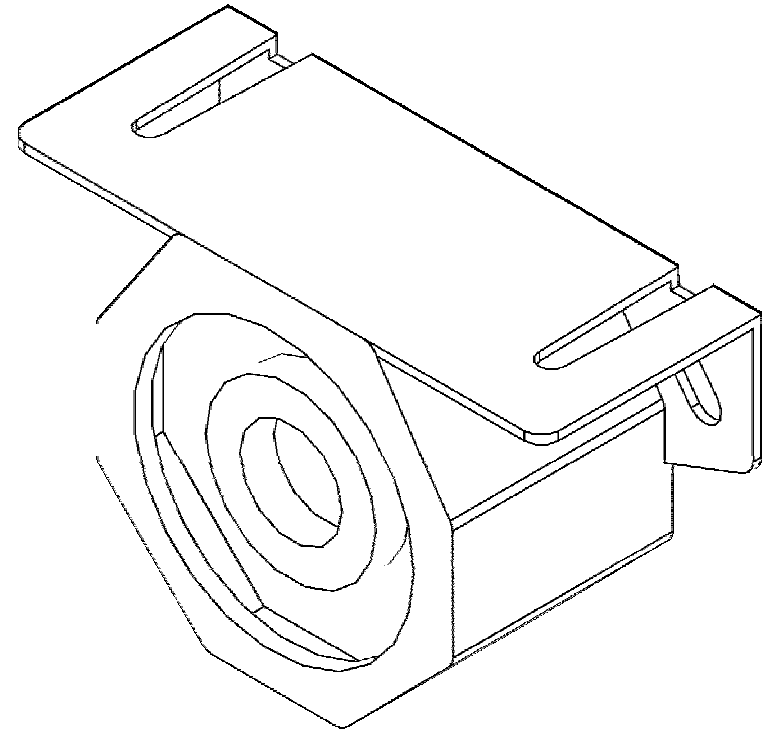


## Section 5 - Body

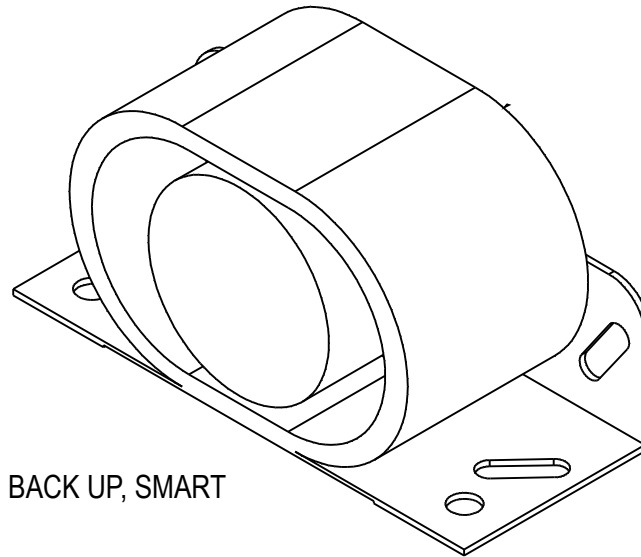
### BACKUP ALARMS



+204T84 BACK UP ALARM AUTO



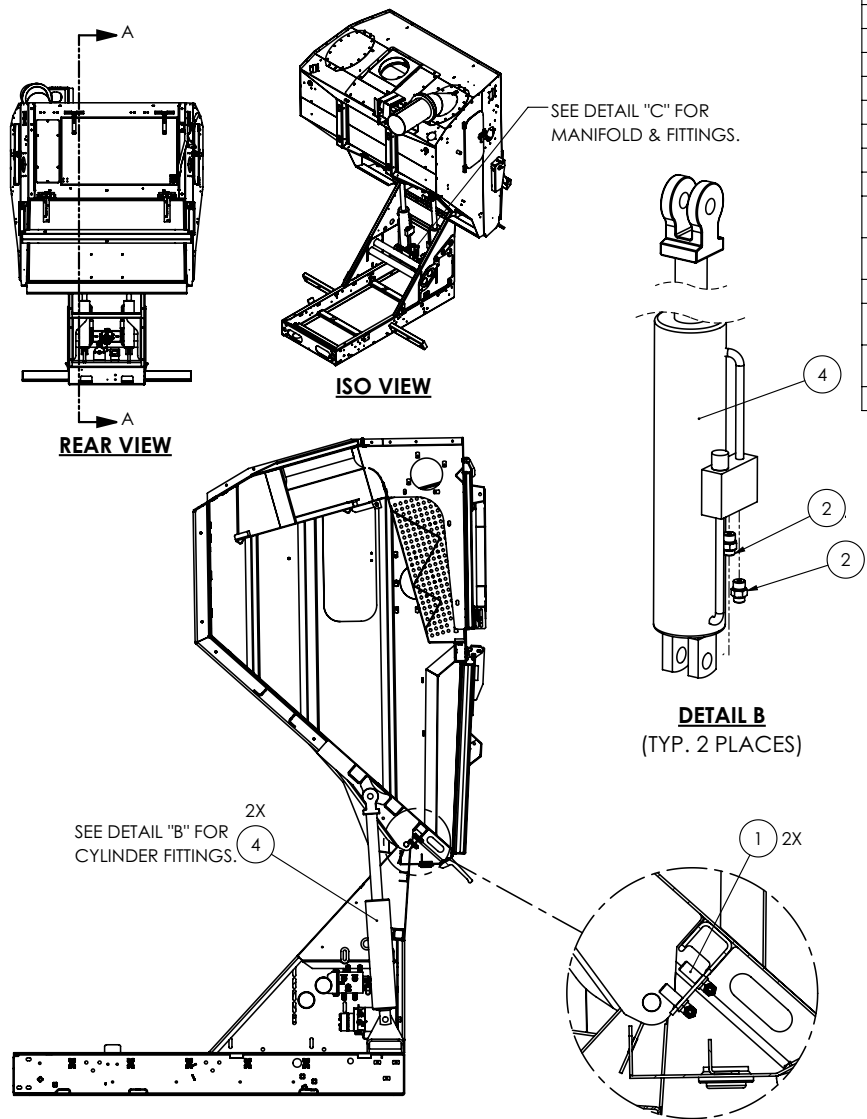
+204T85 BACK UP ALARM Y ECCO



+204P76 ALARM, BACK UP, SMART

# Section 5 - Body

## 204P24 - DUMP KIT, SINGLE MAN

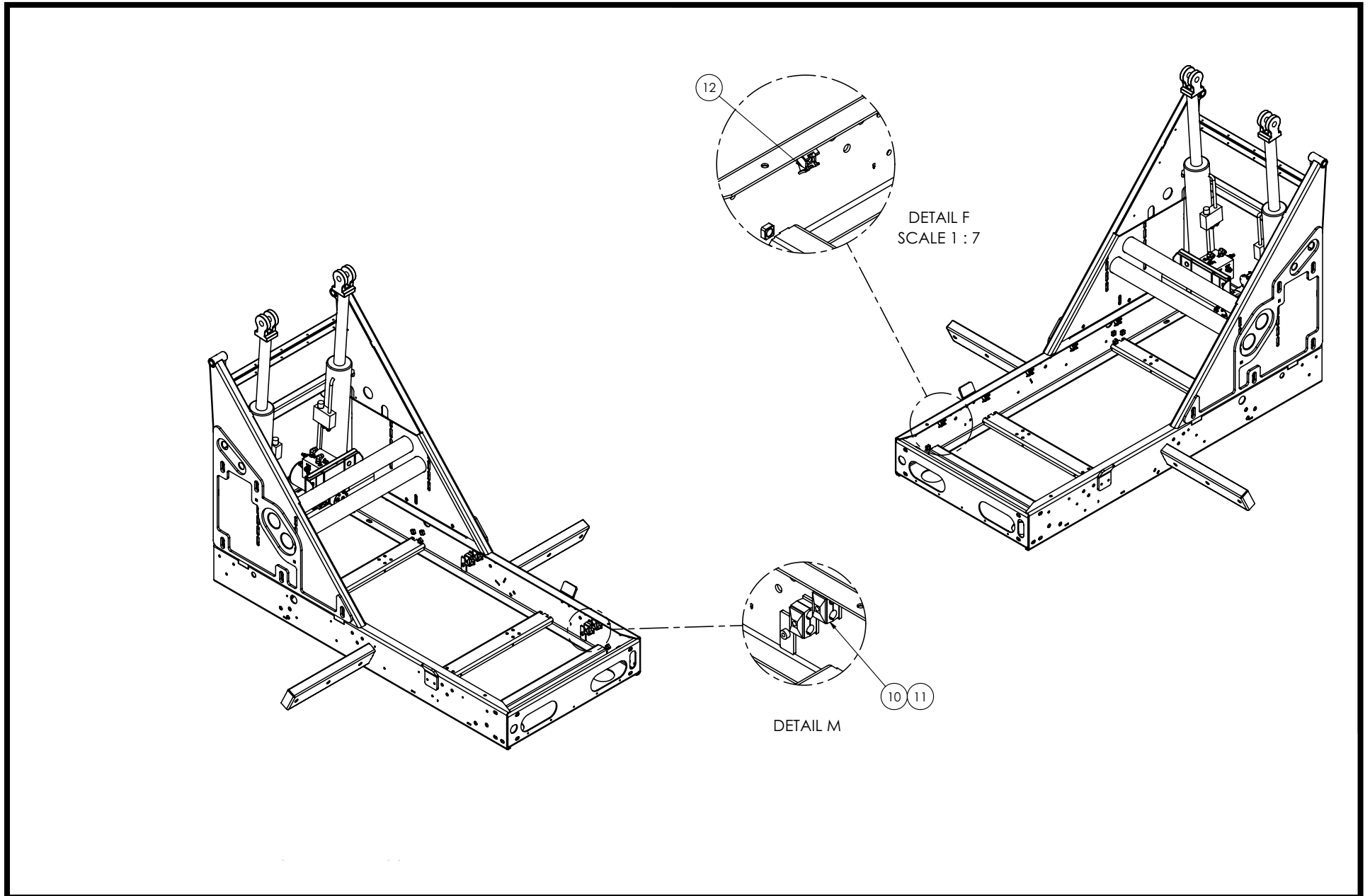


ITEM NO.	PART NUMBER	QTY.	DESCRIPTION
1	62884	2	TEE, BULKHEAD BRANCH 04-04-04
2	61043	4	3/8" MORFS X 1/2" MORB
3	66469	1	MANIFOLD, DUMP, A4T/S350T
4	64227	2	DUMP CYLINDER W/ C'BALANCE
5	5222839	1	PLATE, DUMP MNFLD, 350T, A4T
6	525411	2	HOSE, HPR MANIFOLD TO BLKHD TEE
7	525419	4	HOSE, HPR LIFT CYL TO MANIFOLD
8	525240	2	RIGHT HPR DOOR CYL - BLKHD TEE
9	525241	2	LEFT HPR DOOR CYL - BLKHD TEE
10	67313	4	CLAMP, TUBE, TWIN, 5/8 OD
11	28431	4	CLAMP, TOP 1/2" HARDLINE
12	67345	5	MOUNT,SADDLE,TWO-WAY,1/4" STUD
13	525671	1	HOSE, HOPPER MANIFOLD PORT "A" (HOPPER UP) TO HOSE END "A"
14	525672	1	HOSE, HOPPER MANIFOLD PORT "B" (HOPPER DOWN) TO HOSE END "B"
15	525673	1	HOSE, HOPPER MANIFOLD PORT "T" TO HOSE END "C"
16	525676	1	HOSE, MAIN MANIFOLD PORT "A" TO HOSE END "A" (HOPPER UP)
17	525677	1	HOSE, MAIN MANIFOLD PORT "B" TO HOSE END "B" (HOPPER DOWN)
18	525678	1	HOSE, TANK TO HOSE END "C"



# Section 5 - Body

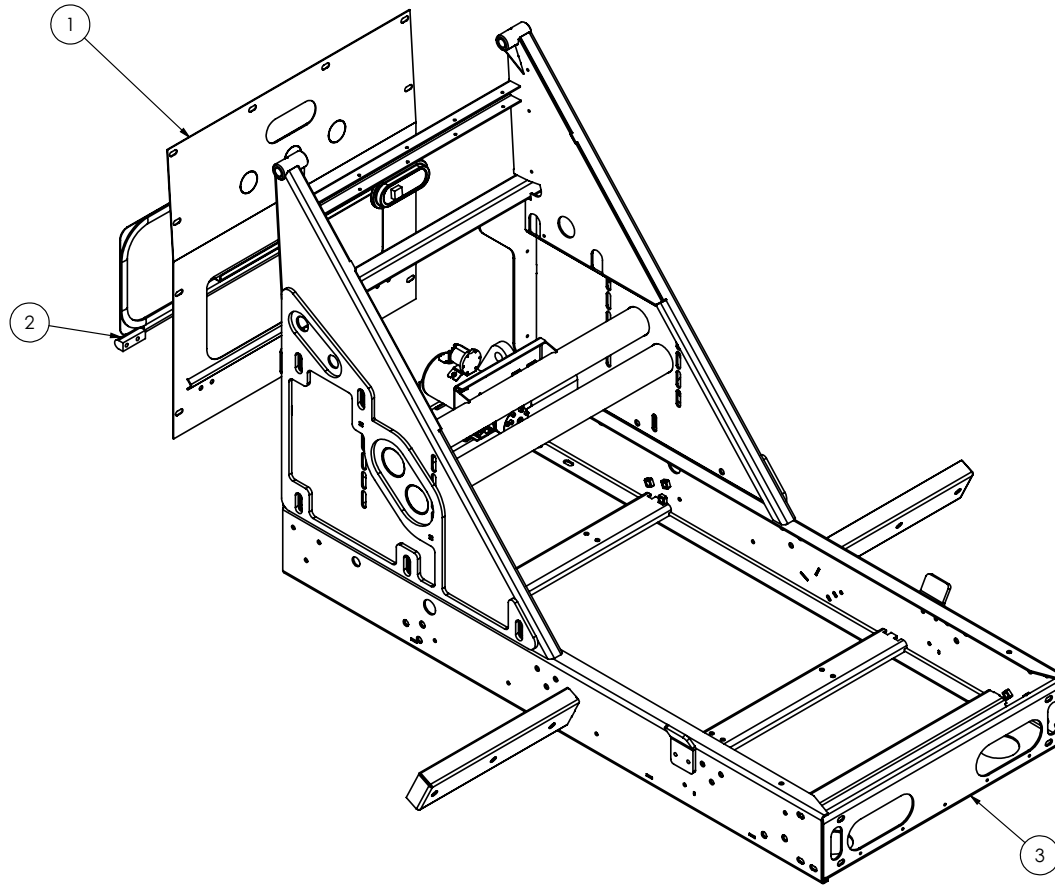
## 204P24 - DUMP KIT, SINGLE MAN



# Section 5 - Body

## 204L94 - FRAME

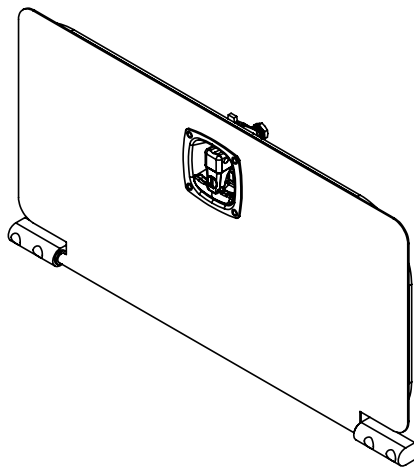
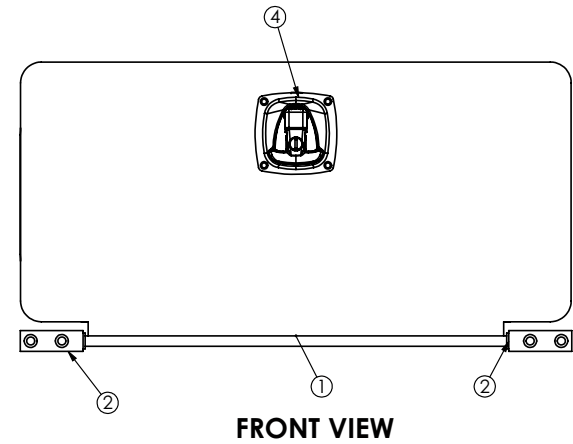
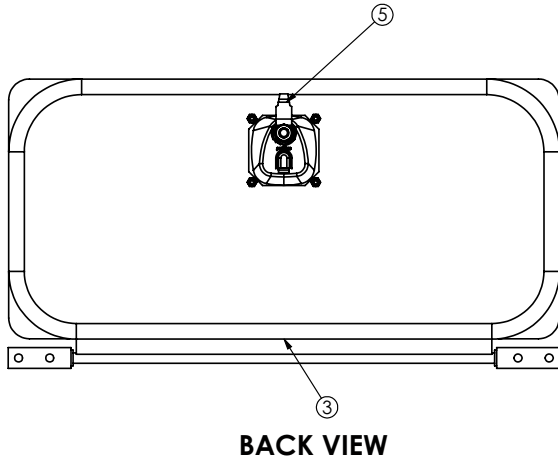
ITEM NO.	PART NUMBER	QTY.	DESCRIPTION
1	525424	1	REAR PANEL, WELDMENT
2	204A55	1	REAR INSP DOOR ASSY, S-SERIES
3	525146	1	FRAME, SWEEPER, A4, T-4
4	59875	1	GROMMET, OVAL 6"
5	55625	1	LIGHT, 6.5" WIDE, RED LED
6	29437	1	BUMPER,RUBBER 1.25 D X 1.875 L



# Section 5 - Body

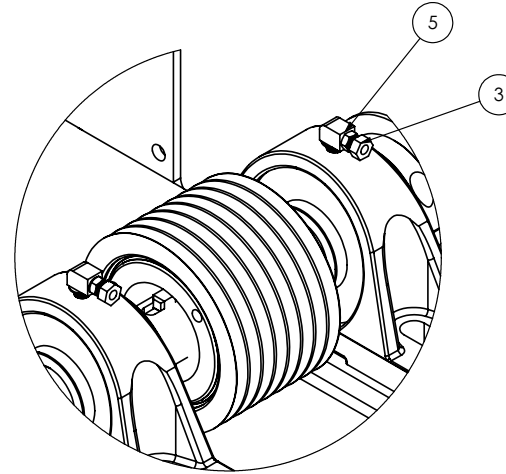
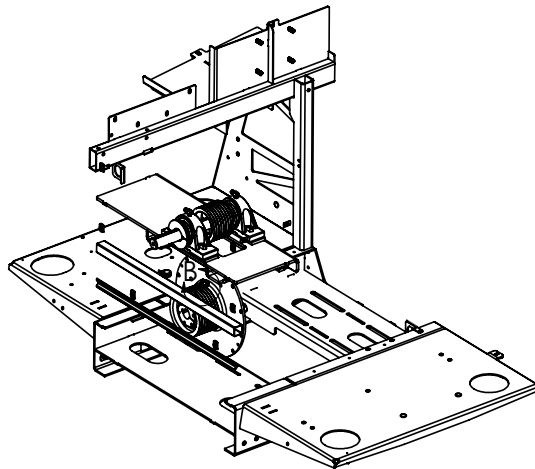
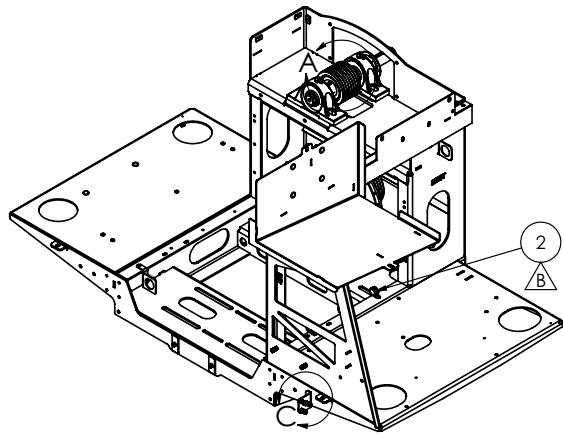
## 204A55 - REAR INSPECTION DOOR

ITEM NO.	PART NUMBER	Default/QTY.	DESCRIPTION
1	524209	1	DOOR, REAR INSP, S-SERIES
2	28458	2	ALUMINUM HINGE, SHORT
3	25947-072	1	HOPPER INSPECTION DOOR SEAL
4	63120	1	LATCH, LOCKING, SOUTHCO COMP
5	63119	1	LATCH OFFSET, DEEP, SOUTHCO

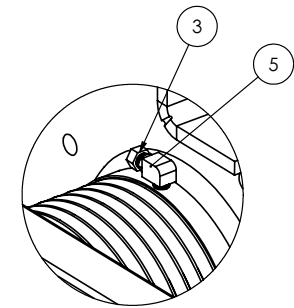
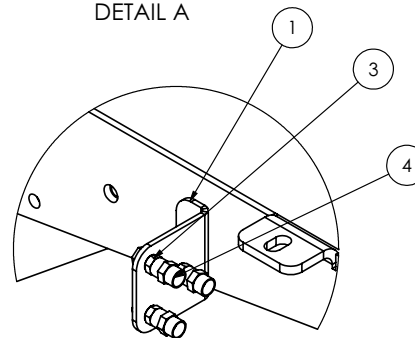


# Section 5 - Body

## 204P17 - REMOTE GREASE



DETAIL A



DETAIL B

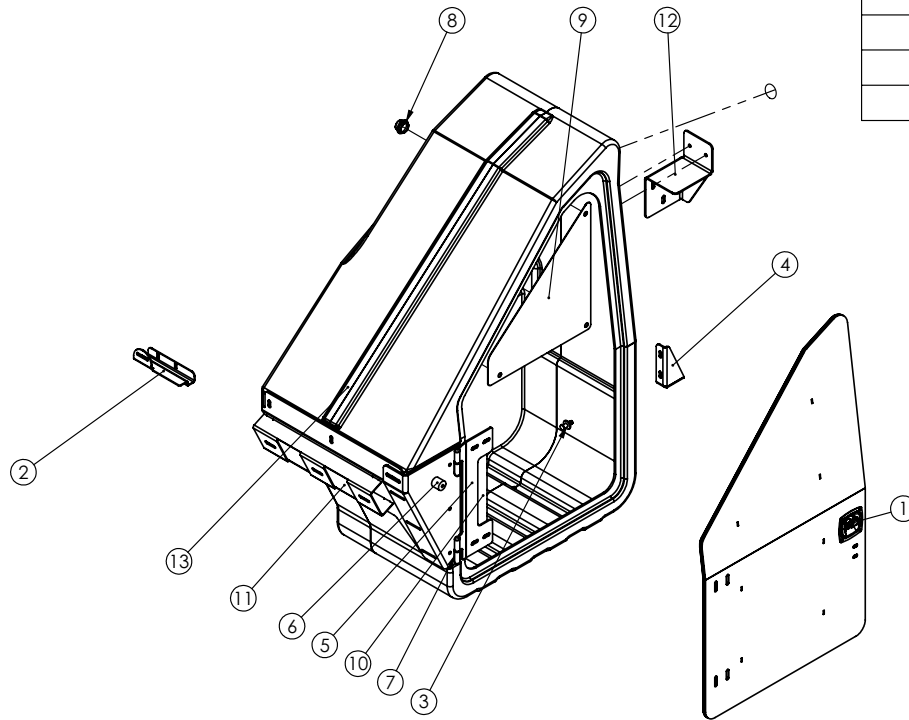
ITEM NO.	PART NUMBER	DESCRIPTION	QTY.
1	5215502	BRACKET, REM GREASE FITTING	1
2	20140	CLAMP, 1.0" RUBBER LINED	5
3	23541	CONNECTOR, 1/4 TUBE 1/8 MPT	6
4	20131	COUPLING, 1/8 NPT BRASS	3
5	20142	ELBOW, 1/8 NPT STREET, BRASS	3

### ITEMS BELOW NOT SHOWN

ITEM NO.	PART NUMBER	DESCRIPTION	QTY.
6	29686	DECAL, IMPORTANT GREASE FAN	1
7	67067	GREASE LINE, 4MM RED	20FT

# Section 5 - Body

## 204L89 - TOOLBOX LH

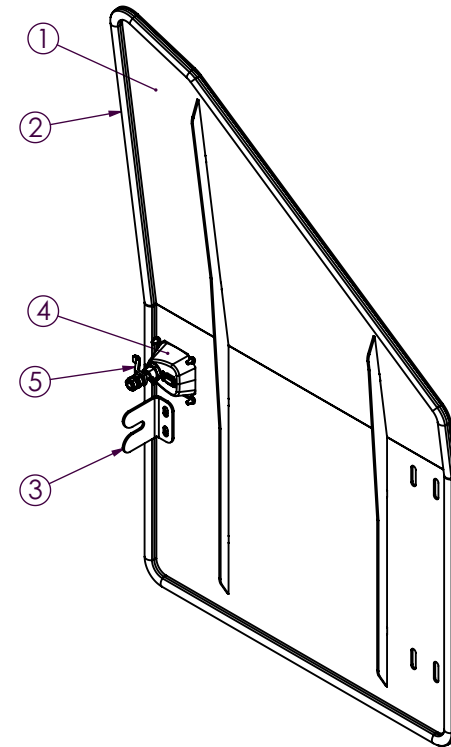
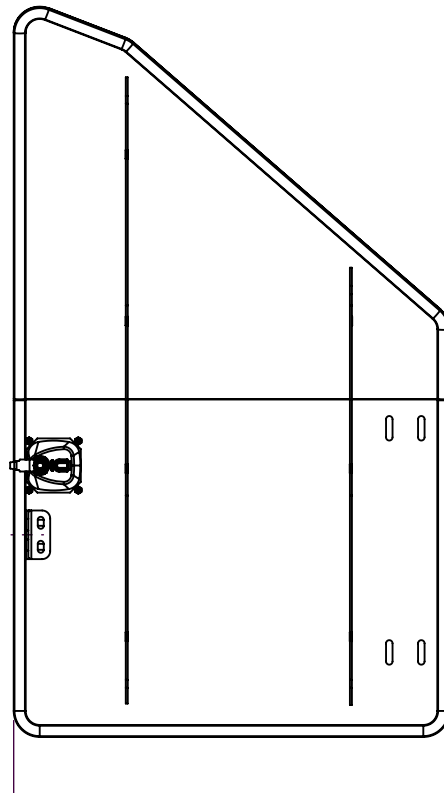


ITEM NO.	PART NUMBER	DESCRIPTION	Default/QTY.
1	204D91	TOOLBOX DOOR ASSY, LH	1
2	5215432	LH TOOLBOX DOOR GUIDE OFFSET	1
3	23935	LATCH, STRIKER BOLT	1
4	5215427	LH BRACE, TOOLBOX	1
5	524536	DOOR HINGE, LH, WELD	1
6	23099	BUMPER,RUBBER 1 1/4 ROUND W/3/8-16 HOLE	1
7	524534	HINGE SUPPORT, LH, WELD	1
8	63122	LIGHT, 1-1/4 LED UTILITY	1
9	5218572	PLATE, UPRIGHT FILLER PANEL	1
10	524540	TOOLBOX DOOR RETAINER, WELD	1
11	525175	TOOLBOX FRAME, A4, T-4	1
12	5221911	REAR TOOL BOX MOUNT, LH, A4T	1
13	66078	LH TOOLBOX , A4T	1
14	64595	CONNECTOR, 2WAY, RECEIPT	1
15	64610	WEDGELOCK, DT, 2POS, RECPT	1

# Section 5 - Body

## 204D91 - TOOLBOX LH DOOR

ITEM NO.	PART NUMBER	QTY.	DESCRIPTION
1	524538	1	TOOLBOX DOOR, LH, WELD
2	25947	1	EPDM D-SHAPED GASKET SEAL, 13'
3	5215433	1	TOOLBOX DOOR GUIDE
4	63120	1	LATCH, LOCKING, SOUTHCO COMP
5	63119	1	LATCH OFFSET, DEEP, SOUTHCO



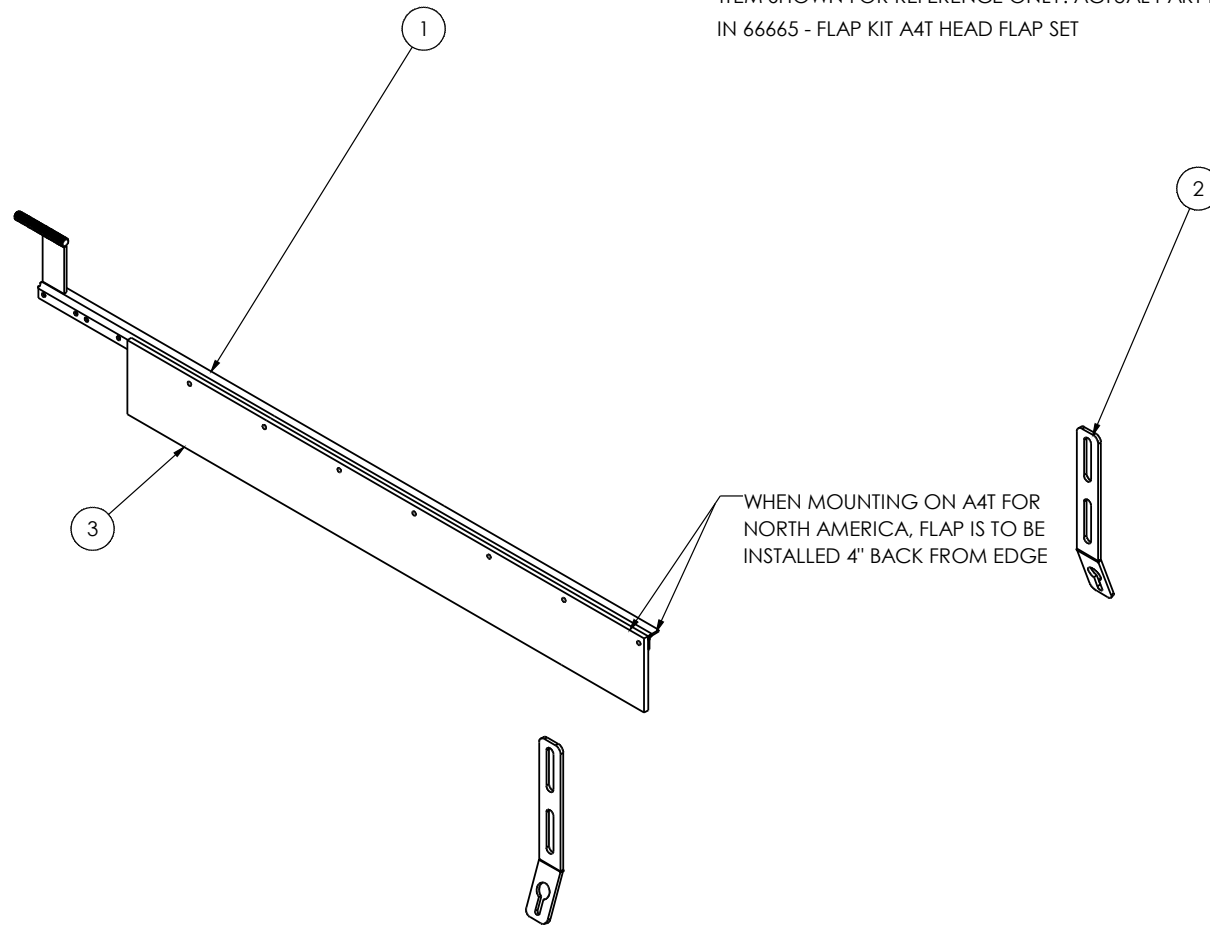
# Section 5 - Body

## 204N71 - CENTER DIVIDER

ITEM NO.	PART NUMBER	DESCRIPTION	QTY.
1	522886	CENTER FLAP ASSY	1
2	6501677	BRKT,CNTR DFLCTR FRT CHAIN, A4	2

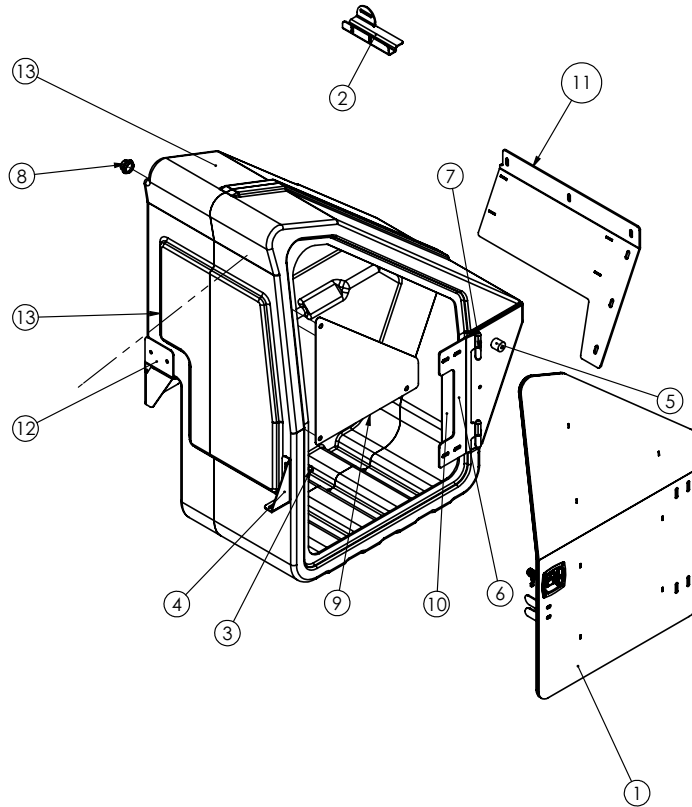
ITEM NO.	PART NUMBER	DESCRIPTION	QTY.
* 3	66445	CENTER DEFLECTOR, A4	1

\* ITEM SHOWN FOR REFERENCE ONLY. ACTUAL PART IS INCLUDED IN 66665 - FLAP KIT A4T HEAD FLAP SET



# Section 5 - Body

## 204L88 - TOOLBOX RH



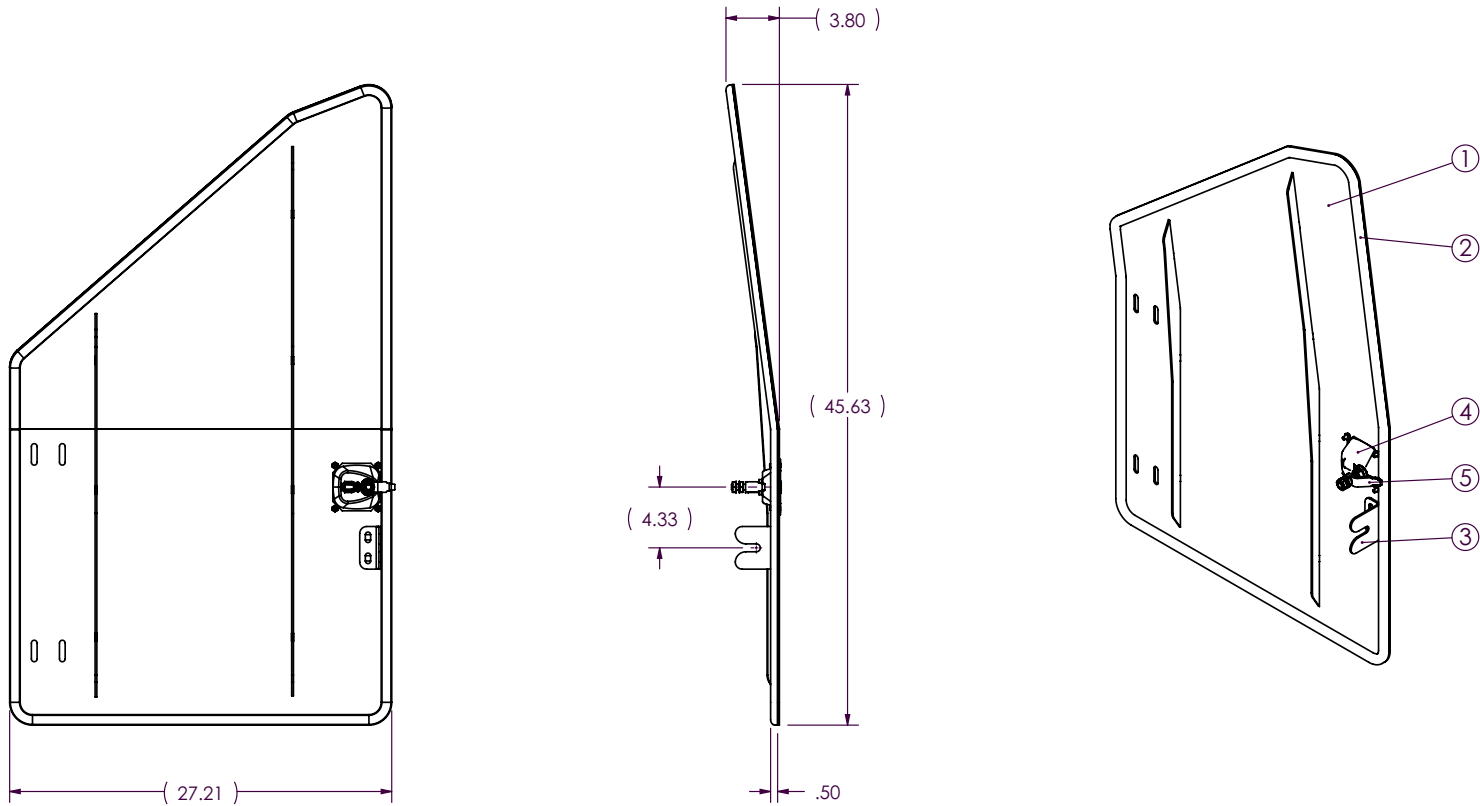
ITEM NO.	PART NUMBER	DESCRIPTION	Default/QTY.
1	204D92	TOOLBOX DOOR ASSEMBLY, RH	1
2	5215434	RH TOOLBOX DOOR GUIDE OFFSET	1
3	23935	LATCH, STRIKER BOLT	1
4	5215428	LH BRACE, TOOLBOX	1
5	23099	BUMPER,RUBBER 1 1/4 ROUND W/3/8-16 HOLE	1
6	524537	DOOR HINGE, RH, WELD	1
7	524535	HINGE SUPPORT, RH, WELD	1
8	63122	LIGHT, 1-1/4 LED UTILITY	1
9	5218572	PLATE, UPRIGHT FILLER PANEL	1
10	524540	TOOLBOX DOOR RETAINER, WELD	1
11	525176	TOOLBOX FRAME,RH, A4, T-4	1
12	5221912	REAR TOOL BOX MOUNT, RH, A4T	1
13	66079	RH TOOLBOX, A4T	1
14	64595	CONNECTOR, 2 WAY RECPT	1
15	64610	WEDGELOCK, DT, 2 POS RECPT	1



# Section 5 - Body

## 204D92 - TOOLBOX RH DOOR

ITEM NO.	PART NUMBER	QTY.	DESCRIPTION
1	524539	1	TOOLBOX DOOR, RH, WELD
2	25947	1	EPDM D-SHAPED GASKET SEAL, 13'
3	5215433	1	TOOLBOX DOOR GUIDE
4	63120	1	LATCH, LOCKING, SOUTHCO COMP
5	63119	1	LATCH OFFSET, DEEP, SOUTHCO



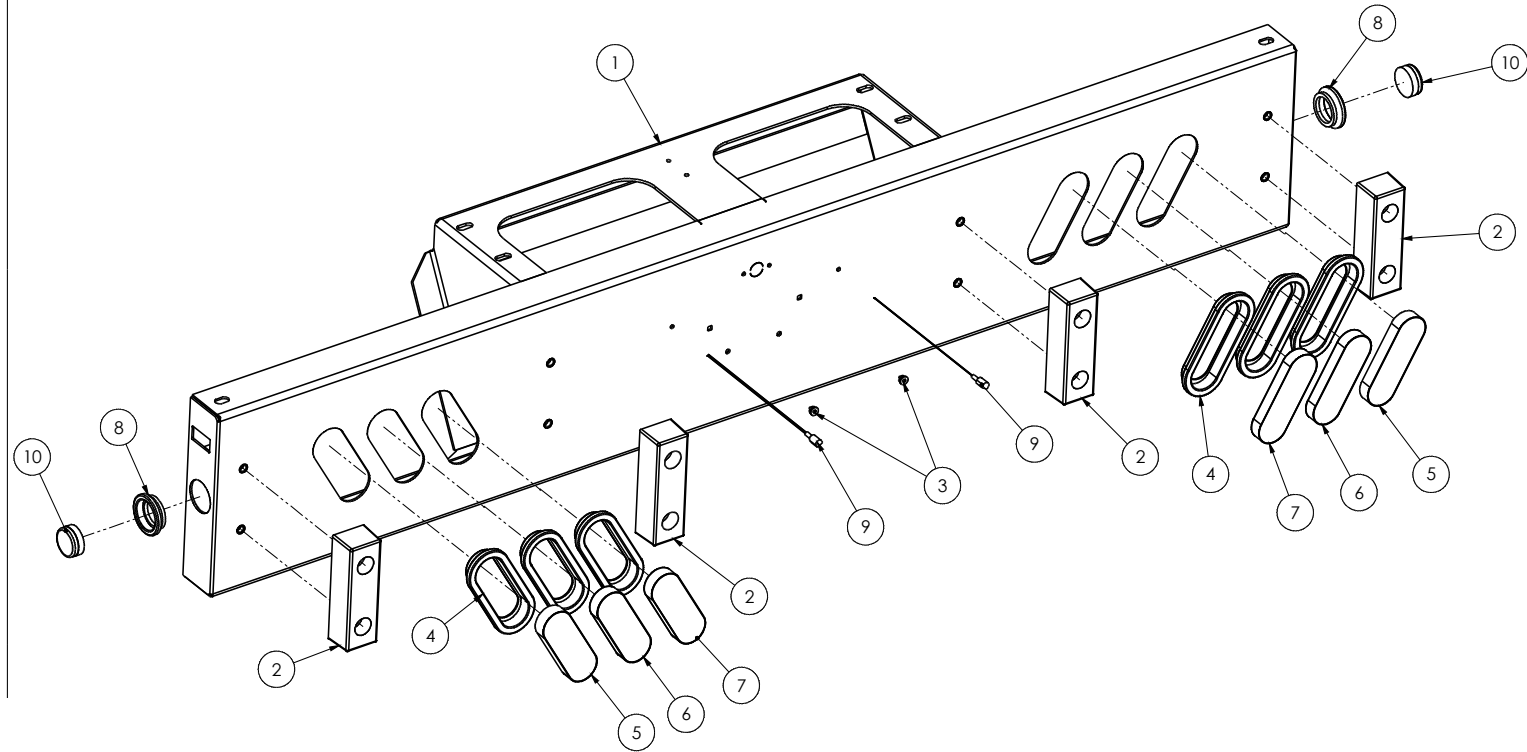
# Section 5 - Body

## 204M17 - BUMPER, REAR

ITEM NO.	PART NUMBER	QTY.	DESCRIPTION
1	525211	1	BUMPER WELD, A4T, S350
2	29455	4	BUMPER 8 X 2-1\2 X 2
3	27966	2	TAG SCREW RECEPTACLE INSERT
4	59875	6	GROMMET, OVAL 6"
5	55625	2	LIGHT, 6.5" WIDE, RED LED
6	54209	2	LIGHT, 6.5" WIDE, AMBER, LED
7	60800	2	LIGHT, 6.5" LED BACKUP LIGHT
8	23136	2	GROMMET, 2" MARKER LIGHT
9	66384	2	LED TAG LIGHT BOLT
10	20779	2	LIGHT, LED, 2" RED, SIDE MARKR

ITEMS BELOW NOT SHOWN

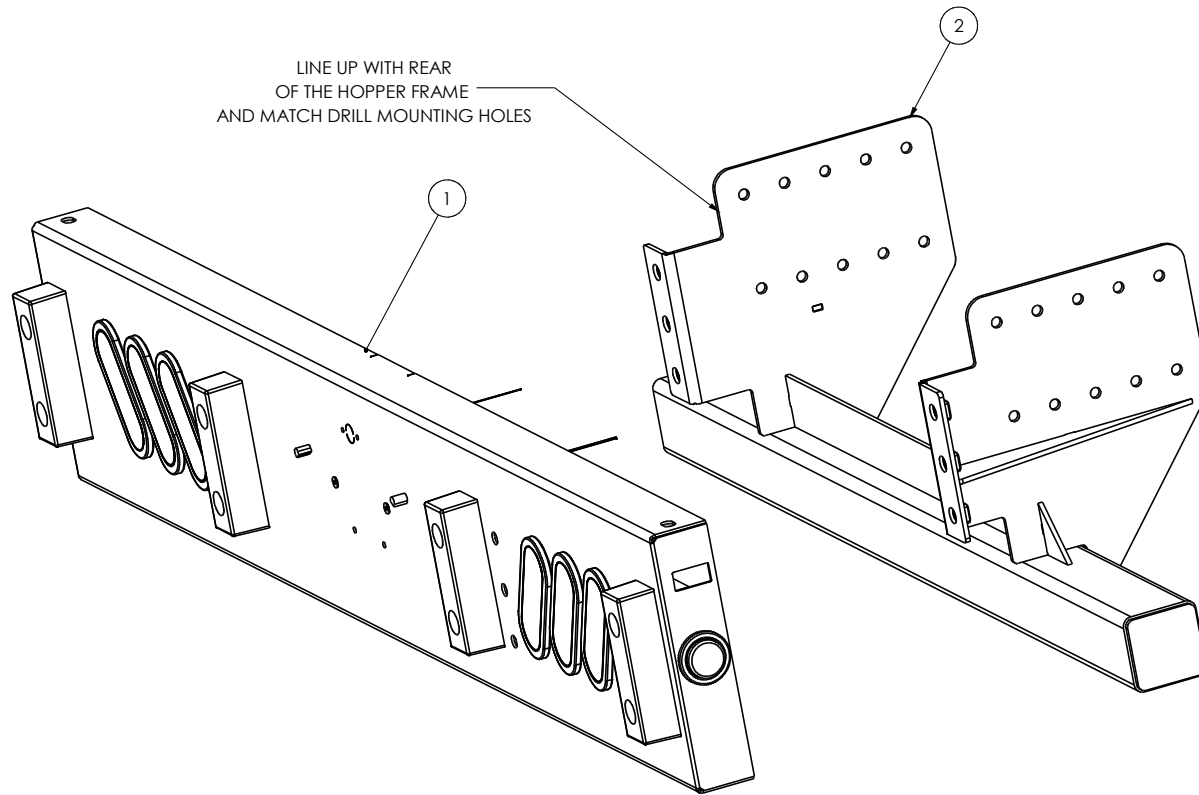
BOM Table			
ITEM NO.	PART NUMBER	QTY.	DESCRIPTION
11	66371	1	HARNESS, REAR BUMPER, A4T/S350T
12	64596	1	CONNECTOR, 4WAY RECEPTACLE
13	64612	1	WEDGELOCK, DT, 4POS RECPT



# Section 5 - Body

## 204U66 - LIGHTED BUMPER, IH M2

ITEM NO.	PART NUMBER	DESCRIPTION	QTY.
1	204U65	ASSY, BUMPER, A4 IH M2	1
2	524915	WELD, BMPER, SUPPORT A4, IH M2	1



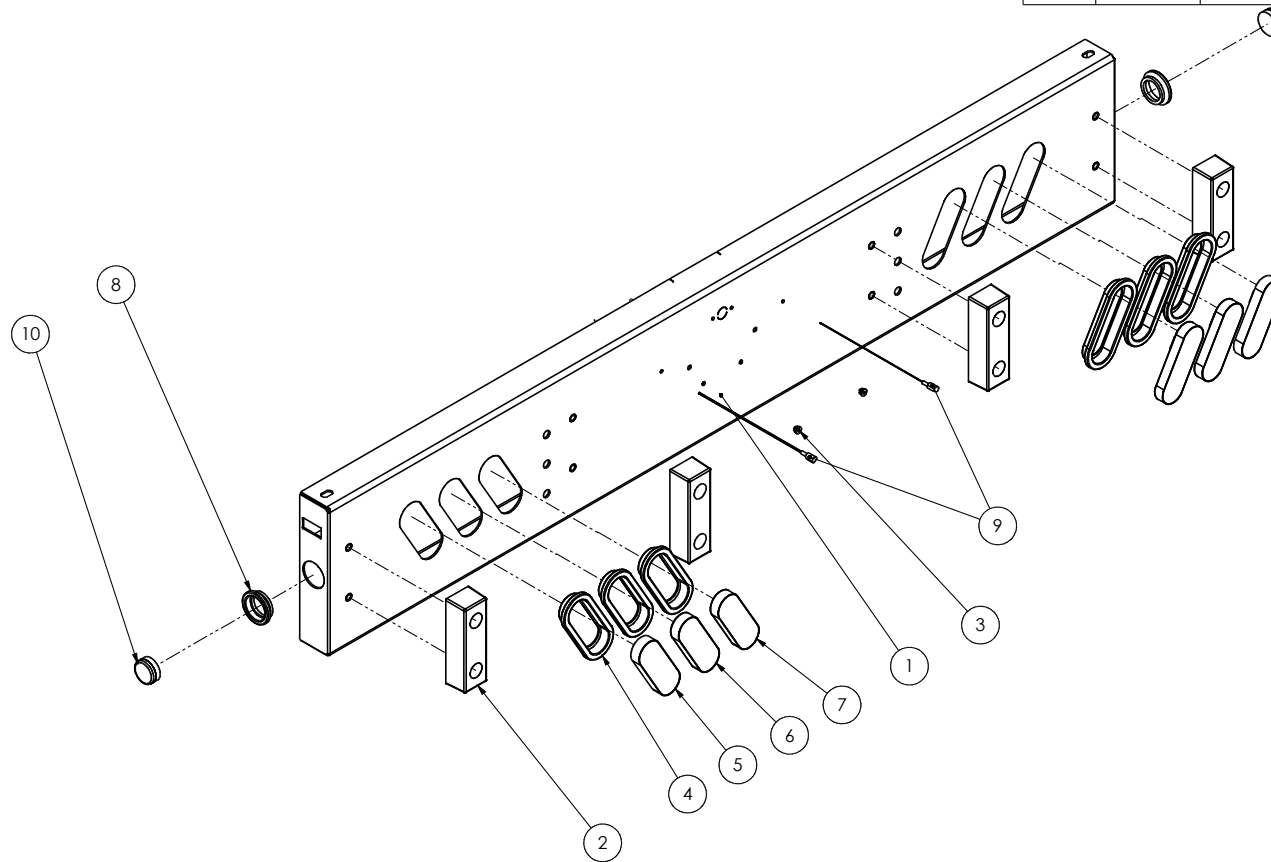
# Section 5 - Body

## 204U65 - BUMPER, IH M2

ITEM NO.	PART NUMBER	DESCRIPTION	QTY.
1	525827	BUMPER WELD, A4, IH, M2	1
2	29455	BUMPER 8 X 2-1/2 X 2	4
3	27966	TAG SCREW RECEPTACLE INSERT	2
4	59875	GROMMET, OVAL 6"	6
5	55625	LIGHT, 6.5" WIDE, RED LED	2
6	54209	LIGHT, 6.5" WIDE, AMBER, LED	2
7	60800	LIGHT, 6.5" LED BACKUP LIGHT	2
8	23136	GROMMET, 2" MARKER LIGHT	2
9	66384	LED TAG LIGHT BOLT	2
10	20779	LIGHT, LED, 2" RED, SIDE MARKR	2

ITEMS BELOW NOT SHOWN

ITEM NO.	PART NUMBER	DESCRIPTION	QTY.
11	66371	HARNASS, REAR BUMPER, A4T/S350TA1	1
12	64596	CONNECTOR, 4WAY RECEPTACLE	1
13	64612	WEDGELOCK, DT, 4POS RECP	1



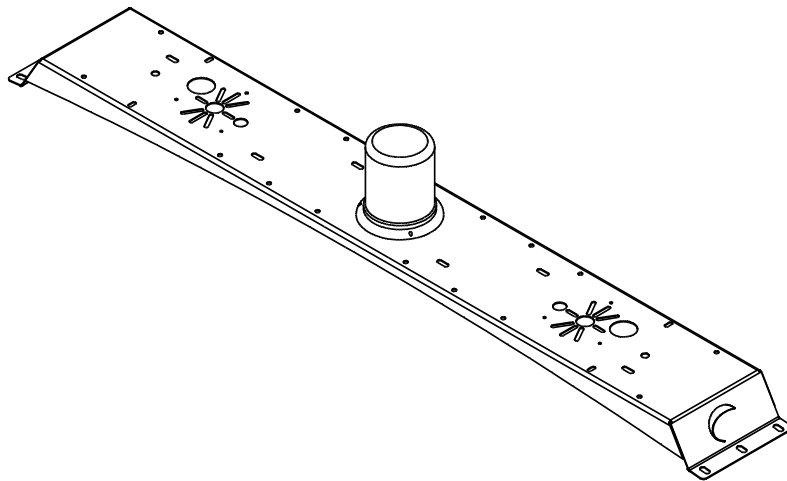
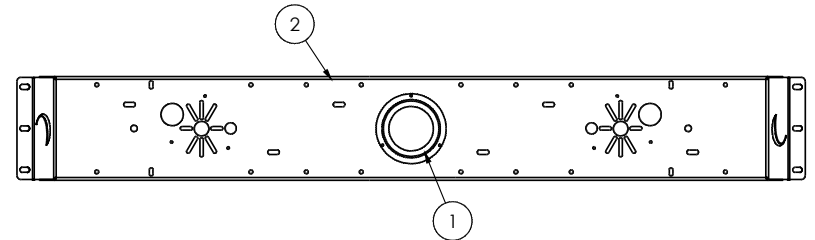
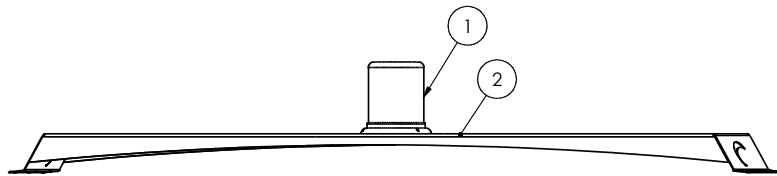
# Section 5 - Body

## 204A02 - STROBE, CAB

ITEM NO.	PART NUMBER	QTY.	DESCRIPTION
1	61935	1	BEACON, LED, CLASS 1 AMBER
2	5217990	1	BKT, WHELEN, 09 GMC CAB MNT

ITEMS BELOW NOT SHOWN

ITEM NO.	PART NUMBER	QTY.	DESCRIPTION
3	20529	50"	TUBING, 3/8" NYLON
4	20139	3	CLAMP, 1/2" RUBBER COATED



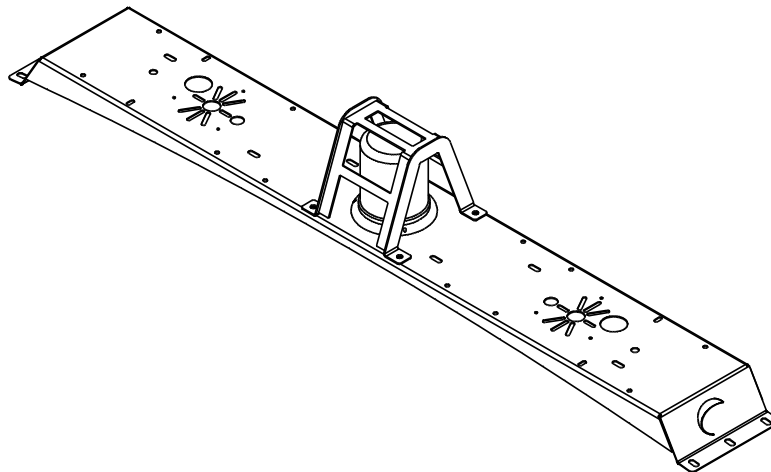
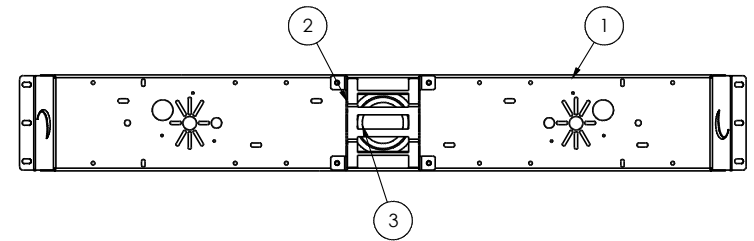
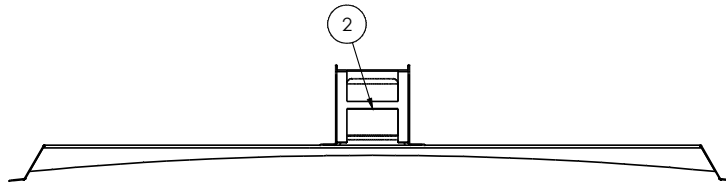
# Section 5 - Body

## 204A03 - STROBE LIGHT

ITEM NO.	PART NUMBER	QTY.	DESCRIPTION
1	5217990	1	BKT, WHELEN, 09 GMC CAB MNT
2	524393	1	GUARD, BEACON, W-4
3	61935	1	BEACON, LED, CLASS 1 AMBER

ITEMS NOT SHOWN

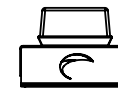
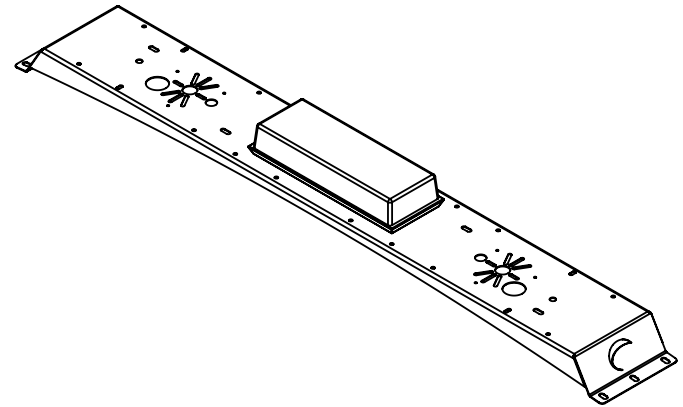
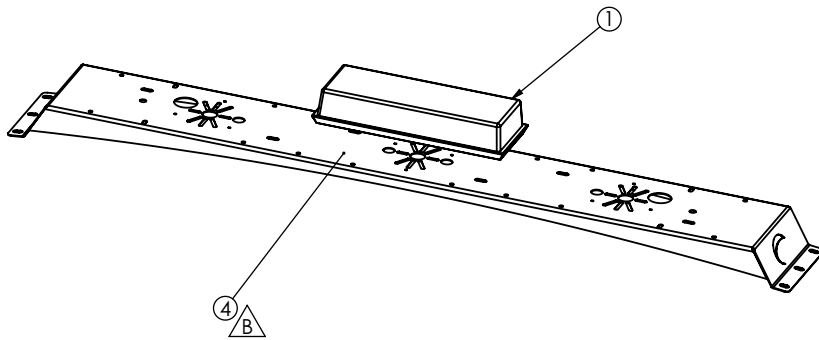
ITEM NO.	PART NUMBER	QTY.	DESCRIPTION
4	20529	4.166	TUBING, 3/8" NYLON
5	20139	3	CLAMP, 1/2" RUBBER COATED



# Section 5 - Body

## 203Y78 - MINI BARLIGHT

ITEM NO.	PART NUMBER	QTY.	DESCRIPTION
1	61523	1	MINI LED BARLIGHT
2	20139	3	CLAMP, .50" RUBBER LINED
3	20529-4	1	TUBING, 3/8 NYLON AIR, 10 FEET
4	5217990	1	BKT, WHELEN, 09 GMC CAB MNT



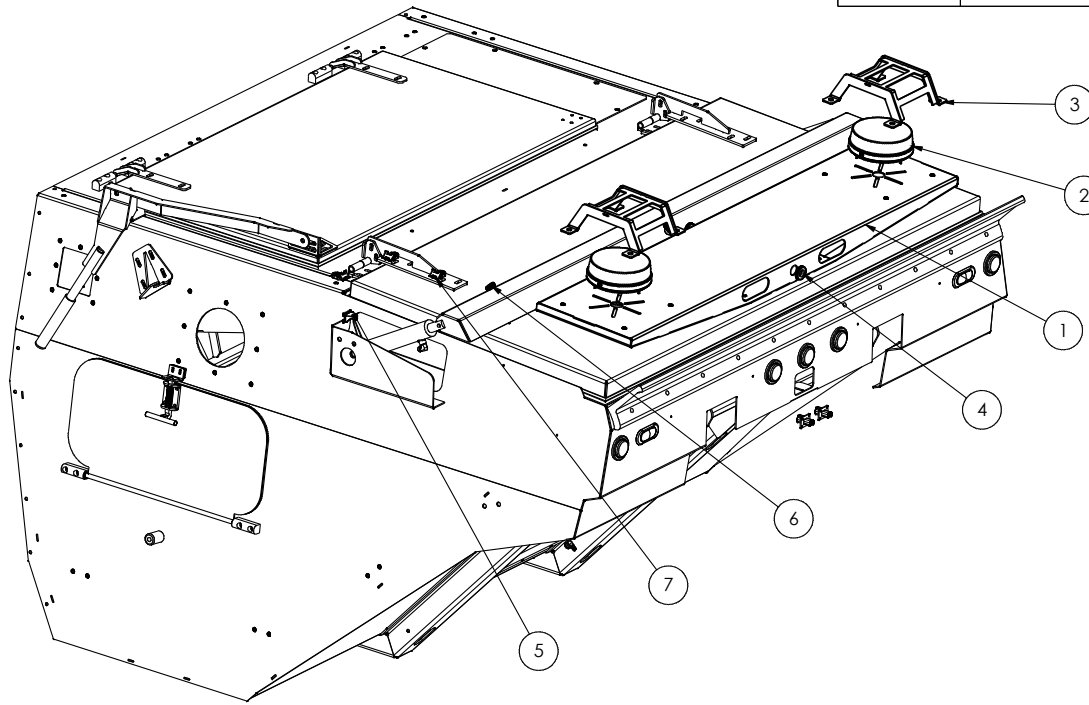
# Section 5 - Body

## 204W81 - STROBE ASM, DUAL BK 3CR12

ITEM NO.	PART NUMBER	QTY.	DESCRIPTION
1	526018	1	WELD,STRBE BAR DUAL REAR A4
2	66764	2	BEACON, LED, WHELEN L32
3	525957	2	WELD, LIMB GUARD, LOW PROFILE
4	21021	2	GROMMET, .75 HOLE
5	67148	1	STRAP MOUNT, AXIAL, 5/16 BOLT
6	26024	2	5/8" GROMMET
7	66416	3	STRAP MOUNT, 3/8 BOLT

### ITEMS NOT SHOW

ITEM NO.	PART NUMBER	QTY.	DESCRIPTION
8	64595	3	CONN, RECPT, DT, 2-POS
9	64610	3	TPA, RECPT, DT, 2-POS
10	61544	2	CONN, PLUG, DT, 2-POS
11	64611	2	TPA, PLUG, DT, 2-POS
12	67132	1	HARNES, BEACON DUMP DOOR
13	28694	6	TERM, PIN, 16-20GA, SZ16
14	28693	4	TERM, SOCKET, 16-20GA, SZ16

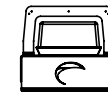
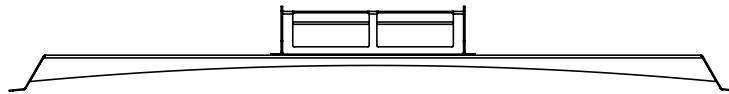
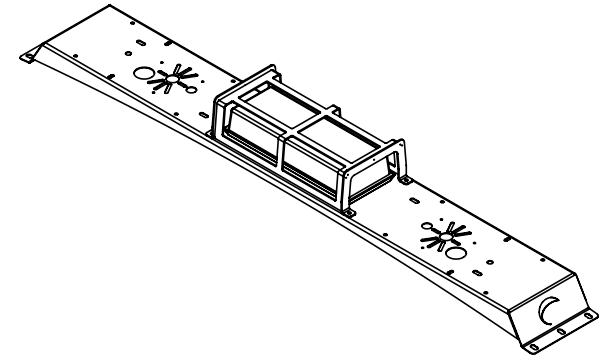
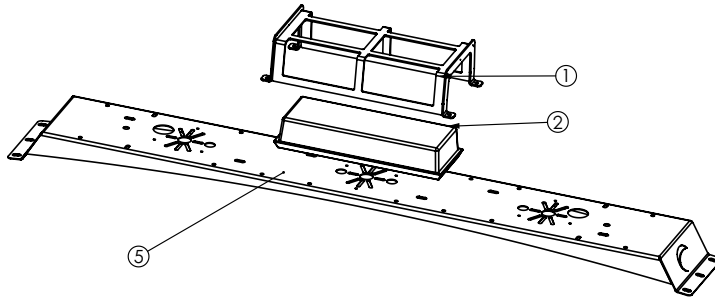




# Section 5 - Body

## 203Y82 - MINI BARLIGHT

ITEM NO.	PART NUMBER	QTY.	DESCRIPTION
1	524082	1	GUARD, MINI LED BARLIGHT
2	61523	1	MINI LED BARLIGHT
3	20139	3	CLAMP, .50" RUBBER LINED
4	20529-4	1	TUBING, 3/8 NYLON AIR, 10 FEET
5	5217990	1	BKT, WHELEN, 09 GMC CAB MNT



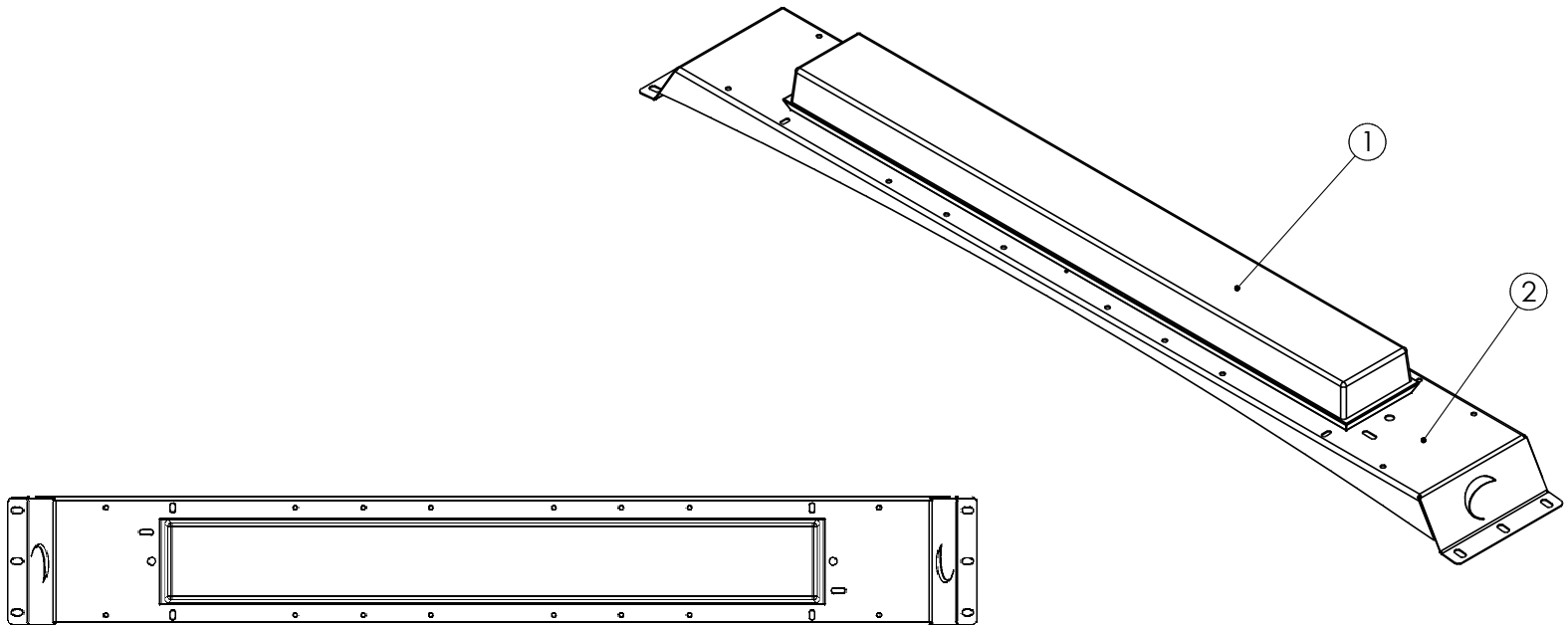
# Section 5 - Body

## 204B34 - BARLIGHT 56"

ITEM NO.	PART NUMBER	DESCRIPTION	QTY.
1	63214	BARLIGHT, JUSTICE LED 8 MODULE	1
2	5217990	BKT, WHELEN, 09 GMC CAB MNT	1

### ITEMS NOT SHOWN

ITEM NO.	PART NUMBER	DESCRIPTION	QTY.
3	26211	CLIP, WIRE .313" - .406"	1
4	20529-4	TUBING, 3/8 NYLON AIR, 10 FEET	1



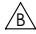
# Section 5 - Body

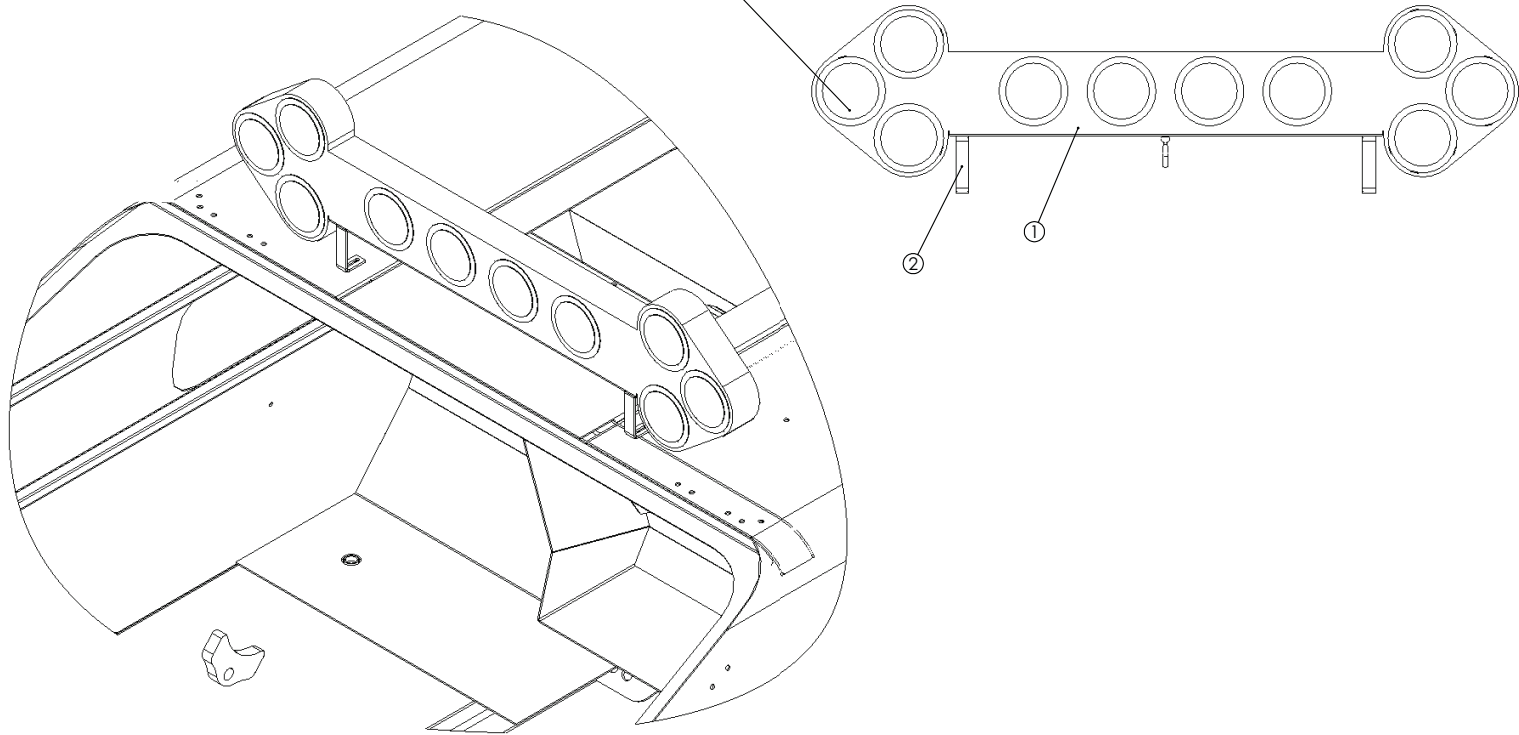
## 203817 - ARROWBOARD

ITEM NO.	PART NUMBER	QTY.	DESCRIPTION
1	23082	1	ARROW BOARD TRAFFIC GUIDE
2	5211129	2	BRACKET, ARROW BOARD

ITEMS BELOW NOT SHOWN IN DRAWING

3	21624	2 FT	WIRE, 12 GA - RED
4	21636	15 FT	WIRE, 18 GA - BLACK
5	21653	15 FT	WIRE, 18 GA - WHITE
6	23147	2 FT	WIRE, 12 GA - BLACK
7	21651	15 FT	WIRE, 18 GA - RED
8	21645	15 FT	WIRE, 18 GA - GREEN

 NOTE: ALL LIGHTS HAVE THREE DRAIN HOLES.  
MAKE SURE THEY ARE ORIENTED ON THE BOTTOM.



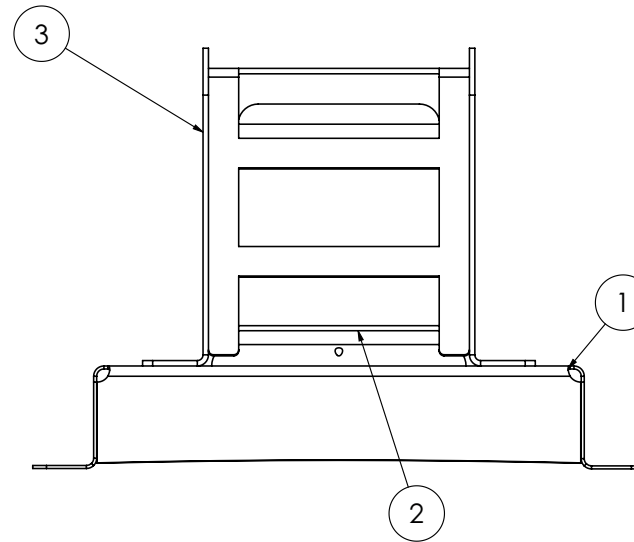
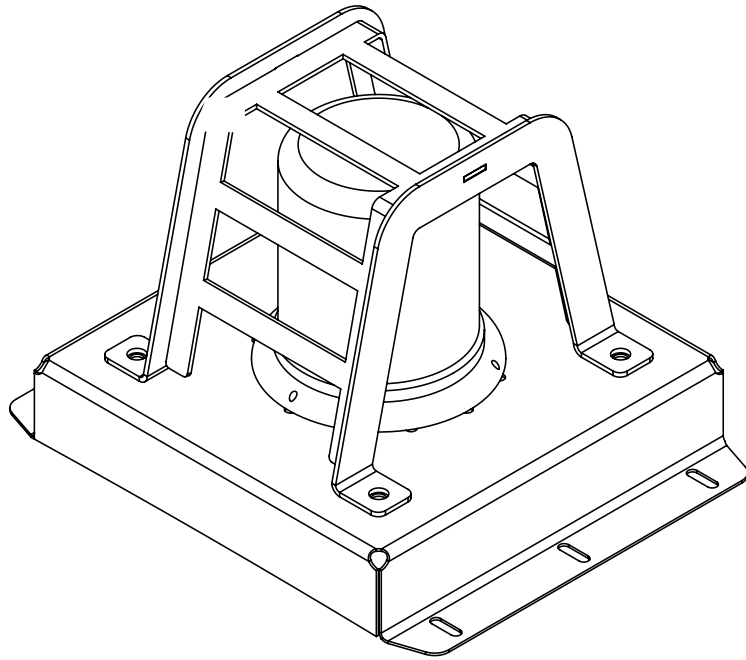
# Section 5 - Body

## 203Y95 - STROBE CAB

ITEM NO.	PART NUMBER	QTY.	DESCRIPTION
1	3000783	1	BEACON BRACKET, CAB MOUNT
2	61935	1	BEACON, LED, CLASS 1 AMBER
3	525716	1	LIMB GUARD, BEACON

ITEMS NOT SHOWN

ITEM NO.	PART NUMBER	QTY.	DESCRIPTION
4	20139	4	CLAMP, .50" RUBBER LINED
5	203429	1	CONSOLE KIT, STROBE/BEACN/BARL
6	21982	2	GROMMET, 5/16" RUBBER



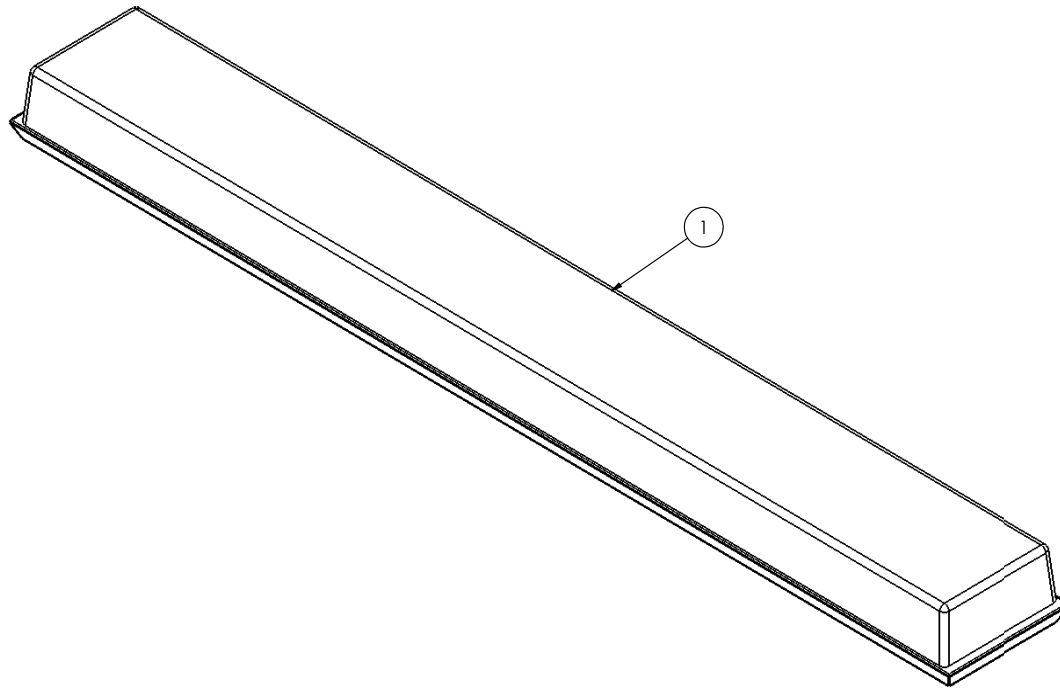
# Section 5 - Body

## 204T22 - BARLIGHT 56" CAB

ITEM NO.	PART NUMBER	QTY.	DESCRIPTION
1	63214	1	BARLIGHT, JUSTICE LED 8 MODULE

### ITEMS NOT SHOWN

ITEM NO.	PART NUMBER	QTY.	DESCRIPTION
2	26211	1	CLIP, WIRE .313" - .406"
3	203429	1	CONSOLE KIT, STROBE/BEACN/BARL
4	20529-4	1	TUBING, 3/8 NYLON AIR, 10 FEET
5	20149	3	CLAMP, 3/8" NYLON



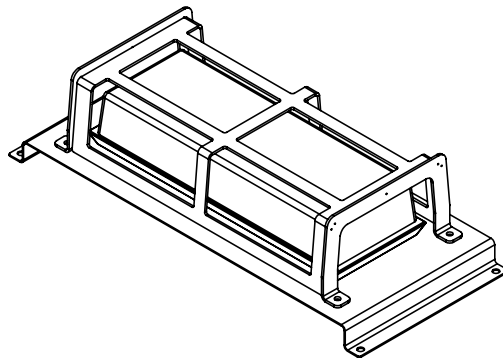
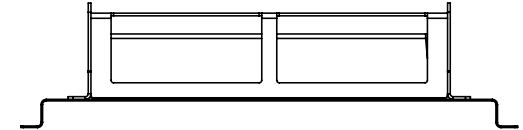
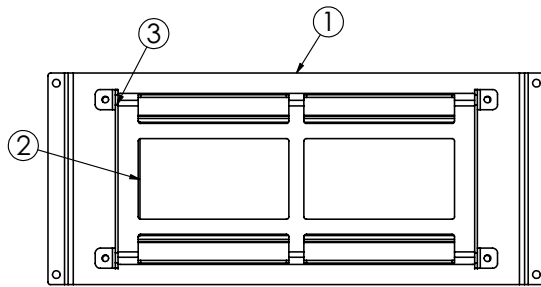
# Section 5 - Body

## 204B10 - MINI BARLIGHT

ITEM NO.	PART NUMBER	Default/QTY.	DESCRIPTION
1	5218155	1	BRACKET, MINI LED BARLIGHT
2	61523	1	MINI LED BARLIGHT
3	524082	1	GUARD, MINI LED BARLIGHT

ITEMS NOT SHOWN

ITEM NO.	PART NUMBER	Default/QTY.	DESCRIPTION
4	20139	3	CLAMP, .50" RUBBER LINED
5	20529-4	1	TUBING, 3/8 NYLON AIR, 10 FEET
6	203429	1	CONSOLE, STROBE/BEACN/BARLIGHT



## MISCELLANEOUS

ITEM	DESCRIPTION		
+204S40	KIT, LONG CHASSIS EXT, A4T	+204R91	TRUCK KIT, A4T, IH
+203451	MANUAL, SWEEPER, ADDITIONAL	+204M35	HAND HOSE COVER PLATE
+203448	AUX AIR FILTER REST IND IN CAB	+204M33	HPR DRAIN, COVER PLATE
+204R11	LEAK INSPECTION KIT	+203B80	INDICATOR, AF RSTCT, AUX ENG,
+523897	WELD,CHOCK,A4 & S-SER	+204U31	BLOCK HEAT, CUMMINS
+203432	INDICAT LGHT, LOW WATER LEVEL	+204P33	ASSY, BLOCK HEATER, YANMAR
+203U36	SAFETY DECAL KIT, A4	+203G77	WATER/FUEL SEPARATOR M6
+204Q97	HYD. LEVEL SWITCH	+204E40	DECAL KIT, A4 STORM
+204Q95	HYD. TEMP SENDER		
+204Q60	TRUCK KIT, A4T T4 ISUZU		
+204N46	DRAG ARM		
+204Q08	TRUCK KIT, M2 106, A4		
+204D46	DRAG LINK, ADJ'LE		
+203V24	MIRROR, REMOTE HEATED, A4 GMC		
+203X82	CAMERA SYSTEM, HD, DUAL		
+203Z99	CAMERA SYSTEM, HD, 3		
+203442	TIRE & RIM, SPARE 17,950 GVW		
+203964	SEAT, ADJUSTABLE, RHS		
+204R82	DUAL, STEER, ISUZU		
+203439	CHASSIS, AIR FILT REST, IN CAB		
+203X81	CAMERA SYSTEM, HD, SINGLE		
+204S24	KIT, FUEL SYSTEM 109 A4T		
+204S26	HEAT SHIELD, A4T GAS		
+204W06	NPR, STABALIZER, A4T		
+204G37	GAS FUEL SYSTEM 348I		
+204R99	FUEL SENDER, SYSTEM, S348I		
+204S64	HEAT SHIELD,DIESEL ISUZU		
+520941	BROOM TURNBUCKLE MANUAL TILT		
+203B67	G/B, POLY SEGMENTS 20"		
+203227	G/B, STEEL SEGMENTS 20"		
+204C67	LIGHT KIT, 24V, A4		
+203V45	FLOOD LIGHT KIT, LED		

# Power Module

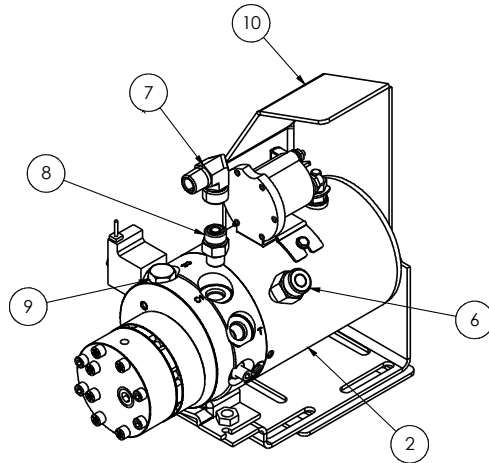
---

6

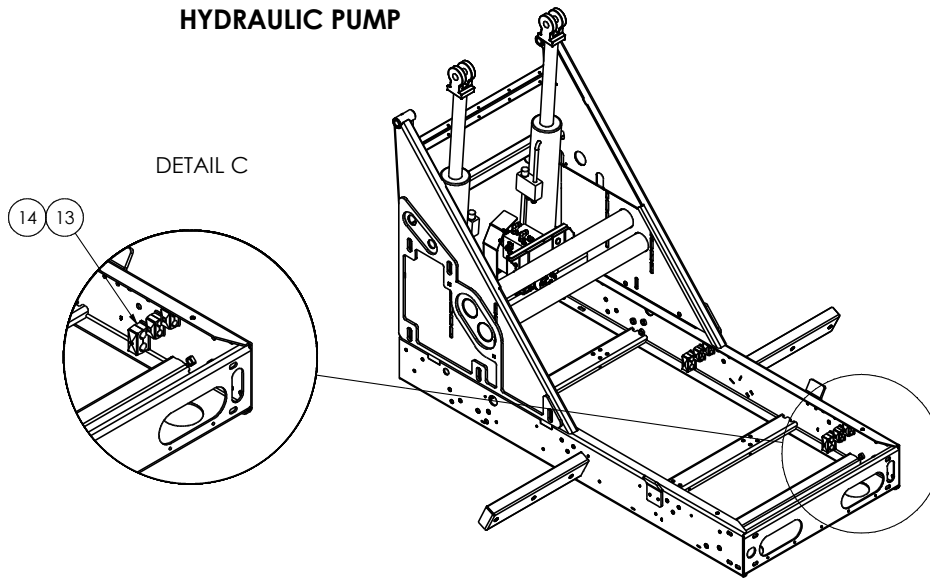


# Section 6 - Power Module

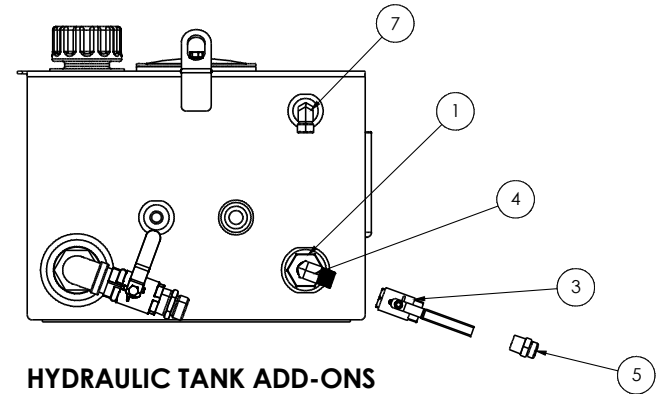
## 204M58 - HYDRAULIC PUMP



**HYDRAULIC PUMP**



**DETAIL C**



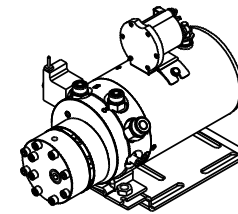
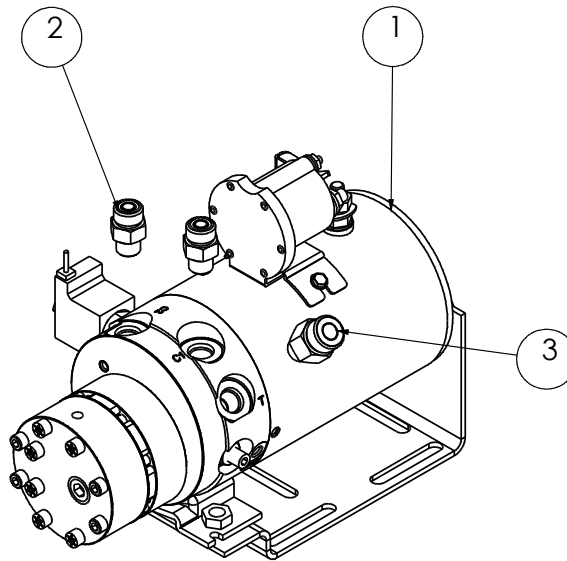
**HYDRAULIC TANK ADD-ONS**

ITEM NO.	PART NUMBER	QTY.	DESCRIPTION
1	26813	1	NO BYPASS SUCTION STRAINER
2	24089	1	12V DC HYD PUMP
3	27027	1	1/2" FEMALE BALL VALVE
4	20965	1	1/2 NPT MALE PIPE 90
5	64078	1	ADAPTER, 1/2 MORFS X 1/2 MNPT
6	61374	1	ADAPTER, 1/2" MORFS X 3/8" MOR
7	66094	2	ELBOW, 90, 3/8 MORF, 3/8 MPT
8	61019	1	3/8" MORFS X 3/8" MORB
9	20469	1	PLUG, 3/8 SAE HEX
10	5222735	1	COVER, DC PUMP CABLES
11	525438	1	CABLE, BATTERY, NEG, 126 INCH
12	525439	1	CABLE, BATTERY, POS, 129 INCH
13	29469	2	CLAMP, TWIN TUBE, 3/4 PAIR
14	29470	2	CLAMP COVER PLATE, 3/4"
15	525674	1	HOSE, DC PUMP TO HOSE END "D" (PRESSURE)
16	525675	1	HOSE, DC PUMP TO HOSE END "E" (SUPPLY)
17	525679	1	HOSE, MAIN MANIFOLD PORT P2/P3 TO HOSE END "D" (PRESSURE)
18	525680	1	HOSE, TANK TO HOSE END "E" (SUPPLY)

## Section 6 - Power Module

### 24089 - 12V DC AUX. PUMP

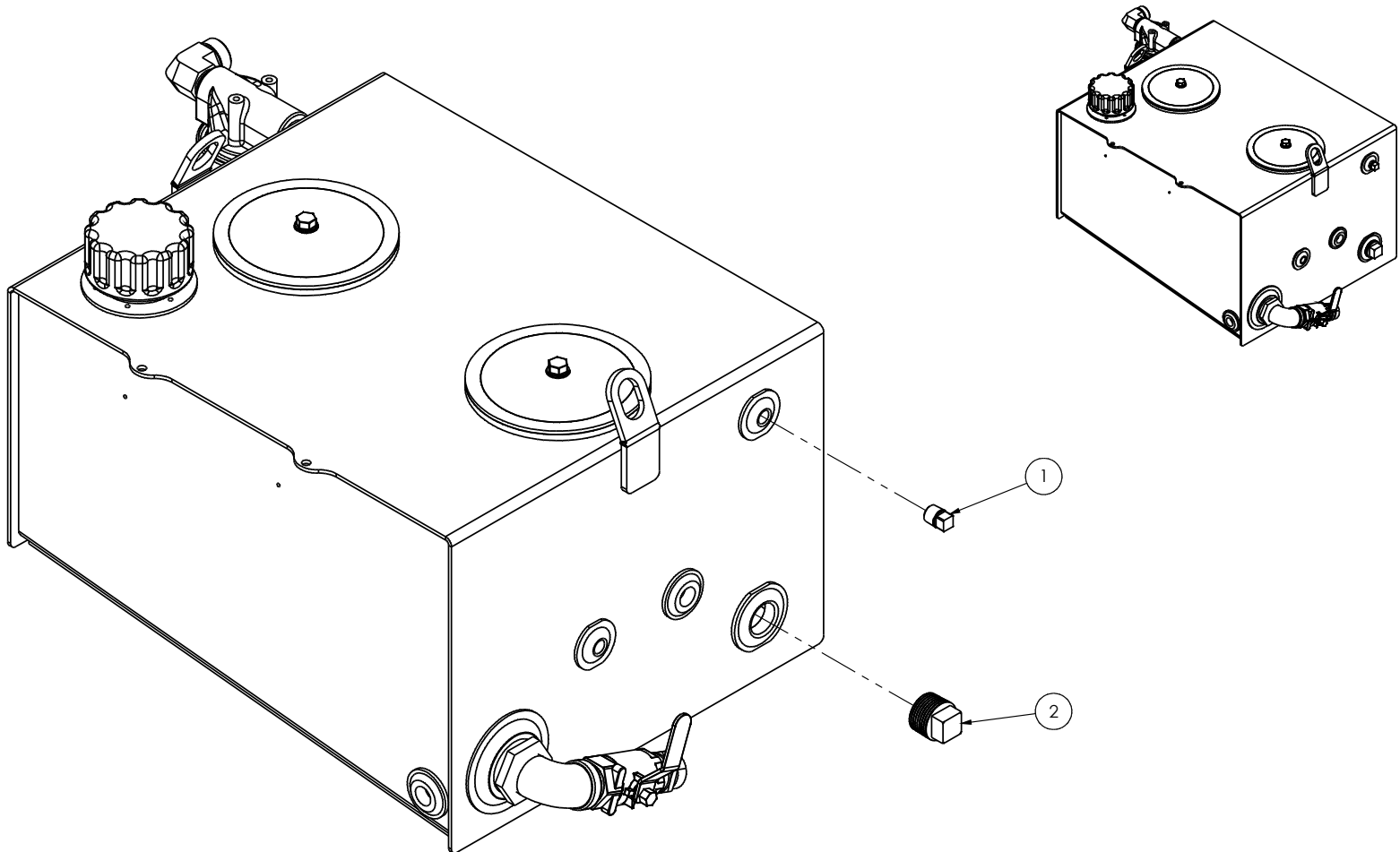
ITEM NO.	PART NUMBER	DESCRIPTION	QTY.
1	24089	12V DC HYD PUMP	1
2	61019	3/8" MORFS X 3/8" MORB	2
3	61374	ADAPTER, 1/2" MORFS X 3/8" MOR	1



# Section 6 - Power Module

## 204Q99 - AUX PUMP PLUGS

ITEM NO.	PART NUMBER	QTY.	DESCRIPTION
1	20240	1	3/8 NPT SHP PLUG
2	20659	1	1" PIPE PLUG



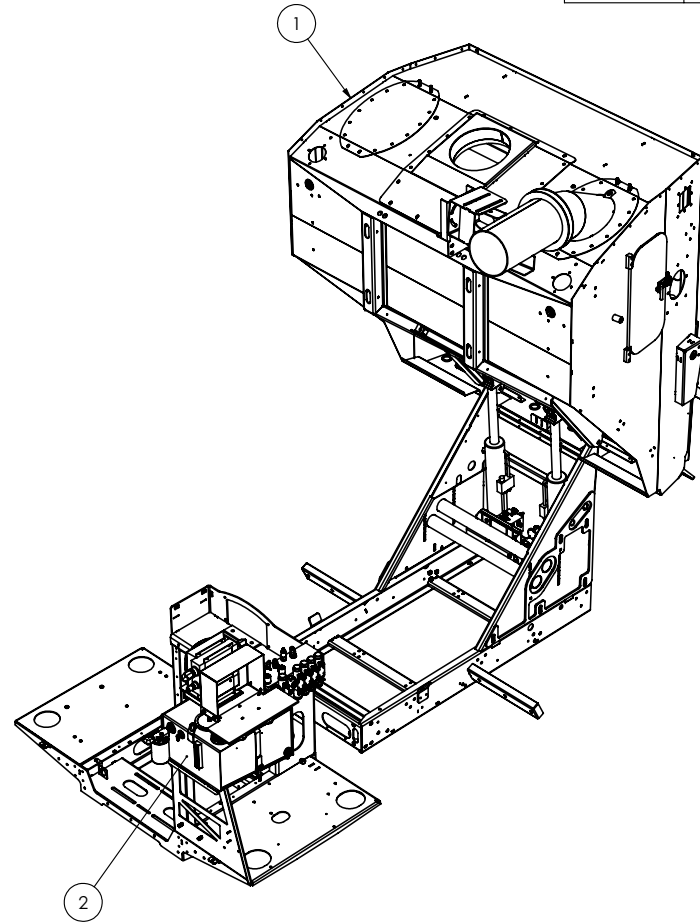
# Section 6 - Power Module

## 204R18 - HYDRAULIC SYSTEM

ITEM NO.	PART NUMBER	QTY.	DESCRIPTION
1	204P24	1	DUMP KIT, SINGLE MAN,A4T,S350T
2	204Q75	1	HYD SYS, SPLY & RTRN,A4T/S350T

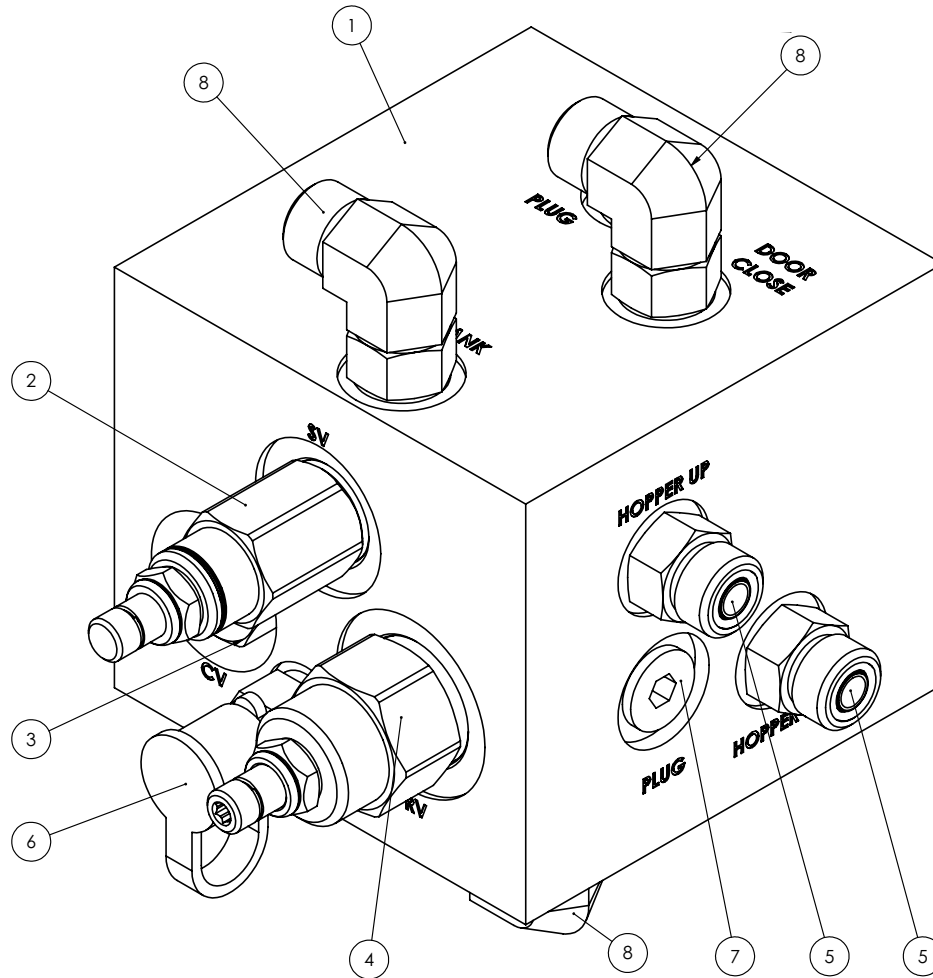
### ITEMS BELOW NOT SHOWN

ITEM NO.	PART NUMBER	QTY.	DESCRIPTION
3	204M44	1	HYD SYS, SWEEPER HEAD A4T
4	27366	5 FT	1.25" HOSE FLEXGUARD



# Section 6 - Power Module

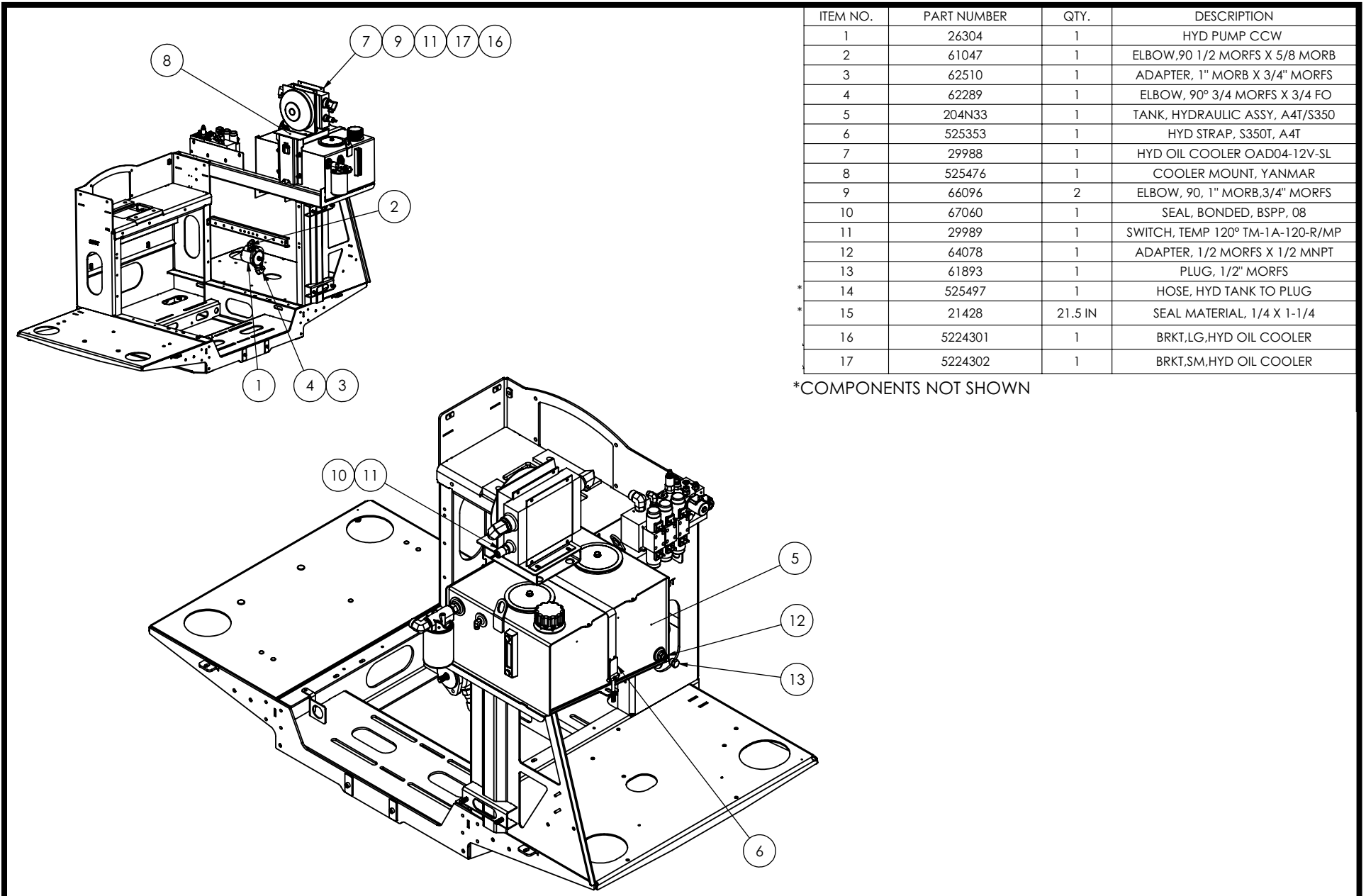
## 66469 - DUMP MANIFOLD



ITEM NO.	QTY.	PART NUMBER	DESCRIPTION
1	1	5222536	MANIFOLD, DUMP A4T/S350T
2	1	66396	SUN SCCA-LAN
3	1	65969	VALVE, CHECK, SUN, CXDA-XAN
4	1	65960	PO PR VALVE - PBFBCAN
5	4	61019	3/8" MORFS X 3/8" MORB
6	1	23653	TEST NIPPLE, #4 SAE ORB
7	2	27163	3\8" SAE PLUG HEX
8	4	61027	ELBOW, 90 3/8 MORFS X 3/8 MORB
9	1	66701	3/8" MORFS X 3/8" MORB,ORIFICE

# Section 6 - Power Module

## 204Q75 - HYD SYS, SPLY & RTRN

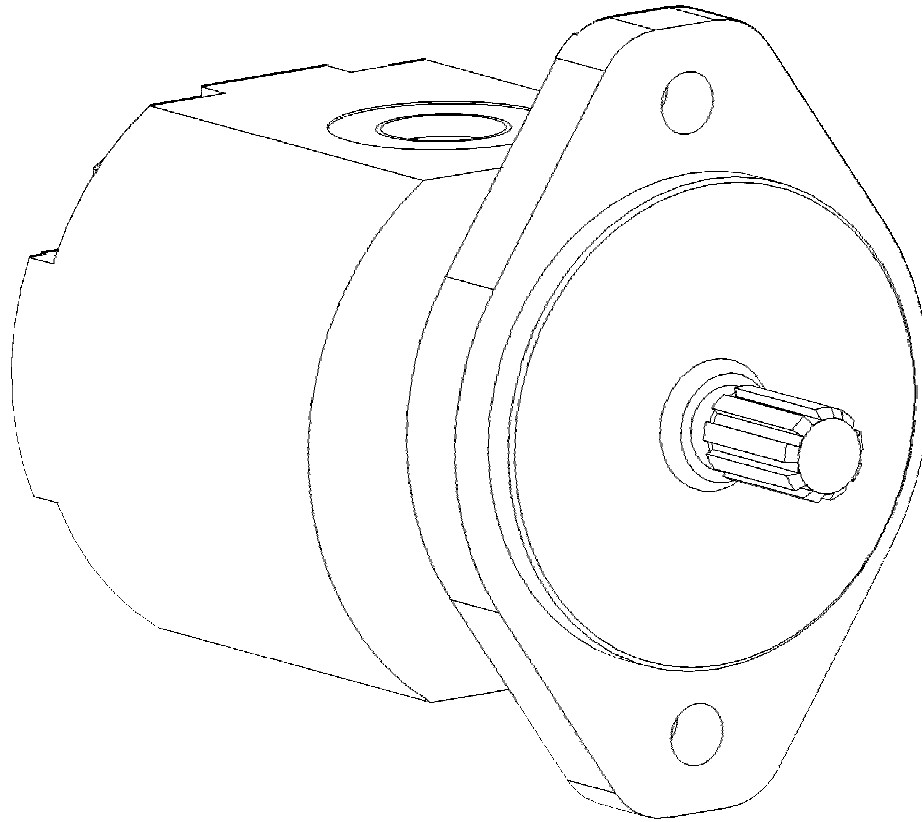


ITEM NO.	PART NUMBER	QTY.	DESCRIPTION
1	26304	1	HYD PUMP CCW
2	61047	1	ELBOW,90 1/2 MORFS X 5/8 MORB
3	62510	1	ADAPTER, 1" MORB X 3/4" MORFS
4	62289	1	ELBOW, 90° 3/4 MORFS X 3/4 FO
5	204N33	1	TANK, HYDRAULIC ASSY, A4T/S350
6	525353	1	HYD STRAP, S350T, A4T
7	29988	1	HYD OIL COOLER OAD04-12V-SL
8	525476	1	COOLER MOUNT, YANMAR
9	66096	2	ELBOW, 90, 1" MORB,3/4" MORFS
10	67060	1	SEAL, BONDED, BSPP, 08
11	29989	1	SWITCH, TEMP 120° TM-1A-120-R/MP
12	64078	1	ADAPTER, 1/2 MORFS X 1/2 MNPT
13	61893	1	PLUG, 1/2" MORFS
* 14	525497	1	HOSE, HYD TANK TO PLUG
* 15	21428	21.5 IN	SEAL MATERIAL, 1/4 X 1-1/4
16	5224301	1	BRKT,LG,HYD OIL COOLER
17	5224302	1	BRKT,SM,HYD OIL COOLER

\*COMPONENTS NOT SHOWN

## Section 6 - Power Module

### 26304 - MAIN HYD. PUMP, SINGLE SECTION GEAR

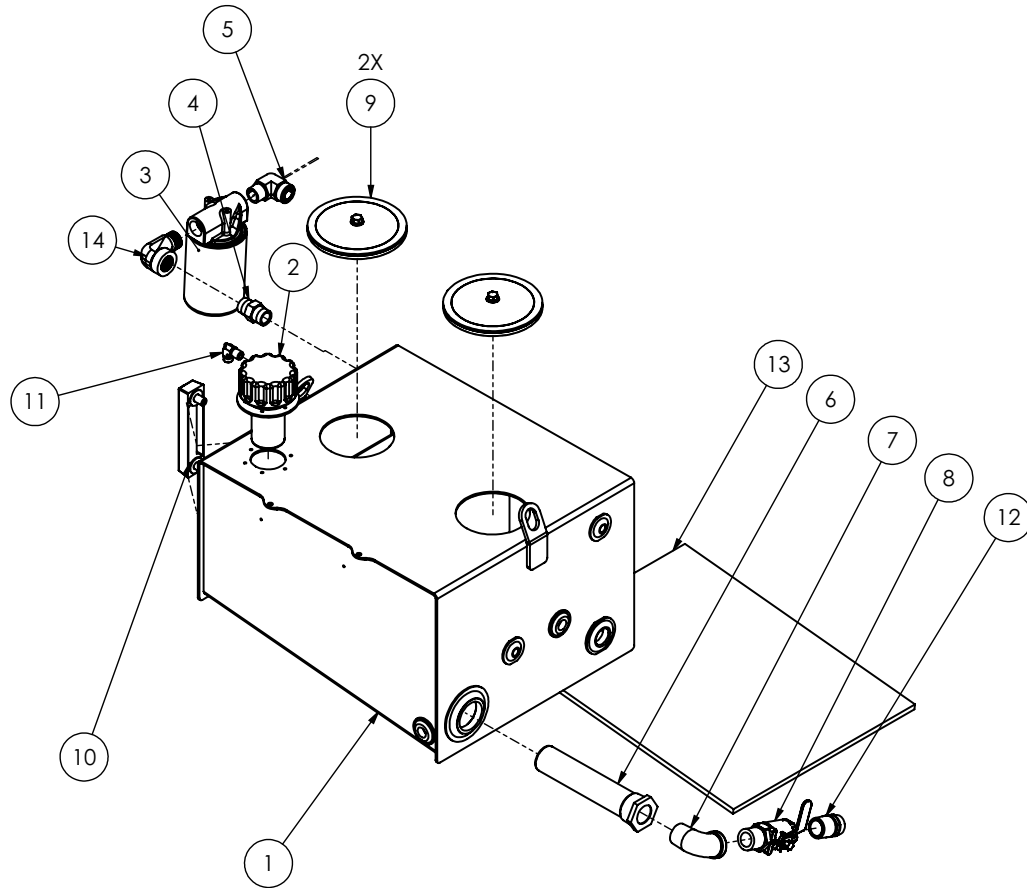


FOR REFERENCE ONLY.

Actual pump may differ

# Section 6 - Power Module

## 204N33 - HYDRAULIC TANK



ITEM NO.	PART NUMBER	DESCRIPTION	QTY.
1	525349	TANK, HYDRAULIC, A4T/S350T	1
2	20390	FILLER\BREATHER CAP	1
3	21683	HEAD & FILTER ASSY HYDRAULIC	1
4	26859	NIPPLE,HEX 3/4 MNPT	1
5	61297	ELBOW 90% 3/4 MORFS X 3/4 MPT	1
6	20391	SUCTION STRAINER	1
7	26817	STREET ELBOW, 1.0NPT X 90DEG	1
8	27029	1.0 BALL VALVE, BRASS	1
9	61494	COVER, TANK CLEAN-OUT	2
10	20110	SIGHT GAUGE	1
11	65766	ELBOW, 90° 1/4 MORFS X 1/4 NP	1
12	66100	ADAPTER, 1" MPT, 3/4" MORF	1
13	66292	PAD, HYD TANK, 350T,A4T	1
14	20254	ELBOW, 3/4 STREET	1



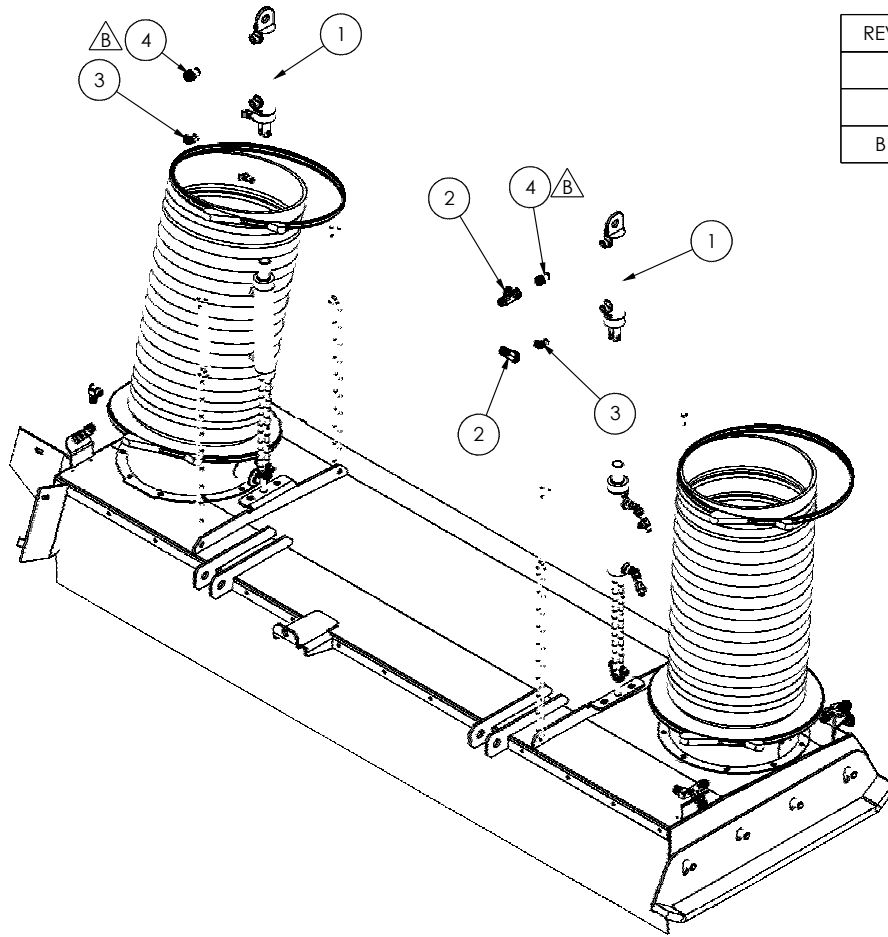
# Section 6 - Power Module

## 204M44 - HYD SYS, SWEEP HEAD

REV	ITEM NO.	PART NUMBER	QTY.	DESCRIPTION
	1	20928	2	CYLINDER, 1.5 X 6.5
	2	61691	2	TEE, 3/8" FORFS X MORFS X MORF
B	3	66102	2	ELBOW, 1/4 NPT X 1/4 MORFS
B	4	65632	2	ADAPTER, 3/8 MORFS X 1/4 NPT

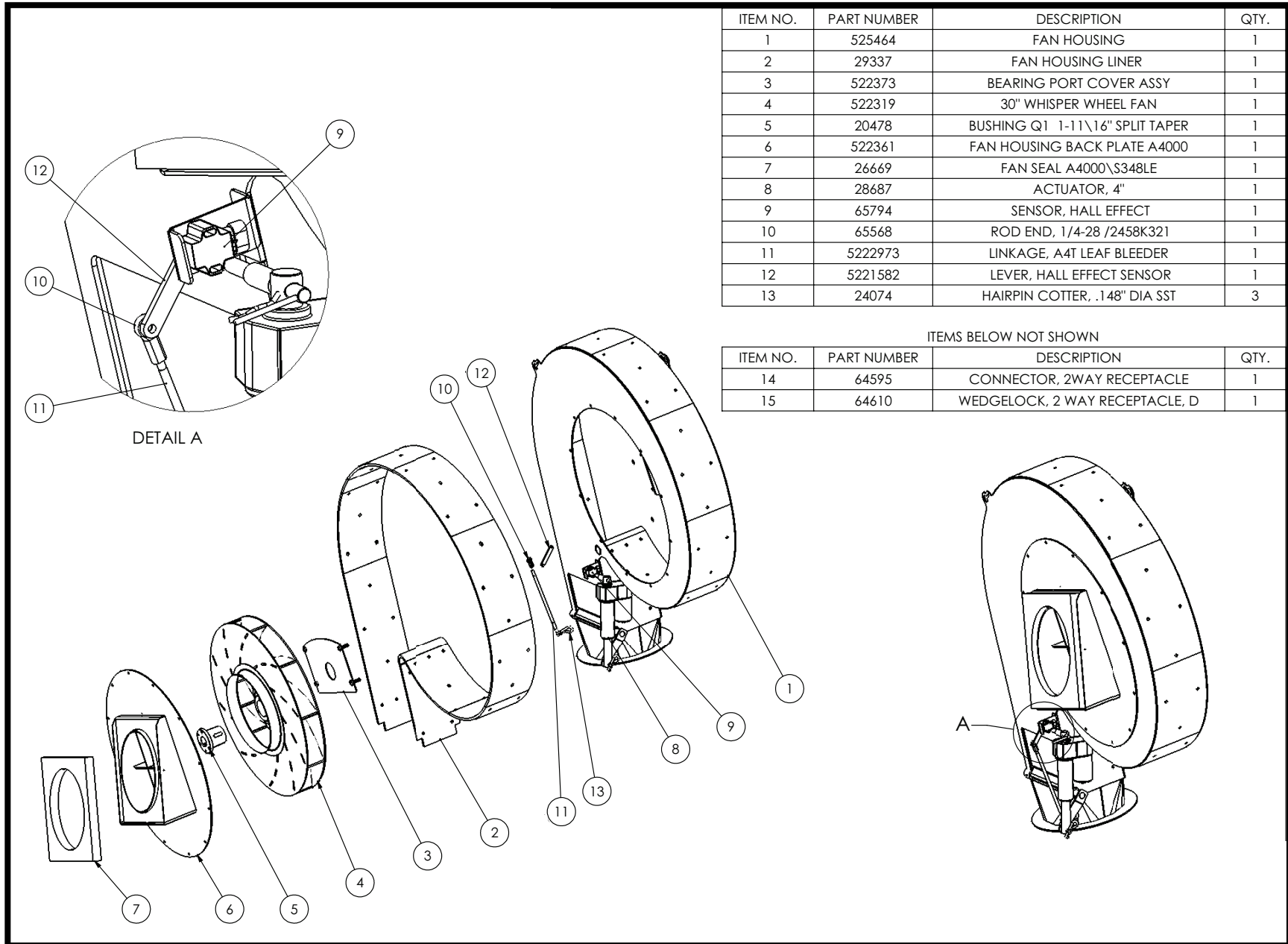
### ITEMS BELOW NOT SHOWN ON DRAWING

REV	ITEM NO.	PART NUMBER	QTY.	DESCRIPTION
	5	525254	47 IN	LH CYL BUT END-RH CYL BUT END
	6	525255	52 IN	LH CYL ROD END-RH CYL ROD END
B	7	525253	57 IN	MANIFOLD TO LEFT CYL TEE



# Section 6 - Power Module

## 204Q01 - FAN HOUSING



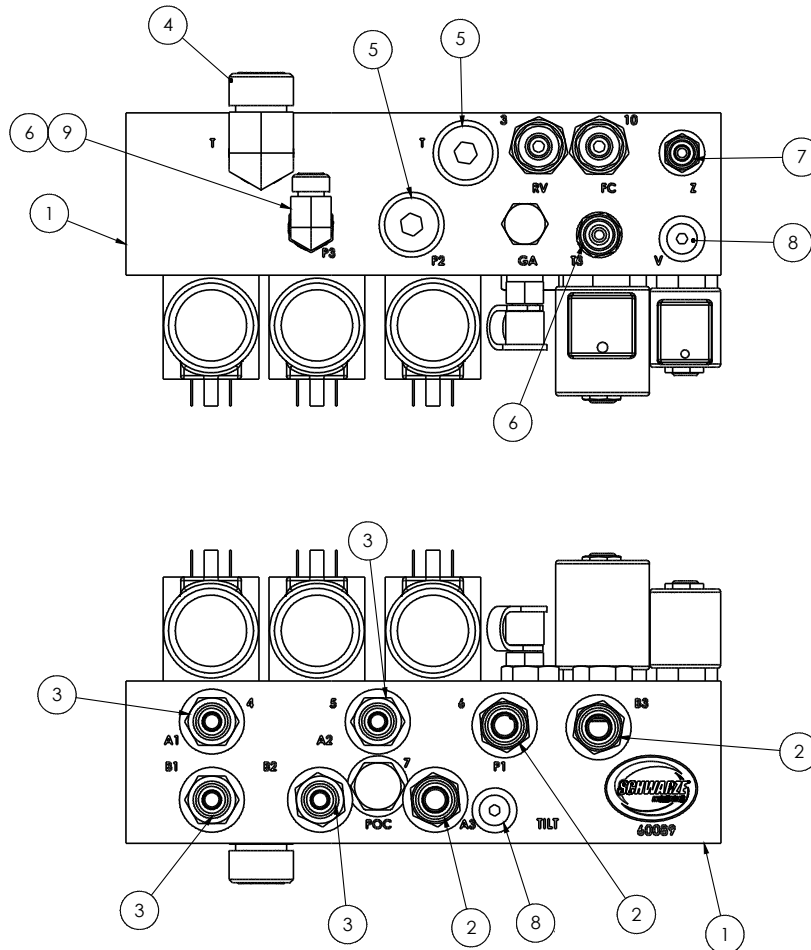
ITEM NO.	PART NUMBER	DESCRIPTION	QTY.
1	525464	FAN HOUSING	1
2	29337	FAN HOUSING LINER	1
3	522373	BEARING PORT COVER ASSY	1
4	522319	30" WHISPER WHEEL FAN	1
5	20478	BUSHING Q1 1-11\16" SPLIT TAPER	1
6	522361	FAN HOUSING BACK PLATE A4000	1
7	26669	FAN SEAL A4000\S348LE	1
8	28687	ACTUATOR, 4"	1
9	65794	SENSOR, HALL EFFECT	1
10	65568	ROD END, 1/4-28 /2458K321	1
11	5222973	LINKAGE, A4T LEAF BLEEDER	1
12	5221582	LEVER, HALL EFFECT SENSOR	1
13	24074	HAIRPIN COTTER, .148" DIA SST	3

ITEMS BELOW NOT SHOWN

ITEM NO.	PART NUMBER	DESCRIPTION	QTY.
14	64595	CONNECTOR, 2WAY RECEPTACLE	1
15	64610	WEDGELOCK, 2 WAY RECEPTACLE, D	1

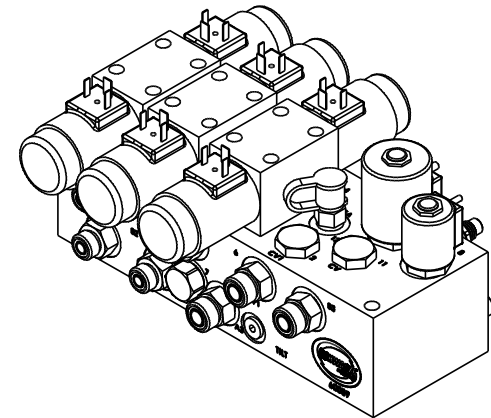
# Section 6 - Power Module

## 204P15 - MANIFOLD, SINGLE BROOM



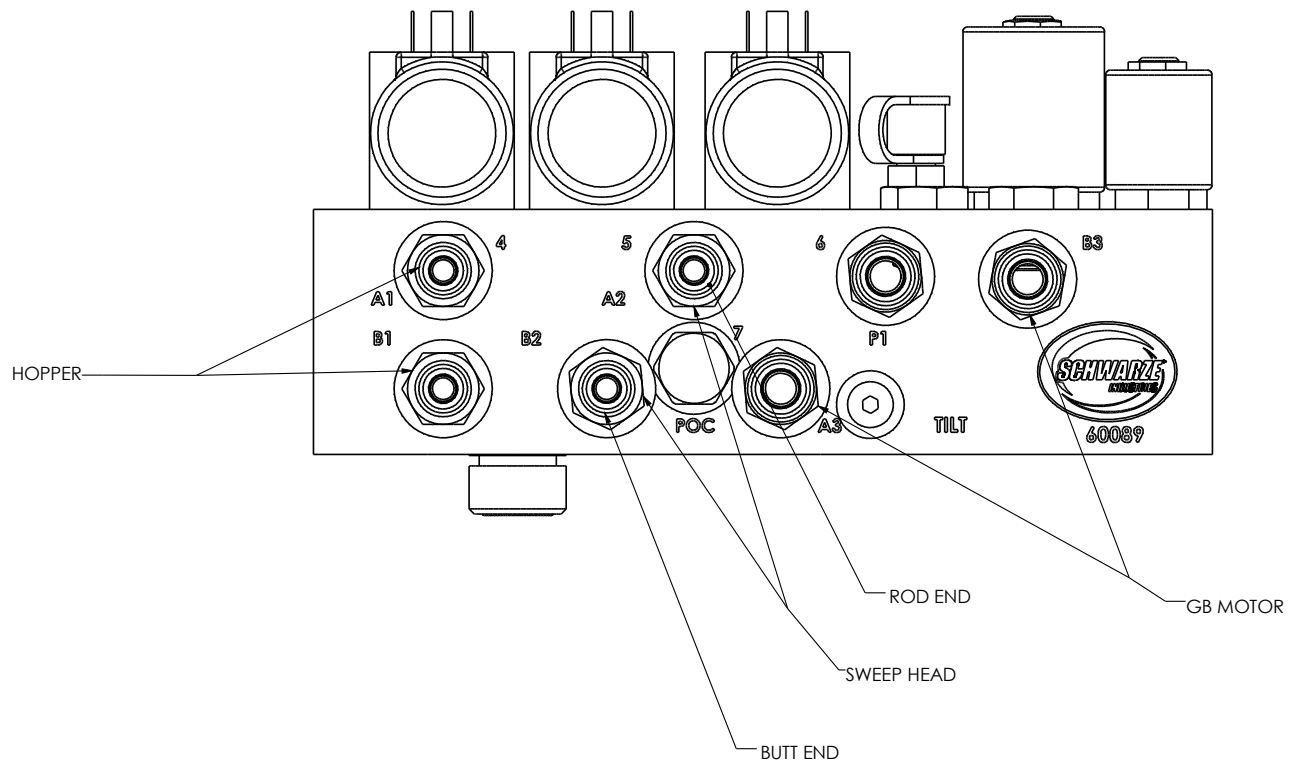
ITEM NO.	PART NUMBER	DESCRIPTION	QTY.
1	60089	DO2 MANF W/G/B CIR.	1
2	61014	1/2" MORFS X 1/2" MORB	3
3	61043	3/8" MORFS X 1/2" MORB	4
4	62110	ELBOW, 5/8" MORB X 3/4" MORFS 90	1
5	27180	5/8 SAE HOLLOW HEX PLUG	2
6	61373	ADAPTER, 3/8 MORFS X 1/4 MORB	2
7	61030	1/4" MORFS X 1/4" MORB	1
8	23981	#4 SAE HEX HEAD PLUG	2
9	61042	ELBOW, 90 3/8 FORFS X 3/8 MORFS	1
* 10	525405	HOSE, T3 MANIFOLD TO TANK	1
* 11	525406	HOSE, PUMP TO HYD TANK	1
* 12	525250	HOSE, COOLER TO TANK	1
* 13	525408	HOSE, COOLER TO MANIFOLD	1
* 14	525409	HOSE, PUMP TO MANIFOLD	1
* 15	525421	HOSE, V PORT MANIFOLD TO LIFT CYL	1

\* DENOTES PARTS NOT SHOWN



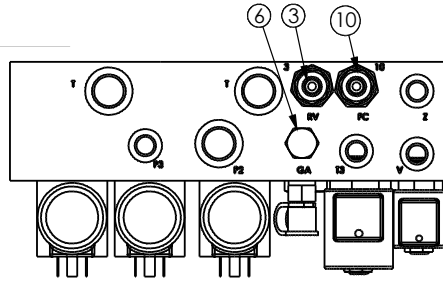
# Section 6 - Power Module

## 204P15 - MANIFOLD, SINGLE BROOM

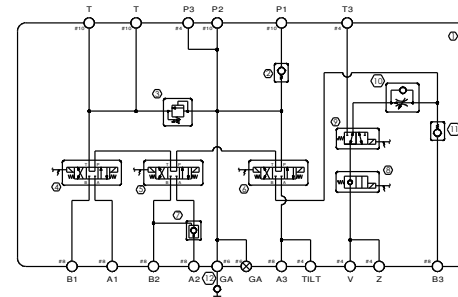
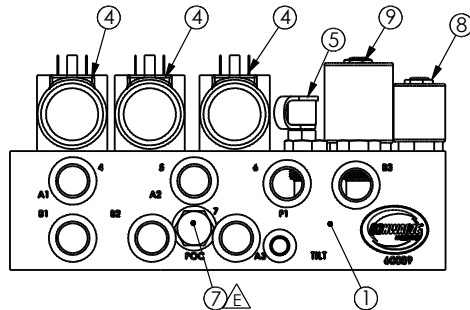
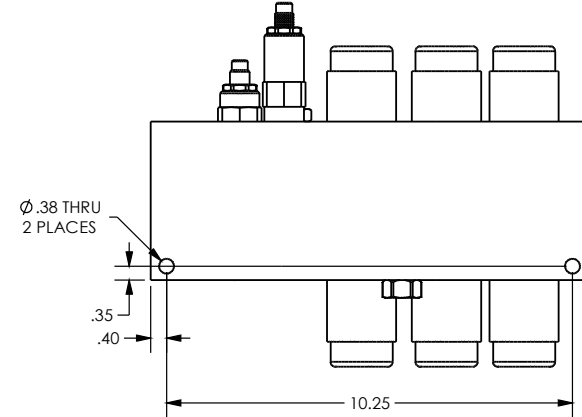
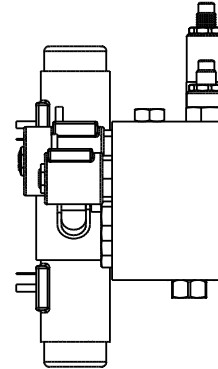
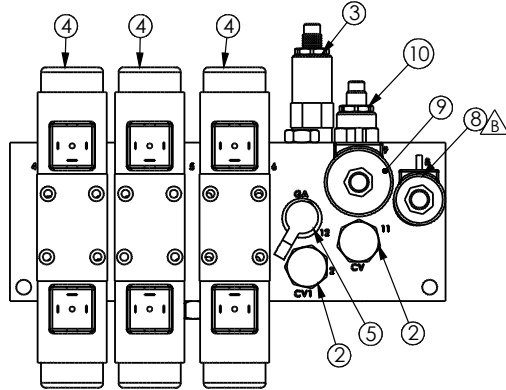
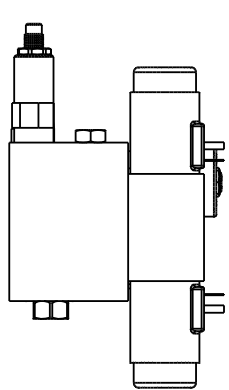


# Section 6 - Power Module

## 60089 - MANIFOLD, DO2 W/G/B CIR.



ITEM NO.	SCHEMATIC NO.	MANIFOLD MARKING	PART NUMBER	DESCRIPTION	QTY.
1	1	60089	60774	Do3 MANIF W/G-B CIRCUIT, MANIF-ONLY	1
2	2,11	CV1,CV	23962	VALVE, CV-10-20-O-N-30	2
3	3	RV	23924	VALVE, RV10-22-A-O-N-35/25	1
4	4,5,6	4,5,6	61978	DO3 VALVE, 4WE6G6X/EG12N9K4	3
5	12	12	23653	TEST NIPPLE, #4 SAE ORB	1
6	-	GA	20469	PLUG, 3/8 SAE HEX	1
7	7	POV	62058	PO CHECK, CKCB-XCN	1
8	8	8	23965	VALVE, SV08-22-N-12DB	1
9	9	9	23964	VALVE, SV10-34-N-12DB	1
10	10	FC	23963	VALVE, FC10-20A-O-N	1

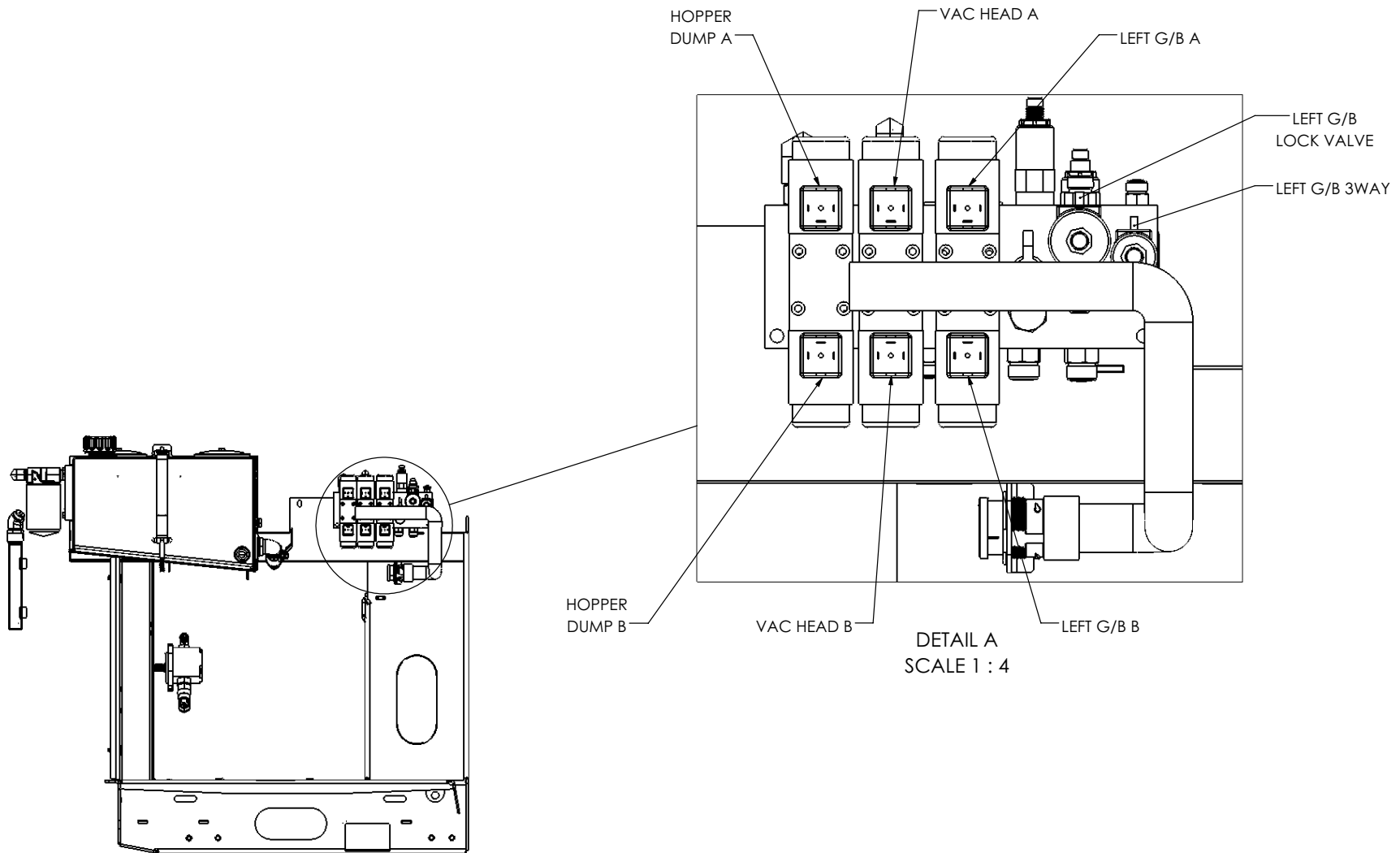


NOTES:  
2800 PSI MAXIMUM PRESSURE  
15 GPM MAXIMUM FLOW

# Section 6 - Power Module

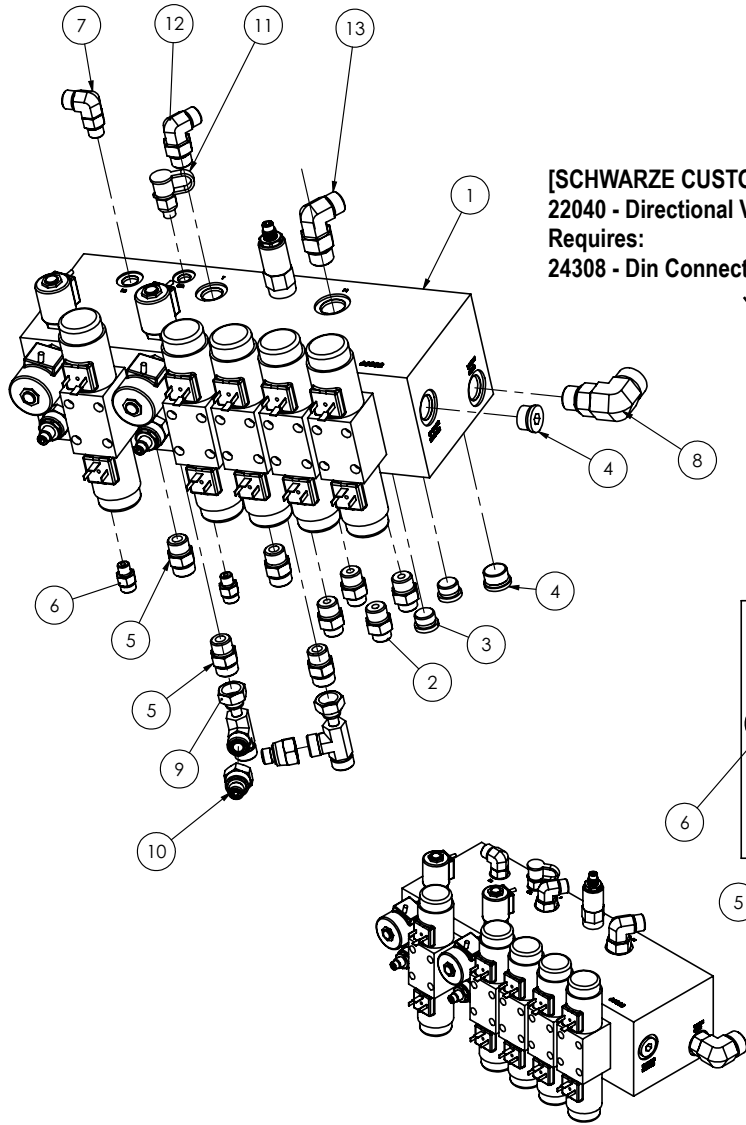
## 204Q26 - MANIFOLD, HYD, SINGLE BROOM

ITEM NO.	PART NUMBER	DESCRIPTION	QTY.
1	66375	HARNESS, HYD MAN, SINGLE G/B	1



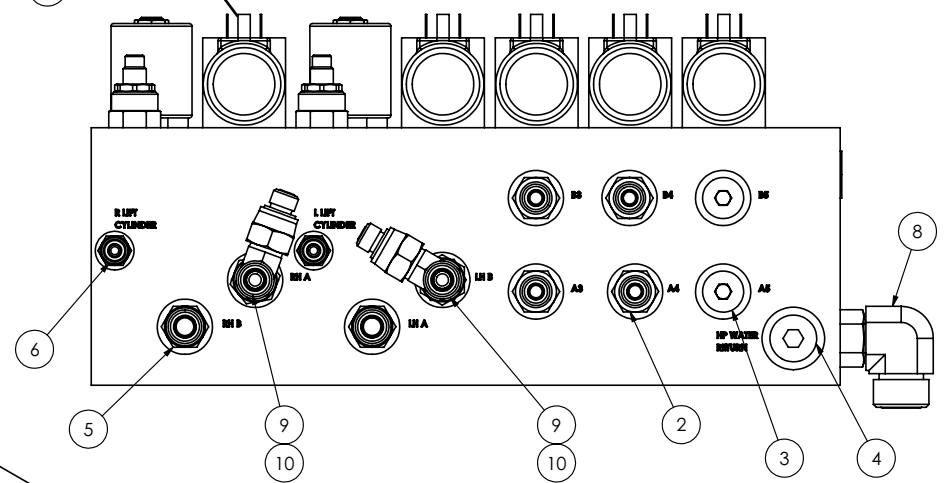
# Section 6 - Power Module

## 204N74 - MANIFOLD, DUAL BROOM



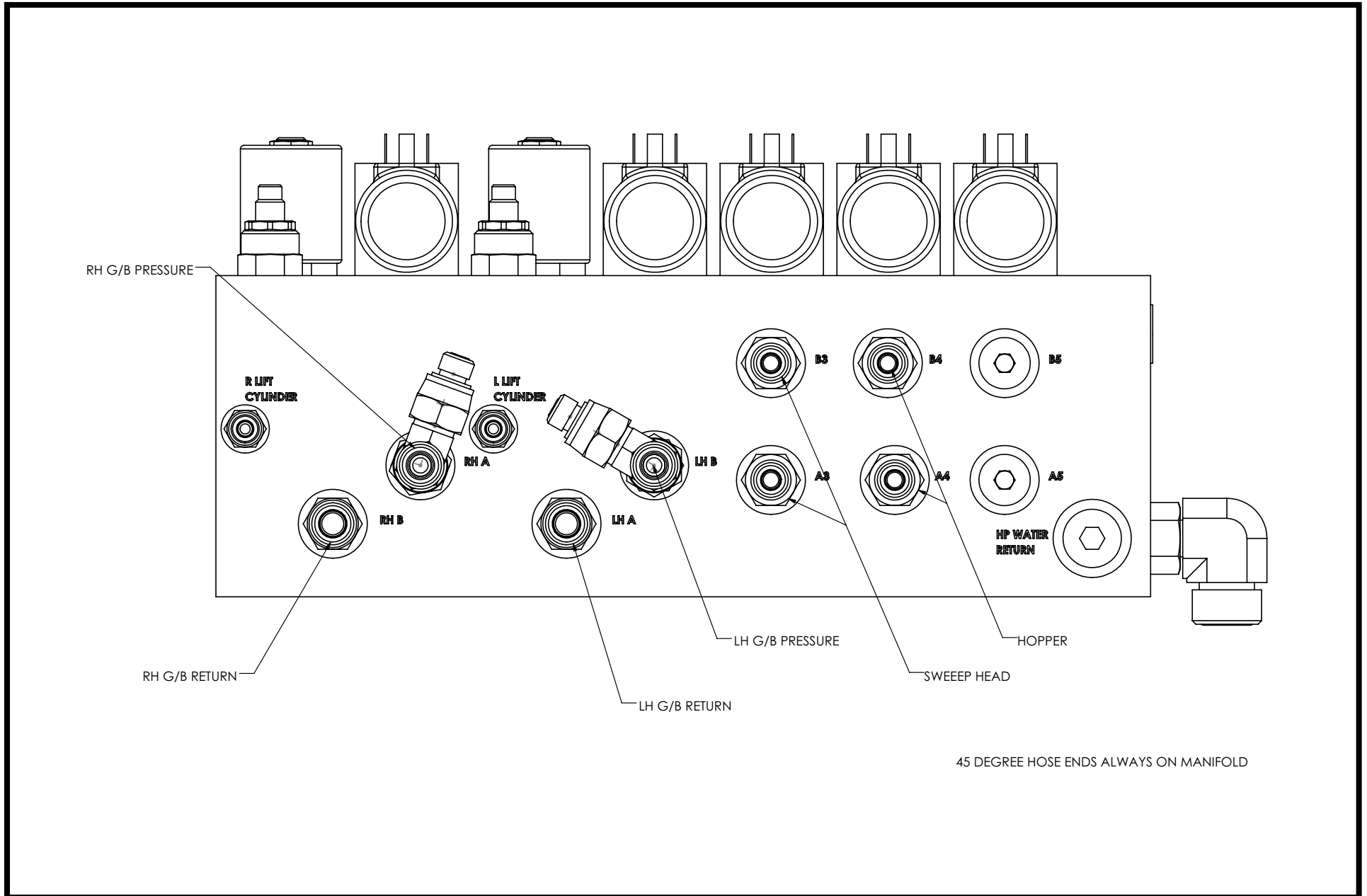
**[SCHWARZE CUSTOMER SERVICE NOTE]**  
**22040 - Directional Valve**  
**Requires:**  
**24308 - Din Connector - 2 each**

ITEM NO.	PART NUMBER	DESCRIPTION	QTY.
1	66082	MANIFOLD, DUAL GB, SINGLE PUMP	1
2	61043	3/8" MORFS X 1/2" MORB	4
3	24111	PLUG, 1/2" SAE HOLLOW HEX	2
4	27180	#10 SAE HEX HEAD PLUG	2
5	61014	1/2" MORFS X 1/2" MORB	4
6	61030	1/4" MORFS X 1/4" MORB	2
7	61027	ELBOW, 90 3/8 MORFS X 3/8 MORB	1
8	62110	ELBOW, 5/8" MORB X 3/4" MORFS 90	1
9	61021	1/2" TEE MORFS X FORFS X MORF	2
10	61051	ADAPTER, 1/2 FORFS X 1/4 MORFS	2
11	23653	TEST NIPPLE, #4 SAE ORB	1
12	61687	ELBOW 3/8" MORFS 90 X 1/2" MOR	1
13	61047	ELBOW, 90 1/2 MORFS X 5/8 MORB	1
14	525249	HOSE, PUMP TO HYD TANK	1
15	525250	HOSE, COOLER TO TANK	1
16	525251	HOSE, COOLER TO MANIFOLD	1
17	525252	HOSE, PUMP TO MANIFOLD	1
18	525415	HOSE, MANIFOLD T PORT TO TANK	1
19	525382	HOSE, LH GB LIFT CYL	1



# Section 6 - Power Module

## 204N74 - MANIFOLD, DUAL BROOM

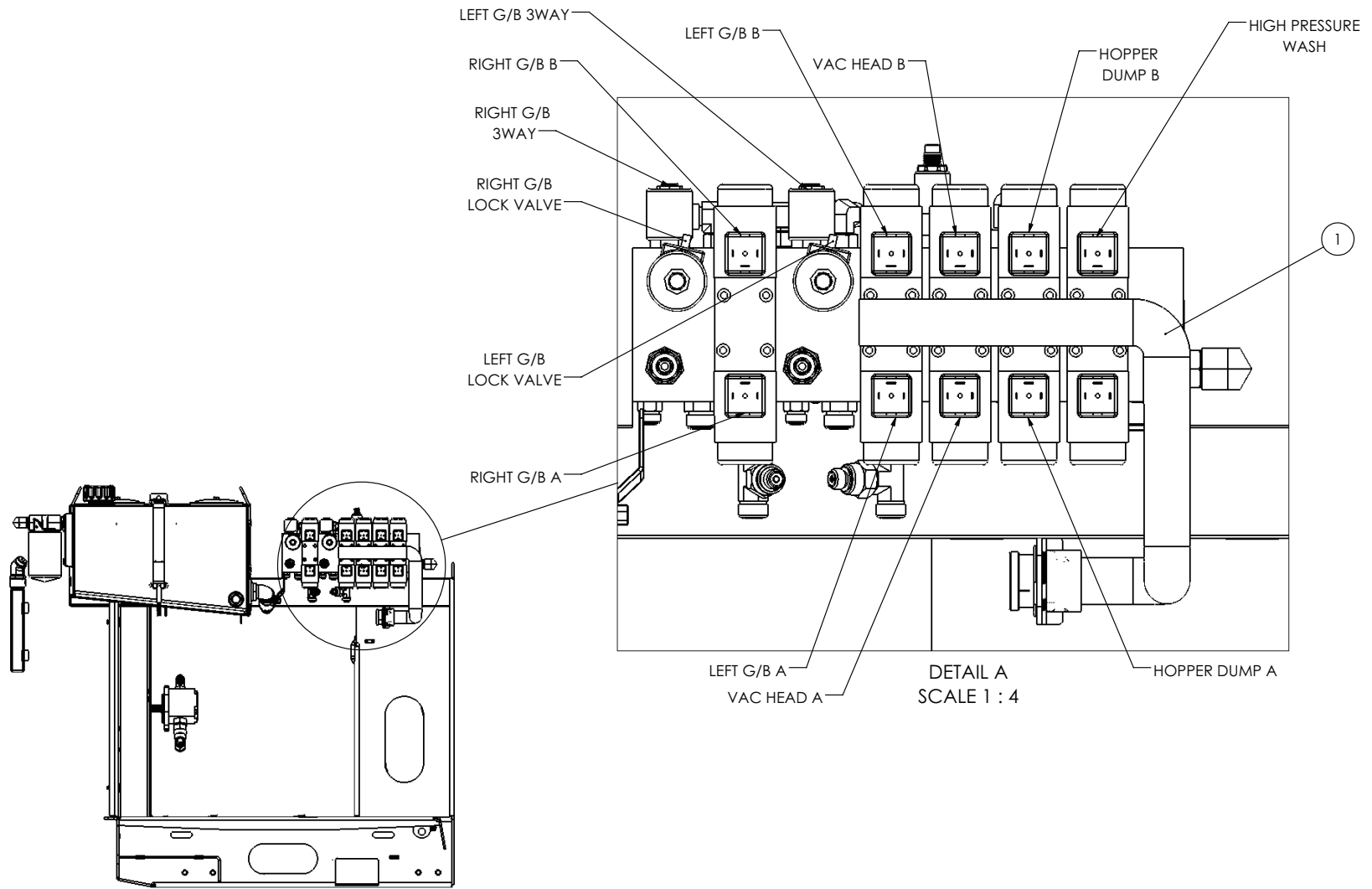




# Section 6 - Power Module

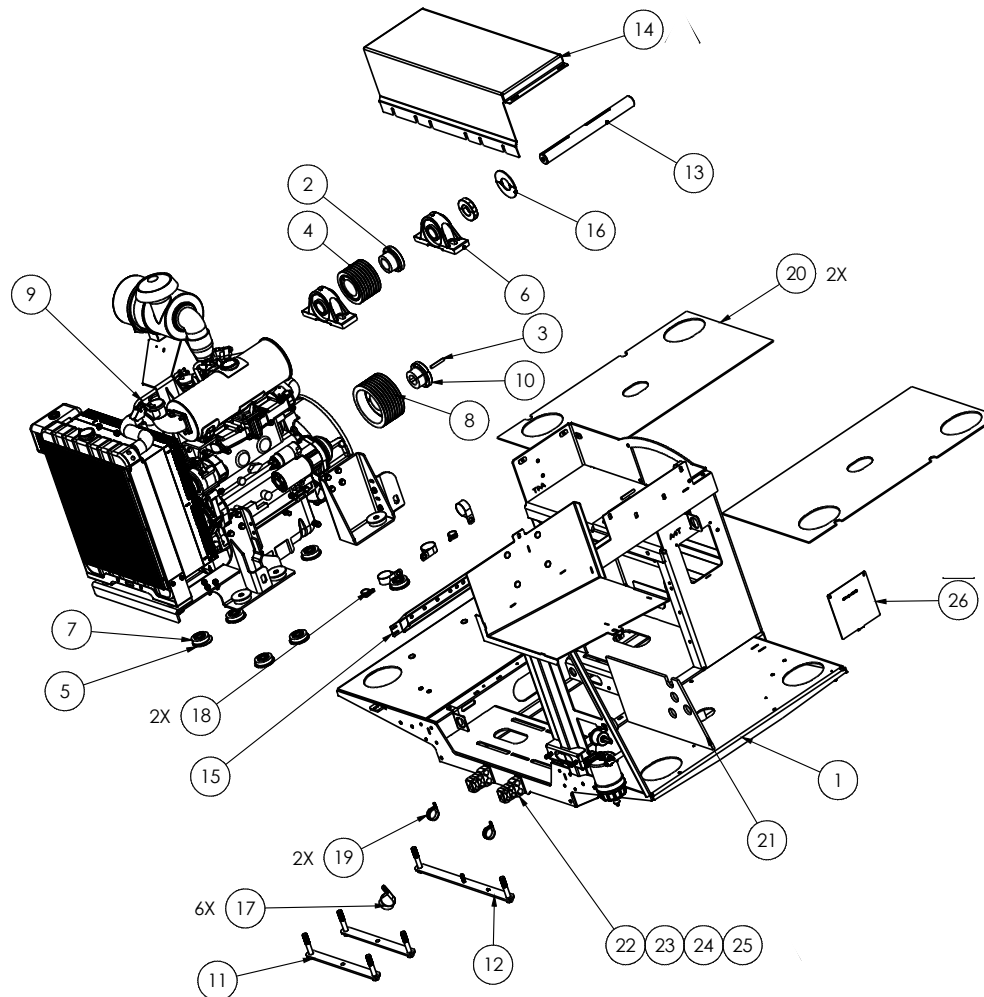
## 204R43 - MANIFOLD, HYD, DUAL BROOM

ITEM NO.	PART NUMBER	DESCRIPTION	QTY.
1	66648	HARNES, DUAL BROOM, DEUTSCH	1



# Section 6 - Power Module

## 204N76 - POWER MODULE T4I



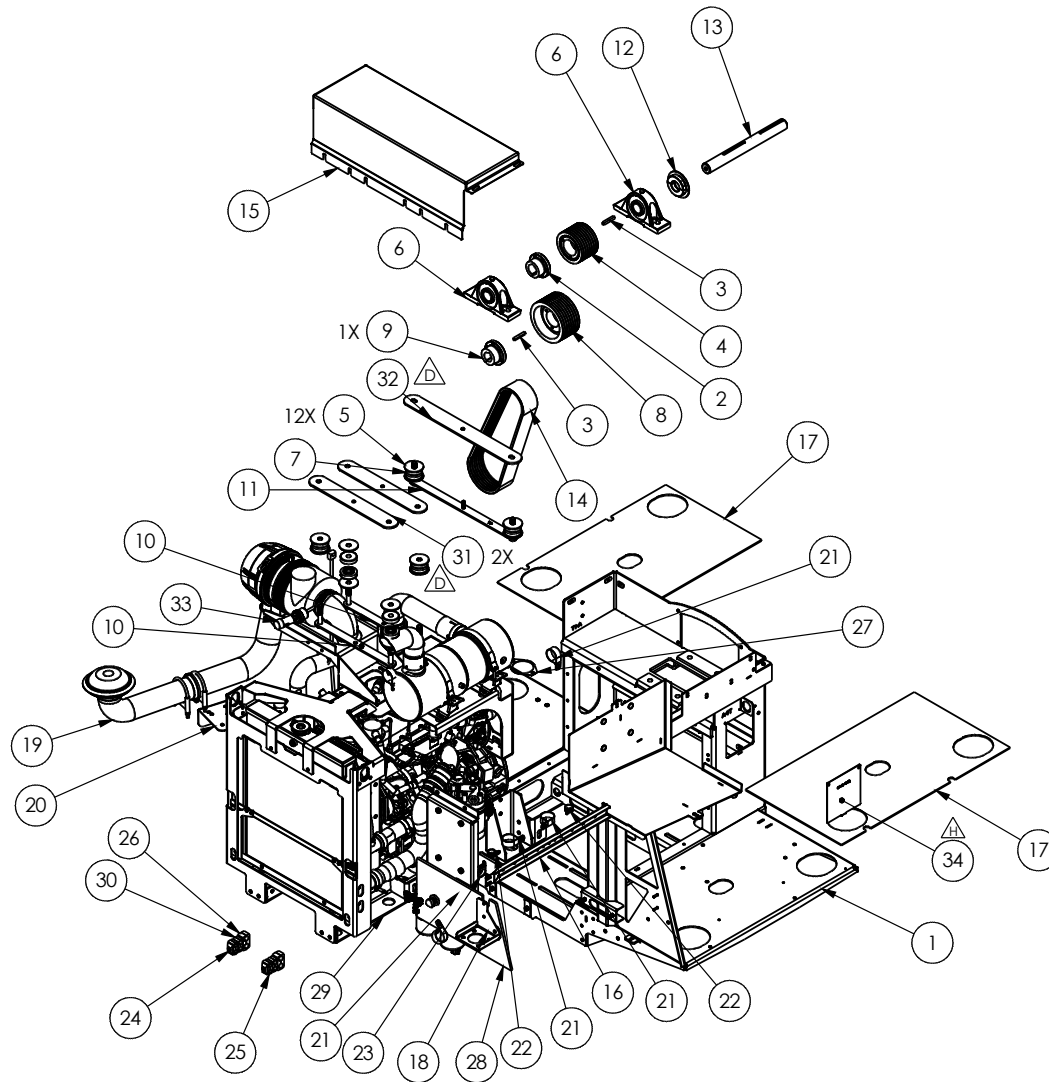
ITEM NO.	PART NUMBER	DESCRIPTION	QTY.
1	525359	A4T POWER MOD WELD	1
2	20495	BUSHING SK-1-11/16" TAPERED	1
3	5213706	KEY, 3/8 X 2-1/2"	2
4	59573	8/3V530 PULLEY SK	1
5	5212556	WASHER RUBBER ISOLATOR 2-7/8	12
6	20492	MPT 27 1-1/16 BEARING	2
7	27644	RUBBER ISOLATOR 440 LBS	12
8	59572	8/3V690 PULLEY SK	1
9	66131	ENGINE, YANMAR T3, A4	1
10	26644	SK 1-1/2" BUSHING	1
11	525185	SLIDER BAR, YANMAR	2
12	522808	FAN SHAFT 17" A4000	1
13	5211908	FAN SHAFT 17" A4000	1
14	5223083	BELT GUARD, A4T, S350T	1
15	5223666	BEAM, HOSE RETAINER, S350T/A4T	1
16	522725	SHAFT SLINGER 1-11/16 A4000	1
17	25092	CLAMP, 2" COATED	6
18	20140	CLAMP, 1.0" RUBBER LINED	2
19	20155	CLAMP, 1.50" RUBBER LINED	2
20	66509	POWER MODULE PAD, S350T, A4T	2
21	67444	PAD, WATER TANK, S350T/A4T	1
22	29469	CLAMP, TWIN TUBE, 3/4 PAIR	2
23	67313	CLAMP, TUBE, TWIN, 5/8 OD	2
24	28432	CLAMP, 1/2" TUBE, HALVES, TWIN	2
25	28431	CLAMP, TOP 1/2" HARDLINE	2
26	5224700	PLT, GREASE FITTING ACCESS	1

### ITEMS NOT SHOWN

ITEM NO.	PART NUMBER	DESCRIPTION	QTY.
27	59574	BELT, 8/3VX530	1
28	24287	AIR FILTER RESTRICTION INDICAT	1
29	26717	GASKET, SAE "A" FLANGE	1
30	66740	HARNES, SWEEPER, A4T/S350T	1

# Section 6 - Power Module

## 204T09 - POWER MODULE, CUMMINS T4F



ITEM NO.	PART NUMBER	QTY.	DESCRIPTION
1	525359	1	A4T POWER MOD WELD
2	20495	1	BUSHING SK-1-11/16" TAPERED
3	5213706	2	KEY, 3/8 X 2-1/2"
4	59573	1	8/3V530 PULLEY SK
5	5212556	12	WASHER RUBBER ISOLATOR 2-7\8
6	20492	2	MPT 27 1-11/16 BEARING
7	27644	12	RUBBER ISOLATOR 440 LBS
8	59572	1	8/3V690 PULLEY SK
9	26644	1	SK 1-1\2" BUSHING
10	525185	2	SLIDER BAR, YANMAR
11	522808	1	SLIDE BAR REAR
12	522725	1	SHAFT SLINGER 1-11\16 A4000
13	5211908	1	FAN SHAFT 17" A4000
14	59574	1	BELT, 8/3VX530
15	5223083	1	BELT GUARD, A4T, S350T
16	5223666	1	BEAM, HOSE RETAINER, S350T/A4T
17	66509	2	POWER MODULE PAD, S350T, A4T
18	5223261	1	BKT, HYD FILTER, A4T, CUMMINS
19	204R79	1	KIT, AIR BOX HOSE, A4T CUMMINS
20	5223265	1	BKT, AIR TUBE, A4T, CUMMINS
21	25092	6	CLAMP, 2" COATED
22	20140	2	CLAMP, 1.0" RUBBER LINED
23	20155	2	CLAMP, 1.50" RUBBER LINED
24	28431	2	CLAMP, TOP 1/2" HARDLINE
25	28432	2	CLAMP, 1/2" TUBE, HALVES, TWIN
26	29469	2	CLAMP, TWIN TUBE, 3/4 PAIR
27	26717	1	GASKET, SAE "A" FLANGE
28	67444	1	PAD, WATER TANK, S350T/A4T
29	204U83	1	INSTALL CUMM 2.8 S350/A4T
30	67313	2	CLAMP, TUBE, TWIN, 5/8 OD
31	5223699	2	SPACER, 2.8CUMMINS, FRONT
32	5223700	1	SPACER, 2.8CUMMINS, REAR
33	24287	1	AIR FILTER RESTRICTION INDICAT
34	5224700	1	PLT, GREASE FITTING ACCESS

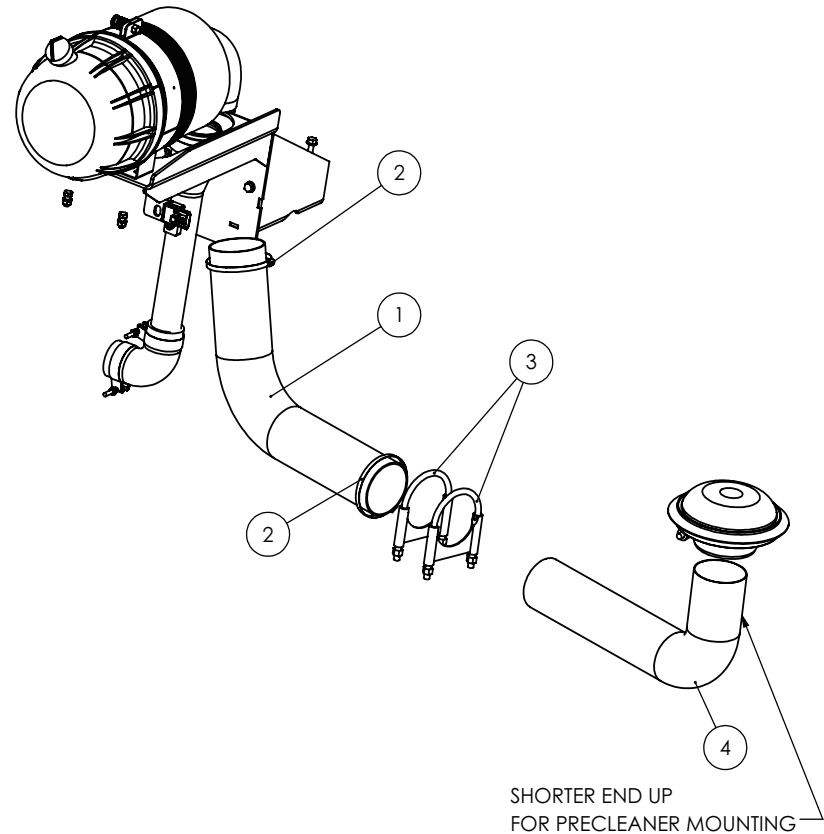
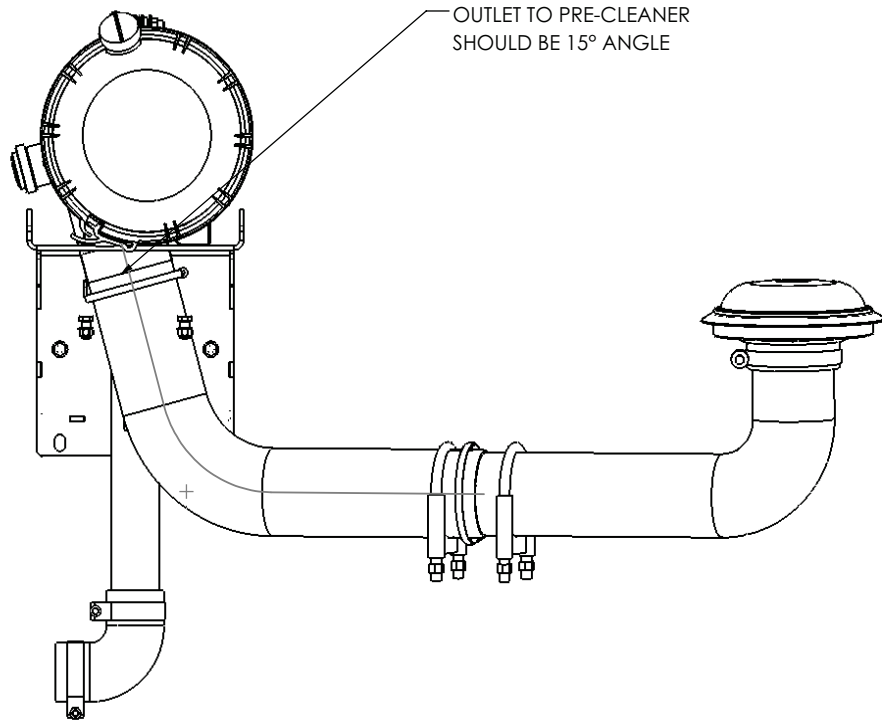
### ITEMS NOT SHOWN

ITEM NO.	PART NUMBER	QTY.	DESCRIPTION
35	66740	1	HARNES, SWEEPER, A4T/S350T
36	67787	1	HARNES, 23 POS/9 POS ASSY

# Section 6 - Power Module

## 204R79 - AIR BOX HOSE KIT

ITEM NO.	PART NUMBER	DESCRIPTION	QTY.
1	67063	3 1/2" FLEX HOSE, BLACK	1
2	20828	HOSE CLAMP 4"	2
3	20833	CLAMP, 3.5" U-BOLT	2
4	5223755	ELBOW, 3 1/2" 90, A4T	1



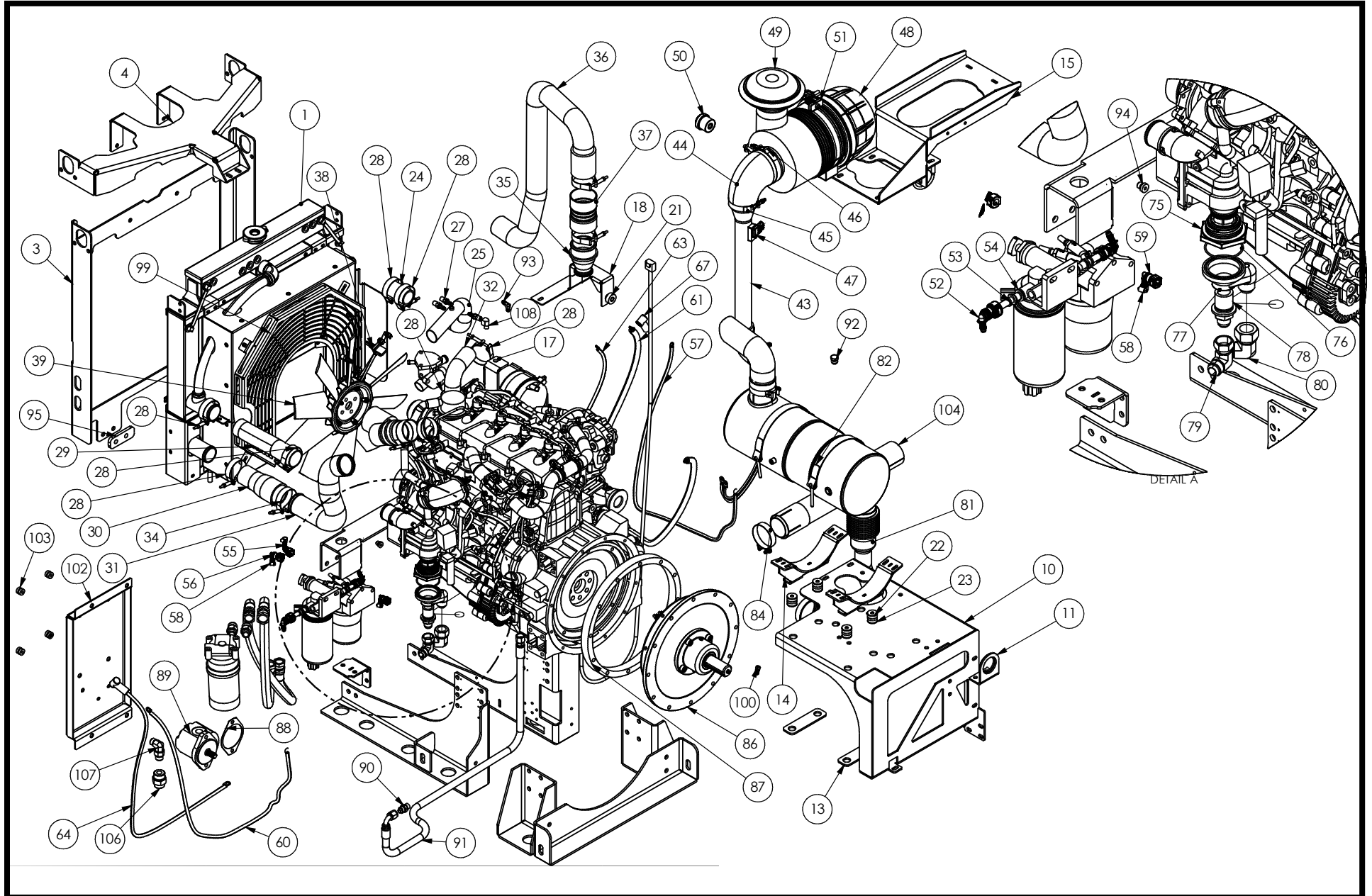
# Section 6 - Power Module

## 204U83 - CUMMINS ENGINE T4F

ITEM NO.	PART NUMBER	QTY	DESCRIPTION	ITEM NO.	PART NUMBER	QTY	DESCRIPTION	ITEM NO.	PART NUMBER	QTY	DESCRIPTION	ITEM NO.	PART NUMBER	QTY	DESCRIPTION
1	67496	1	RADIATOR, CUMMINS, 2.8L	35	67812	1	PIPE,AIR TRANSFER,CUMM 2.8	69	67728	1	SWITCH RELAY	106	62510	1	ADAPTER, 1" MORB X 3/4" MORFS
2	67779	1	ENGINE,CUMMINS 2.8L BASE	36	67860	1	TUBE, CAC INLET 2.8L	70	67712	1	COVER, FILTER HEAD	107	61047	1	ELBOW,90 1/2 MORFS X 5/8 MORB
3	5223899	1	FRAME,LIFTING,FRONT,CUMMINS	37	67507	1	3" HOT SIDE HUMP HOSE	71	67803	1	HOSE ASSY, 2.8L CUMMINS STAND	108	20133	1	ELBOW,90,1/4 MNPT X FNPT
4	525727	1	WELD,BKT,LIFT BRACE,CUMM 2.8	38	67797	1	SWITCH COOLANT LEVEL	72	67802	1	HOSE ASSY, 2.8 CUMMINS M	109	26852	2	PLUG, 1/4" BRASS
5	5223918	1	MOTOR MNT, RT, REAR CUMM 2.8	39	67504	1	FAN, CUMMINS,20" 2.8L	73	24490	2	ADAPTER,3/4 M.JIC X 5/8 MSAE	ITEMS NOT SHOWN			
6	5223965	1	MOTOR MNT, LT, REAR CUMM 2.8	40	67907	1	SPACER, FAN, 3",CUMMINS	74	67741	1	FILTER LUBE OIL	ITEM NO.	PART NUMBER	QTY	DESCRIPTION
7	525843	1	WLDMNT, ENG SPRT, LH CUMM 2.8	41	67806	1	HOSE ELBOW	75	67711	1	ADAPTER, FILTER HEAD	110	67864	60"	HOSE, 3/8 HEATER
8	525844	1	WLDMNT, ENG SPRT, RH CUMM 2.8	42	24884	2	2 1/2" T-BOLT CLAMP	76	67703	1	O-RING	111	67730	1	RELAY 12V CUMM 2.8
9	5223917	1	ENGINE MOUNT REAR, CUMM2.8	43	67646	1	TUBE, AIR INTAKE, CUMMINS 2.8	77	67713	1	COVER FILTER HEAD	112	67772	1	TAG BATTERY POSITIVE
10	525842	1	WLDMT, EMISSIONS, CUMM 2.8	44	67805	1	HOSE REDUCE ELBOW 4 TO 3	78	67717	1	ADAPTER FILTER HEAD	113	67827	1	HARNES, QSF2.8 T4F ENGINE
11	525850	1	WLDMNT LIFTING RING CUMM2.8	45	60812	1	3-1/2" T-BOLT CLAMP	79	20209	1	ELBOW 3/4 JIC X 3/4 SW 90°	114	67665	2	INSULATION WRAP, CUMMINS
12	525824	1	WLD,SUPP BKT,EMIS MNT,CUMM	46	60813	1	4-1/2" T-BOLT CLAMP	80	67887	1	FITTING 90 DEG ELBOW	115	67757	1	FITTING MALE, J2044 QUICK DIS
13	5223905	2	DBLR,EMMISSIONS MNT,CUMM 2.8	47	67724	1	SENSOR T-BAP	81	67792	1	TUBE, EXHAUST BELLOW A4 2.8L				
14	525847	2	WDMNT, EXHAUST BAND CUMM2.8	48	67478	1	AIR CLEANER ASM, AH19260	82	67738	2	CLAMP STRAP 13"				
15	525628	1	WELD, AIR CLN BRKT, A4T CUMMIN	49	67804	1	CAP, RAIN 3.75"	83	67791	1	TUBE FORMED EXHAUST S350/A4T				
16	525854	1	WLDMT, RAD BASE, CUMM A4	50	67737	1	RESTRICTION INDIC 25 H2O	84	67752	2	CLAMP FLAT BAND 3.125 ID				
17	5224006	1	BRKT, ISOLATOR,MNT,CUMMINS 2.8	51	67645	1	CLAMP, INTAKE, CUMMINS 2.8	85	67702	1	CLAMP, VBAND 3"				
18	5224052	1	BRKT A4 RAD ISOLATOR CUMM2.8	52	67735	2	QUICK CONNECT, FUEL 90 DEG	86	66129	1	COUPLING-PERKINS/YANMAR				
19	5223982	4	RADIATOR ISOLATOR WASHER	53	67709	2	CONNECTOR QCK DISCONNECT	87	67747	1	SPACER, PTO				
20	67719	2	ISOLATOR (RED)	54	67706	2	WASHER SEALING	88	26717	1	GASKET, SAE "A" FLANGE				
21	67720	1	ISOLATOR	55	67756	1	FITTING, 9.49 MM J2044	89	26304	1	HYD PUMP CCW				
22	67705	4	ISOLATOR, EXHAUST, TOP	56	67755	1	FITTING, 9.89 MM J2044	90	23069	1	CONNECTOR 1/2" JIC X 18MM 8M18F80MX-S				
23	67704	4	ISOLATOR, EXHAUST, BOTTOM	57	67766	1	WIRE ALTERNATOR NEGATIVE	91	29610	1	1/2" HOSE 48" 1/2" 90° X 1/2 S				
24	67722	6"	HOSE SILICONE	58	20150	10	HOSE CLAMP, #6	92	21263	1	PLUG 1/2" JIC (#8)				
25	67885	1	TUBE, JW OUTLET, 2.8 A4	59	67732	1	QUICK CONNECT, FUEL 90 DEG	93	67870	1	90 Deg .375" Hose ID .125				
26	67710	1	HOUSING THERMOSTAT	60	67767	1	WIRE GROUND	94	62532	1	PLUG M16 X 1.5 RES 2242				
27	20070	4	3/8 HOSE X 1/4 MALE PIPE HOSE	61	67769	1	WIRE ALT POSITIVE 250A FUSE	95	5224002	2	SPACER BLOCK RAD CUMM 2.8				
28	67753	8	CLAMP CONSTANT TORQUE 1.75"	62	67771	1	WIRE, S-TERMINAL	96	20831	1	CLAMP,2 1/2" MUFFLER U-BOLT				
29	67745	1	TUBE JW INLET	63	67765	1	WIRE ALT POSITIVE (GRID HEATER	97	5224042	1	BRACKET, INNER COOLER A4				
30	67649	2	FLEXFAB REDUCER 2.50 TO 2.00	64	67763	1	WIRE POSITIVE (GRID HEATER)	98	67856	2	CLAMP, 3.13 SLTB				
31	67886	1	TUBE, CAC OUTLET, 2.8 A4	65	67770	1	WIRE MAG SWITCH POSITIVE	99	5224134	1	RAD FAN GUARD CUMMINS W/RAD				
32	67746	1	90 DEG ELBOW 1-5/8	66	67725	1	SOLENOID, CUMMINS 2.8L ENGINE	100	23541	1	CONNECTOR, 1/4 TUBE 1/8 MPT				
33	67721	1	HOSE AIR INTAKE CAC	67	66510	5	BOOT, BATTERY, 2-2/0 RED	101	5224144	2	SPACER,RAD.BTM.A4,M6,CUMMINS				
34	67754	4	CLAMP, SLTB 2.75"	68	67739	2	ISOLATOR, LONG STUDS	102	5223900	1	MNT.ECU & FILTERS,CUMMINS 2.8				
								103	67740	4	ECU, ISOLATOR				
								104	67879	1	AFTERTREATMENT CUM 2.8L				
								105	5223577	1	GUARD, ENGINE FAN, CUMMINS				

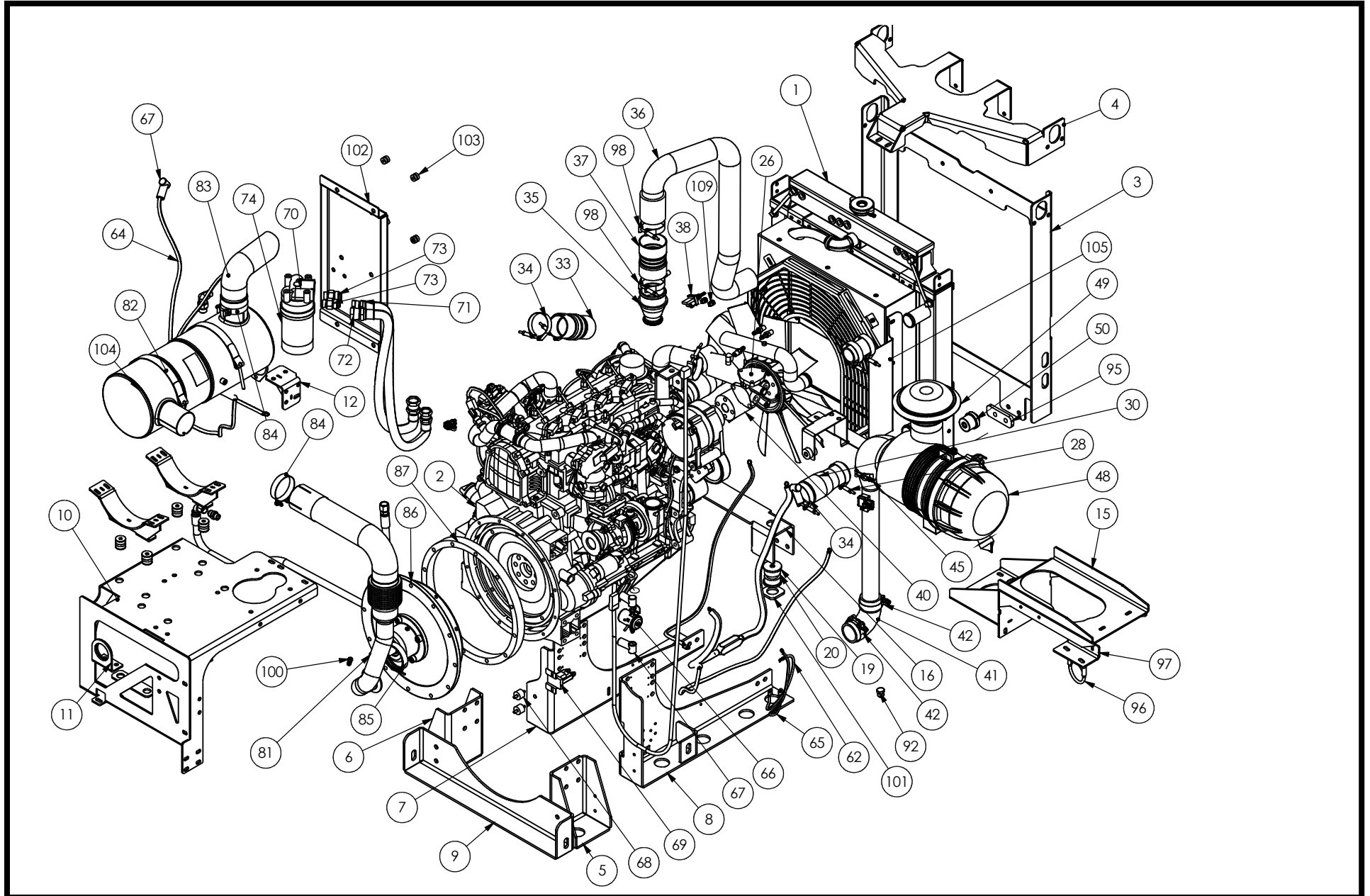
# Section 6 - Power Module

204U83 - CUMMINS ENGINE T4F



# Section 6 - Power Module

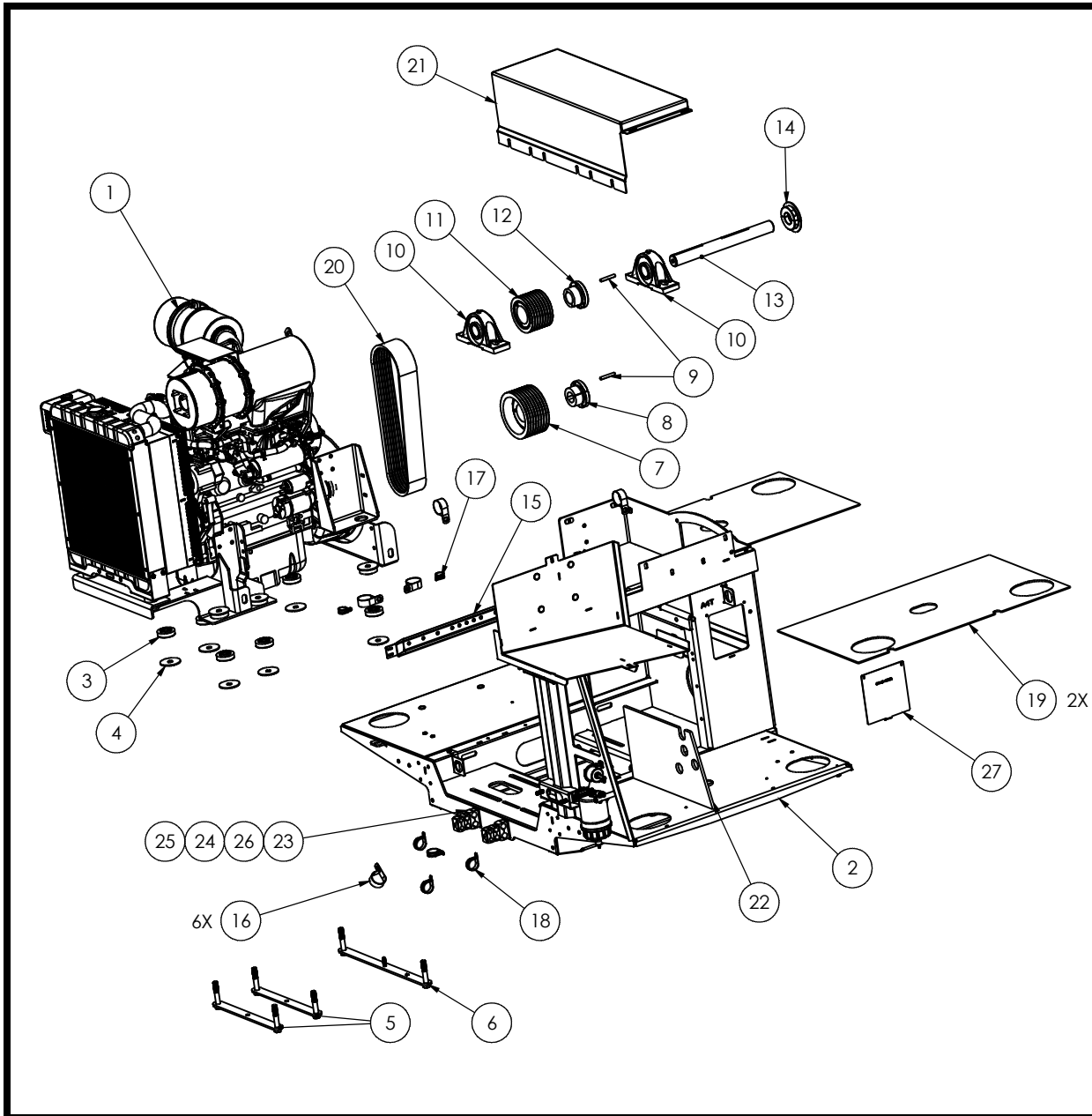
204U83 - CUMMINS ENGINE T4F





# Section 6 - Power Module

## 204N47 - POWER MODULE T4F



ITEM NO.	PART NUMBER	DESCRIPTION	QTY.
1	65968	ENGINE, YANMAR T4F, A4	1
2	525359	A4T POWER MOD WELD	1
3	27644	RUBBER ISOLATOR 440 LBS	12
4	5212556	WASHER RUBBER ISOLATOR 2-7\8	12
5	525185	SLIDER BAR, YANMAR	2
6	522808	SLIDE BAR REAR	1
7	59572	8/3V690 PULLEY SK	1
8	26644	SK 1-1\2" BUSHING	1
9	5213706	KEY, 3/8 X 2-1/2"	2
10	20492	MPT 27 1-11/16 BEARING	2
11	59573	8/3V530 PULLEY SK	1
12	20495	BUSHING SK-1-11/16" TAPERED	1
13	5211908	FAN SHAFT 17" A4000	1
14	522725	SHAFT SLINGER 1-11\16 A4000	1
15	5223666	BEAM, HOSE RETAINER, S350T/A4T	1
16	25092	CLAMP, 2" COATED	6
17	20140	CLAMP, 1.0" RUBBER LINED	2
18	20155	CLAMP, 1.50" RUBBER LINED	4
19	66509	POWER MODULE PAD, S350T, A4T	2
20	59574	BELT, 8/3VX530	1
21	5223083	BELT GUARD, A4T, S350T	1
22	67444	PAD, WATER TANK, S350T/A4T	1
23	29469	CLAMP, TWIN TUBE, 3/4 PAIR	2
24	28432	CLAMP, 1/2" TUBE, HALVES, TWIN	2
25	28431	CLAMP, TOP 1/2" HARDLINE	2
26	67313	CLAMP, TUBE, TWIN, 5/8 OD	2
27	5224700	PLT, GREASE FITTING ACCESS	1

### ITEMS NOT SHOWN

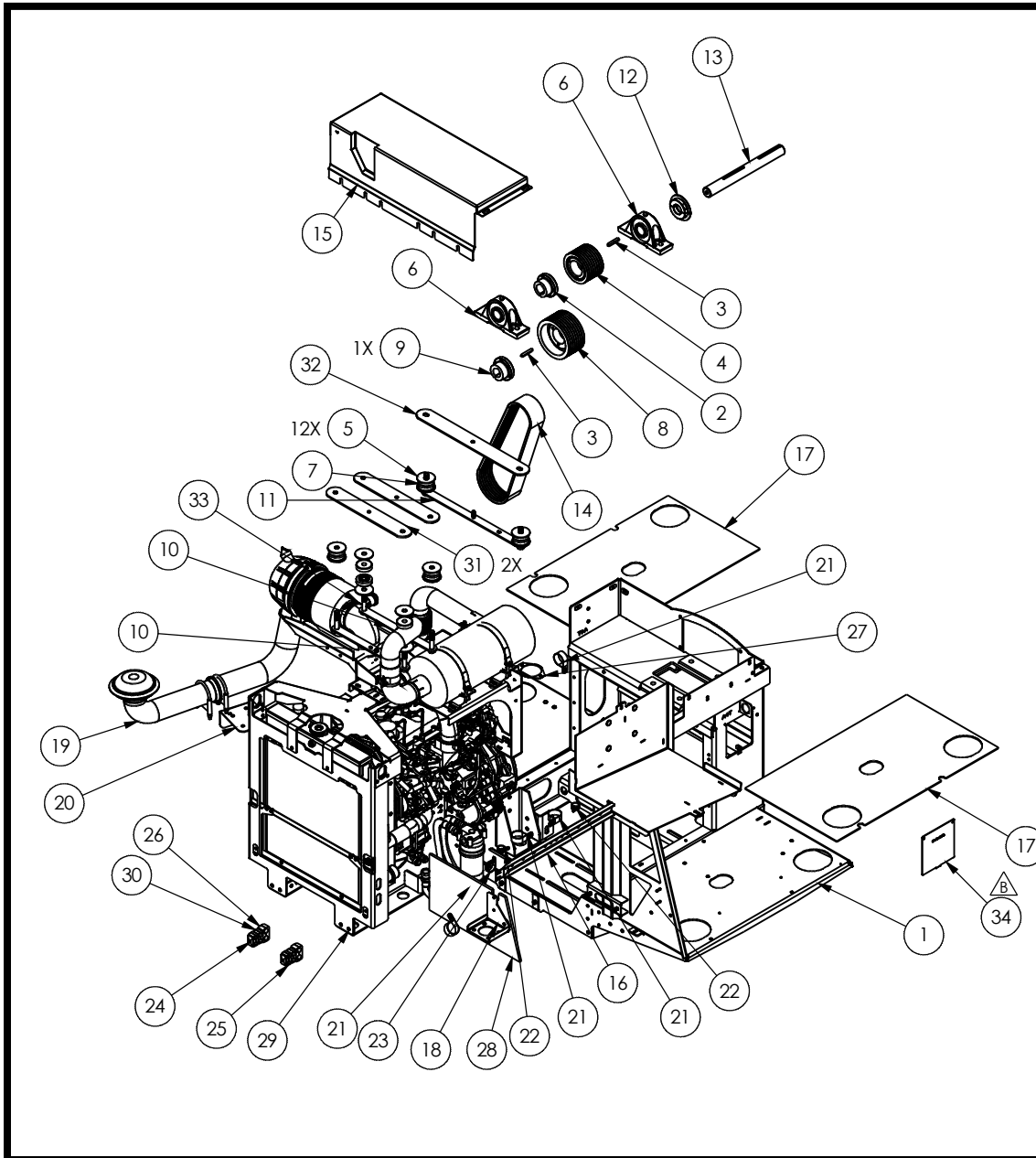
ITEM NO.	PART NUMBER	DESCRIPTION	QTY.
28	26717	GASKET, SAE "A" FLANGE	1
29	24287	AIR FILTER RESTRICTION INDICATOR	1
30	66740	HARNESS, SWEEPER, A4T/S350T	1

**Yanmar Filters**  
**66345 - Oil Filter**  
**66348 - Fuel Spinon**  
**66350 - Fuel Element**  
**66622 - Air Primary**  
**66621 - Air Secondary**



# Section 6 - Power Module

## 204X12 - POWER MODULE T3F



ITEM NO.	PART NUMBER	QTY.	DESCRIPTION
1	525359	1	A4T POWER MOD WELD
2	20495	1	BUSHING SK-1-11/16" TAPERED
3	5213706	2	KEY, 3/8 X 2-1/2"
4	59573	1	8/3V530 PULLEY SK
5	5212556	12	WASHER RUBBER ISOLATOR 2-7/8
6	20492	2	MPT 27 1-11/16 BEARING
7	27644	12	RUBBER ISOLATOR 440 LBS
8	59572	1	8/3V690 PULLEY SK
9	26644	1	SK 1-1\2" BUSHING
10	525185	2	SLIDER BAR, YANMAR
11	522808	1	SLIDE BAR REAR
12	522725	1	SHAFT SLINGER 1-11\16 A4000
13	5211908	1	FAN SHAFT 17" A4000
14	59574	1	BELT, 8/3VX530
15	526046	1	WELD, BELT GUARD, A4/350T, T3
16	5223666	1	BEAM, HOSE RETAINER, S350T/A4T
17	66509	2	POWER MODULE PAD, S350T, A4T
18	5223261	1	BKT, HYD FILTER, A4T, CUMMINS
19	204R79	1	KIT, AIR BOX HOSE, A4T CUMMINS
20	5223265	1	BKT, AIR TUBE, A4T, CUMMINS
21	25092	6	CLAMP, 2" COATED
22	20140	2	CLAMP, 1.0" RUBBER LINED
23	20155	2	CLAMP, 1.50" RUBBER LINED
24	28431	2	CLAMP, TOP 1/2" HARDLINE
25	28432	2	CLAMP, 1/2" TUBE, HALVES, TWIN
26	29469	2	CLAMP, TWIN TUBE, 3/4 PAIR
27	26717	1	GASKET, SAE "A" FLANGE
28	67444	1	PAD, WATER TANK, S350T/A4T
29	204X07	1	INSTALL CUMM 2.8 TIER 3
30	67313	2	CLAMP, TUBE, TWIN, 5/8 OD
31	5223699	2	SPACER,2.8CUMMINS,FRONT
32	5223700	1	SPACER,2.8CUMMINS,REAR
33	24287	1	AIR FILTER RESTRICTION INDICAT
34	5224700	1	PLT, GREASE FITTING ACCESS

### ITEMS NOT SHOWN

ITEM NO.	PART NUMBER	QTY.	DESCRIPTION
35	66740	1	HARNES, SWEEPER, A4T/S350T
36	67787	1	HARNES,23 POS/9 POS ASSY

# Section 6 - Power Module

## 204X07 - CUMMINS ENGINE T3

2	5223918	MOTOR MNT, RT, REAR CUMM 2.8	1
3	5223965	MOTOR MNT, LT, REAR CUMM 2.8	1
4	5223917	ENGINE MOUNT REAR, CUMM2.8	1
5	525843	WLDMNT, ENG SPRT, LH CUMM 2.8	1
6	525844	WLDMNT, ENG SPRT, RH CUMM 2.8	1
7	525854	WLDMT, RAD BASE, CUMM A4	1
8	525824	WLD.SUPP BKT,EMIS MNT,CUMM	1
9	67747	SPACER, PTO	1
10	66129	COUPLING-PERKINS/YANMAR	1
11	526031	WLDMT, EMISSIONS, CUMM 2.8 T3	1
12	525850	WLDMNT LIFTING RING CUMM2.8	1
13	5224513	BRKT, ISOLATOR, CUMMIN 2.8 T3	1
14	526033	WELD, AIR CLN BRKT, CUMMIN T3	1
15	67645	CLAMP, INTAKE, CUMMINS 2.8	1
16	67478	AIR CLEANER ASM, AH19260	1
17	67805	HOSE REDUCE ELBOW 4 TO 3	1
18	67806	HOSE ELBOW	1
19	68408	INLET PIPE, TURBO-CLEANER, T3	1
20	67737	RESTRICTION INDIC 25 H2O	1
21	24884	2 1/2" T-BOLT CLAMP	2
22	60813	4-1/2" T-BOLT CLAMP	1
23	525847	WDMNT, EXHAUST BAND CUMM2.8	2
24	5223905	DBLR,EMMISSIONS MNT,CUMM 2.8	2
25	67907	SPACER, FAN, 3",CUMMINS	1
26	67504	FAN, CUMMINS,20" 2.8L	1
27	67719	ISOLATOR (RED)	2
28	5224144	SPACER,RAD.BTM,A4,M6,CUMMINS	2
29	5223982	RADIATOR ISOLATOR WASHER	4
30	67496	RADIATOR, CUMMINS, 2.8L	1
31	5224134	RAD FAN GUARD CUMMINS W/RAD	1
32	5223899	FRAME,LIFTING,FRONT,CUMMINS	1
33	5224544	GUARD, ENGINE FAN, CUM-T3	1
34	526032	BKT, LIFT BRACE,CUMM 2.8 T3	1
35	5224052	BRKT A4 RAD ISOLATOR CUMM2.8	1
36	67722	HOSE SILICONE	1
37	67885	TUBE, JW OUTLET, 2.8 A4	1
38	67746	90 DEG ELBOW 1-5/8	1
39	20133	ELBOW,90,1/4 MNPT X FNPT	1
40	20070	3/8 HOSE X 1/4 MALE PIPE HOSE	3
41	67797	SWITCH COOLANT LEVEL	1
42	26852	PLUG, 1/4" BRASS	3
43	67745	TUBE JW INLET	1
44	68381	PUSH-ON CAP, 2"	2
45	67705	ISOLATOR, EXHAUST, TOP	4
46	67818	LOW SULFUR MUFFLER CUM 2.8L	1
47	67821	OD/OD 90 DEG 6R 3"	1
48	67791	TUBE FORMED EXHAUST S350/A4T	1
49	68409	EXHAUST ASSEM, CUMMIN T-3	1
50	26717	GASKET, SAE "A" FLANGE	1

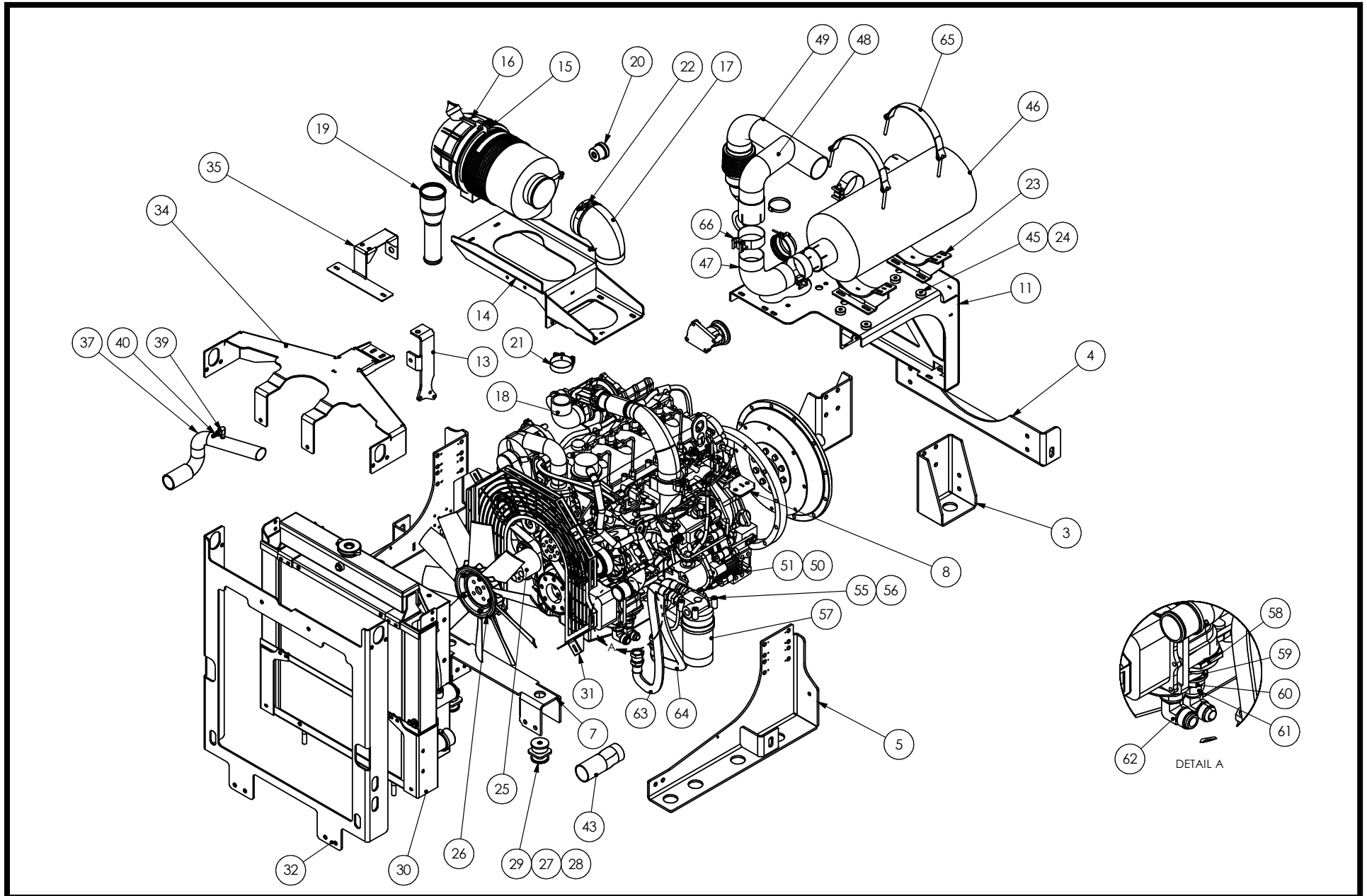
52	67725	SOLENOID, CUMMINS 2.8L ENGINE	1
53	67739	ISOLATOR , LONG STUDS	2
54	67728	SWITCH RELAY	1
55	67712	COVER, FILTER HEAD	1
56	24490	ADAPTER,3/4 M.JIC X 5/8 MSAE	2
57	67741	FILTER LUBE OIL	1
58	67711	ADAPTER, FILTER HEAD	1
59	67713	COVER FILTER HEAD	1
60	67717	ADAPTER FILTER HEAD	1
61	20209	ELBOW 3/4 JIC X 3/4 SW 90°	1
62	67887	FITTING 90 DEG ELBOW	1
63	67802	HOSE ASSY, 2.8 CUMMINS M	1
64	67803	HOSE ASSY, 2.8L CUMMINS STANDA	1
65	67738	CLAMP STRAP 13"	2
66	67819	CLAMP, ACCUSEAL 3 IN (76 MM)	3
67	68732	KIT, EXHAUST OUTLET CONNECTIO	1

### ITEM NOT SHOWN

ITEM NO.	PART NUMBER	DESCRIPTION	QTY.
68	67763	WIRE POSITIVE (GRID HEATER)	1
69	67765	WIRE ALT POSITIVE (GRID HEATER)	1
70	67766	WIRE ALTERNATOR NEGATIVE	1
71	67767	WIRE GROUND	1
72	67769	WIRE ALT POSITIVE 250A FUSE	1
73	67770	WIRE MAG SWITCH POSITIVE	1
74	67771	WIRE, S-TERMINAL	1
75	23069	CONNECTOR 1/2" JIC X 18MM	1
76	29610	1/2" HOSE 48" 1/2" 90° X 1/2 S	1
77	67702	CLAMP, VBAND 3"	1
78	21263	PLUG 1/2" JIC (#8)	1
79	61047	ELBOW,90 1/2 MORFS X 5/8 MORB	1
80	62510	ADAPTER, 1" MORB X 3/4" MORFS	1
81	23541	CONNECTOR, 1/4 TUBE 1/8 MPT	1
82	5224539	MNT.ECU & FILTERS,CUMM-T3	1
83	68407	PUSH-ON CAP, HI-TEMP, 5/8	1
84	60812	3-1/2" T-BOLT CLAMP	1
85	67720	ISOLATOR	1
86	67704	ISOLATOR, EXHAUST, BOTTOM	4
87	20821	HOSE CLAMP 2"	4
88	20582	COPPER WRAP	5 FT
89	68480	STUD, TURBO/EXHAUST	1
90	68481	FLANGE NUT, HEX, M8x1.25	1
91	68482	SCREW, HEX FLANGE, M8x1.25 x 30mm	2
92	68483	GASKET, EXH OUTLET CONNECTION	1
93	68484	SCREW, HEX FLANGE, M8x1.25 x 45mm	1
94	68485	CONNECTION, TURBO/EXHAUST OUTLET	1

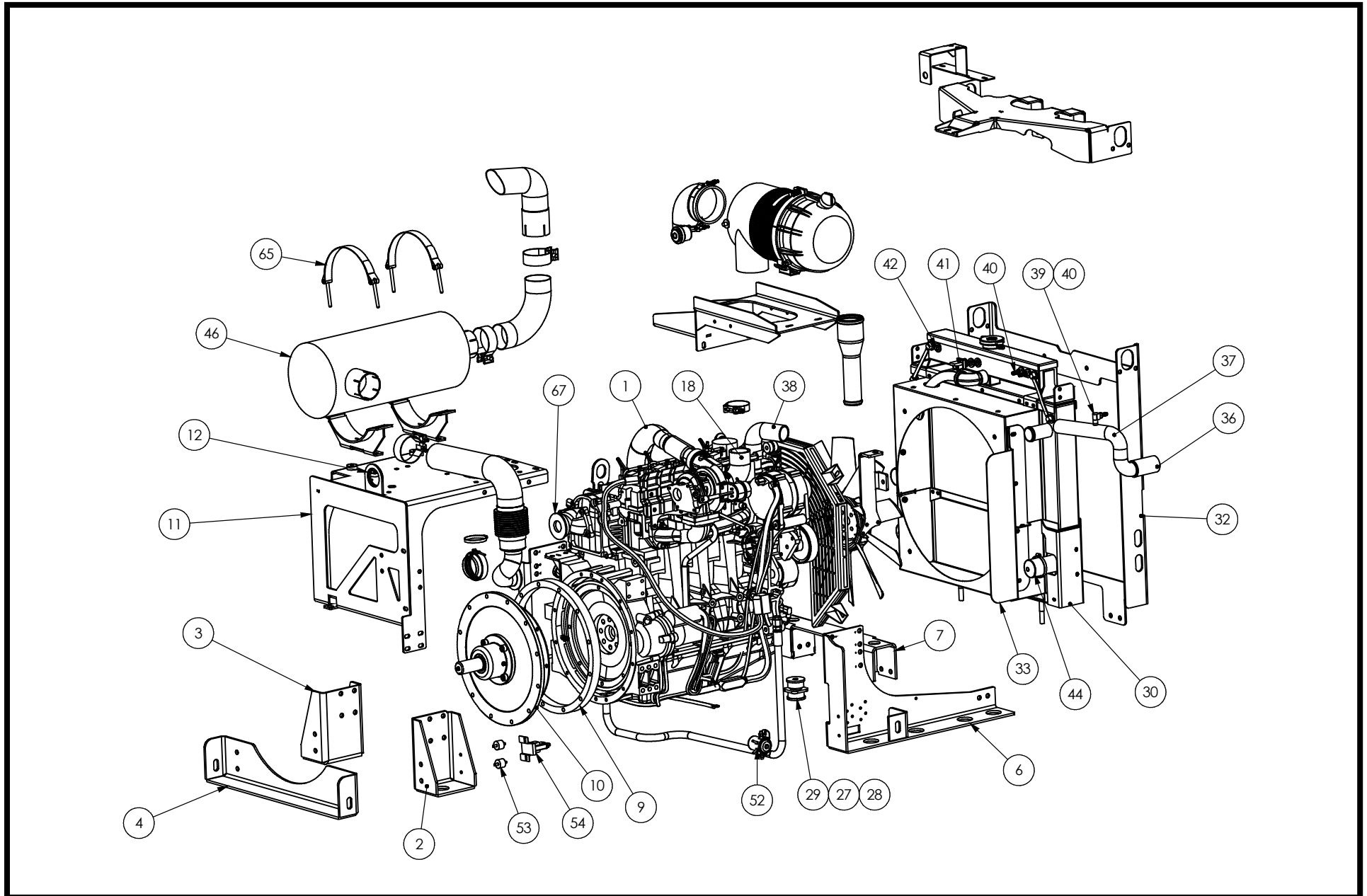
# Section 6 - Power Module

204X07 - CUMMINS ENGINE T3



# Section 6 - Power Module

204X07 - CUMMINS ENGINE T3



# Schematics

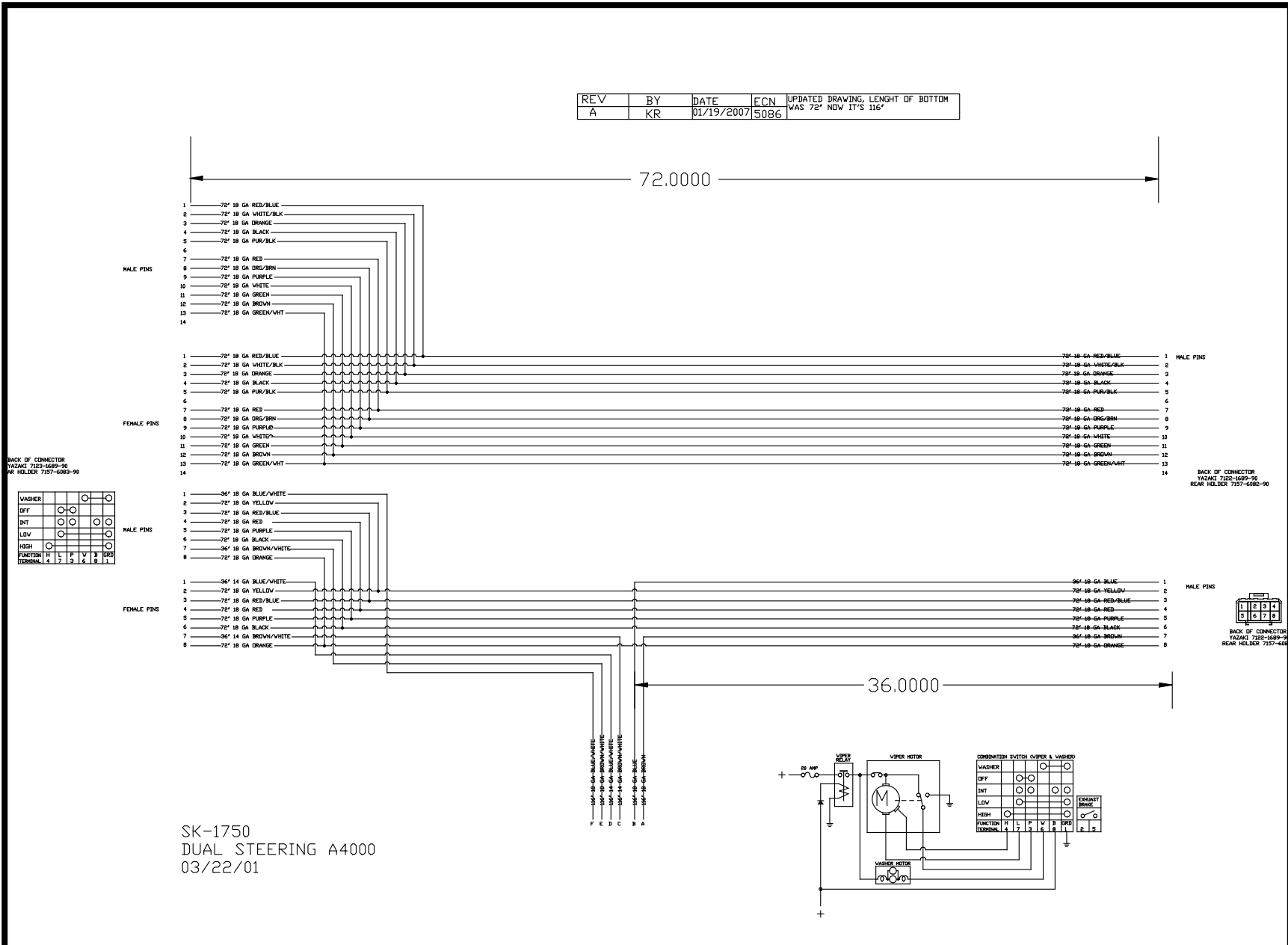
---

7

# Section 7 - Schematics

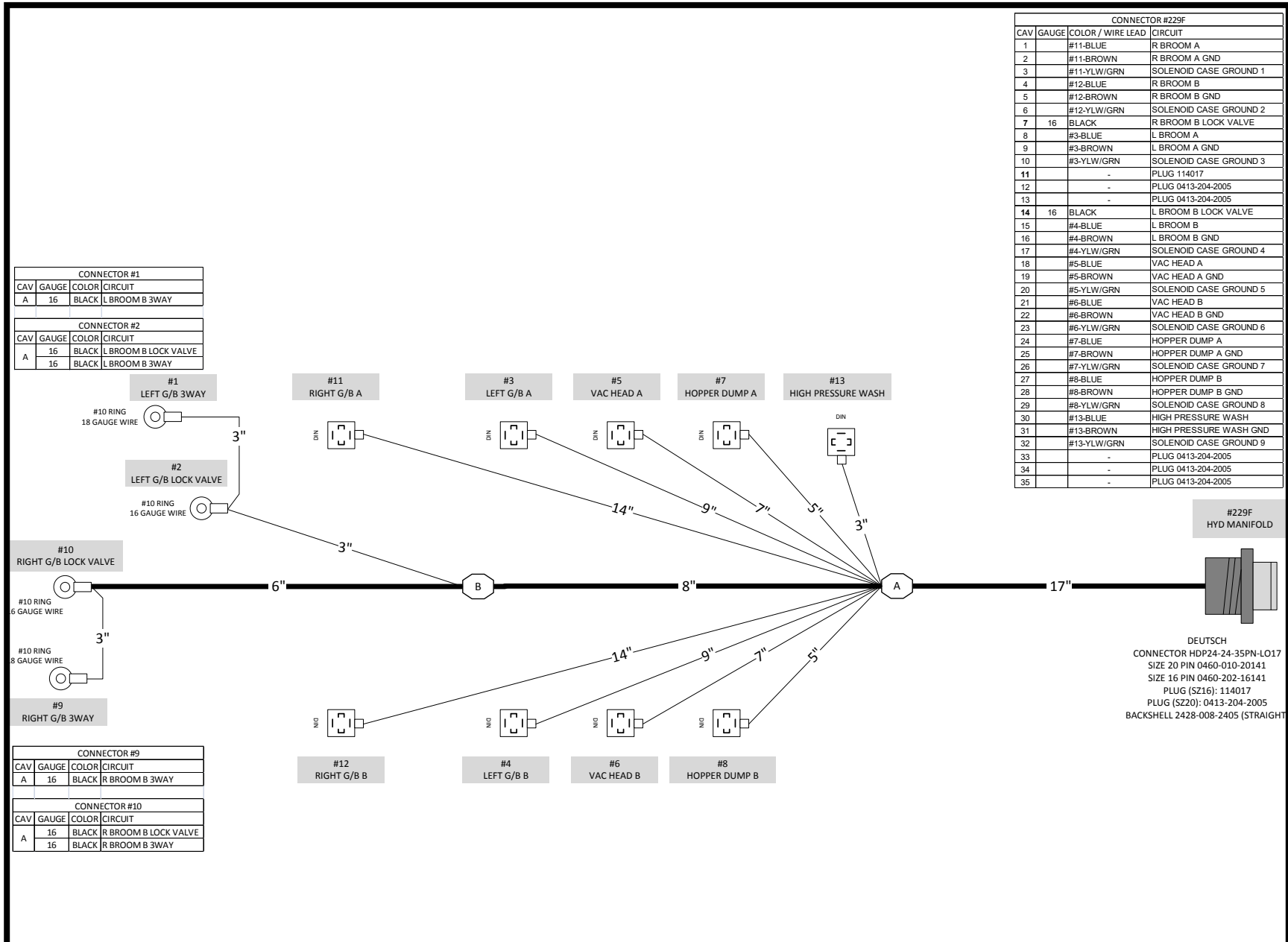
## SK-1750 - Dual Steering Wiring Harness

REV	BY	DATE	ECN	DESCRIPTION
A	KR	01/19/2007	5086	UPDATED DRAWING, LENGHT OF BOTTOM WAS 72' NOW IT'S 116'



# Section 7 - Schematics

## 66374 - HARNESS, HYD MAN, DUAL G/B



# Section 7 - Schematics

## 66375 - HARNESS, HYD MAN, SINGLE G/B

